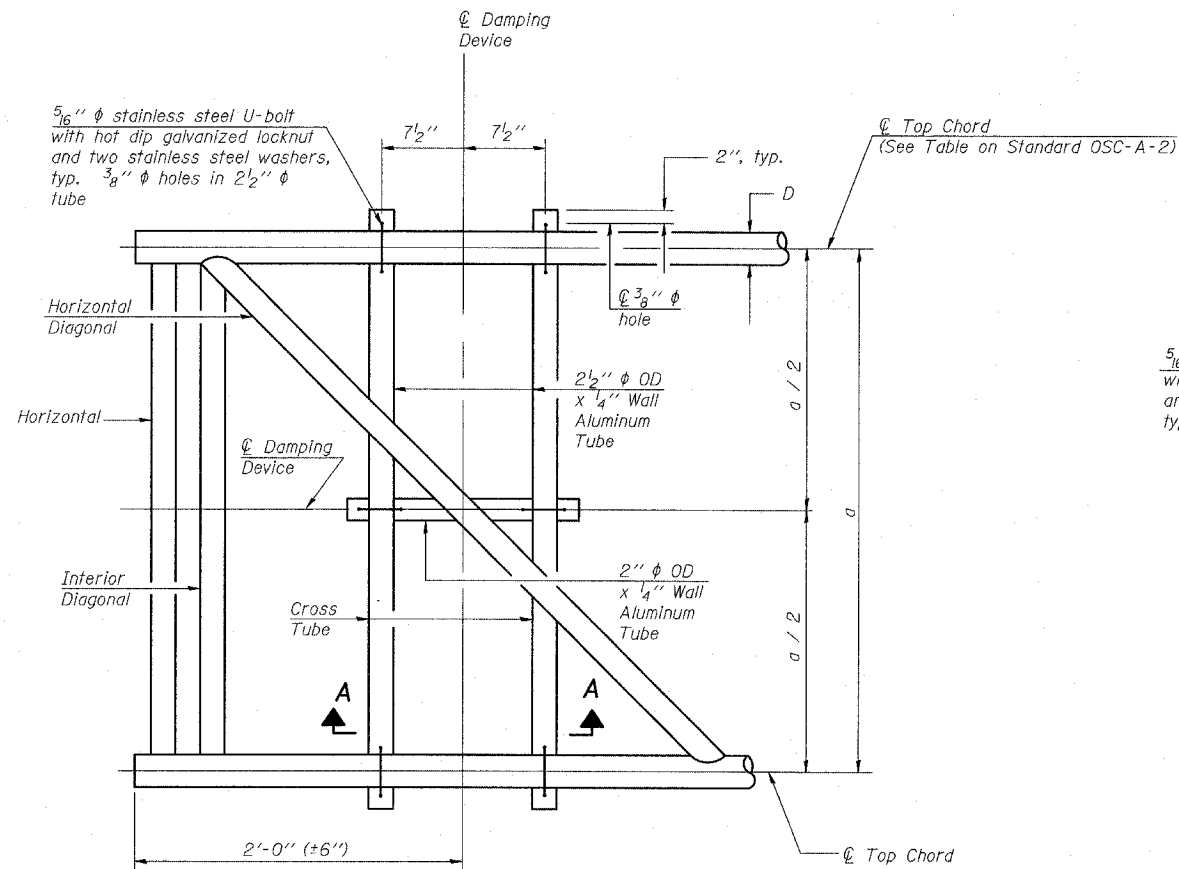
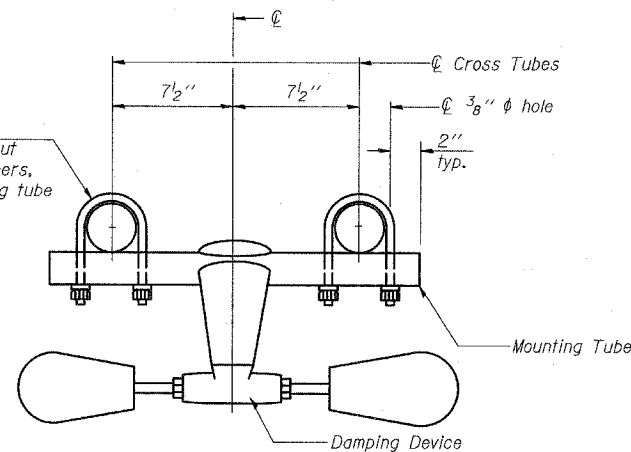


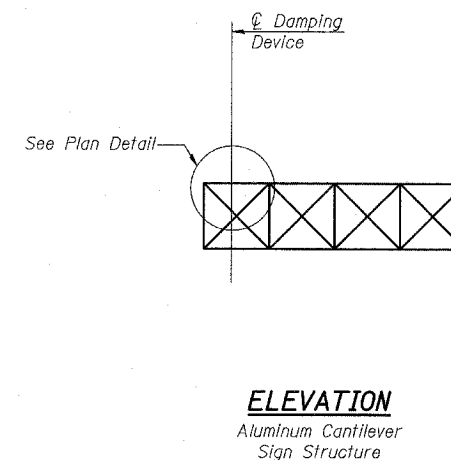
| | | | | |
|---------------------|---------|--------|---------------------------------|--------------------|
| F.A.P. RTE. | SECTION | COUNTY | TOTAL SHEETS | SHEET NO. |
| 346 | | LAKE | 469 | 13 |
| STA. | TO STA. | | FED. ROAD DIST. NO. D-91-404-99 | FED. AID PROJ. NO. |
| | | | ILLINOIS | CONTRACT # 601 |
| • 125X-HB-(1&2) R-1 | | | | |



PLAN DETAIL

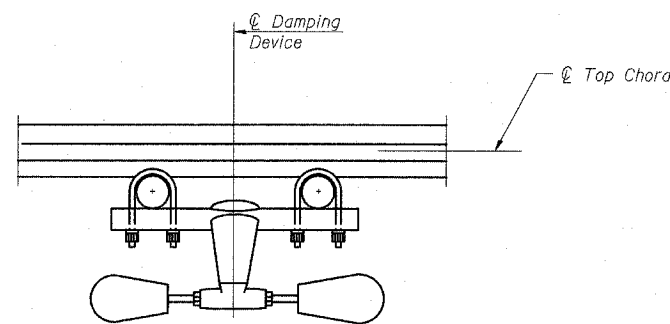


TRUSS DAMPING DEVICE CONNECTION DETAIL

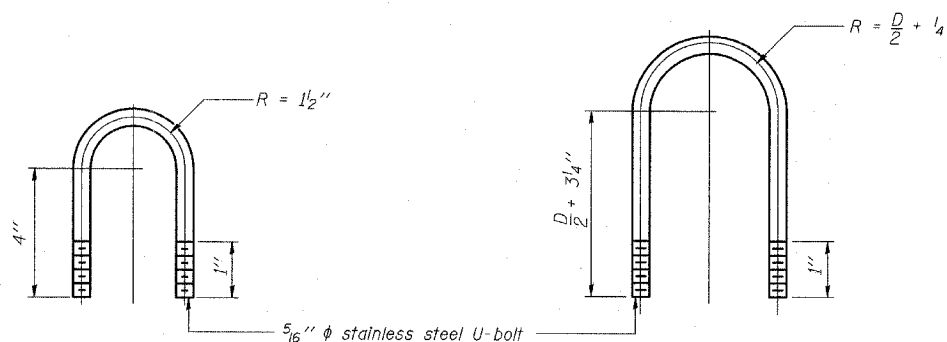


GENERAL NOTES

- Damper: One damper per truss. (31 lbs. Stockbridge-Type Aluminum-29" minimum between ends of weights)
- Materials: Aluminum tubes shall be ASTM B221 alloy 6061 temper T6



SECTION A-A



DAMPING DEVICE MOUNTING TUBE U-BOLT DETAIL
(Typical)

TOP CHORD TO CROSS TUBE U-BOLT DETAIL
(Typical)

OSC-A-D

6/01/2007

| REVISIONS | |
|-----------|------|
| NAME | DATE |
| | |
| | |
| | |
| | |
| | |
| | |
| | |
| | |
| | |
| | |

ILLINOIS DEPARTMENT OF TRANSPORTATION
U.S. 41 (SKOKIE HIGHWAY)
AT IL ROUTE 132
CANTILEVER SIGN STRUCTURE
DAMPING DEVICE

SCALE: N.T.S. DRAWN BY: JF, AF
DATE: MAY 12, 2008 CHECKED BY: MAF

| | |
|-----------|--|
| DATE | |
| BY | |
| REVISIONS | |
| PLotted | |
| Checked | |
| Approved | |
| Drawn | |
| Scale | |
| Note | |
| No. | |

| | |
|-----------|--|
| DATE | |
| BY | |
| REVISIONS | |
| Plotted | |
| Checked | |
| Approved | |
| Drawn | |
| Scale | |
| Note | |
| No. | |