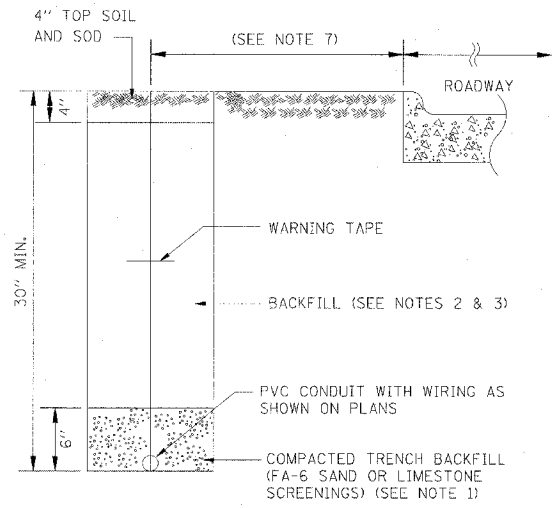
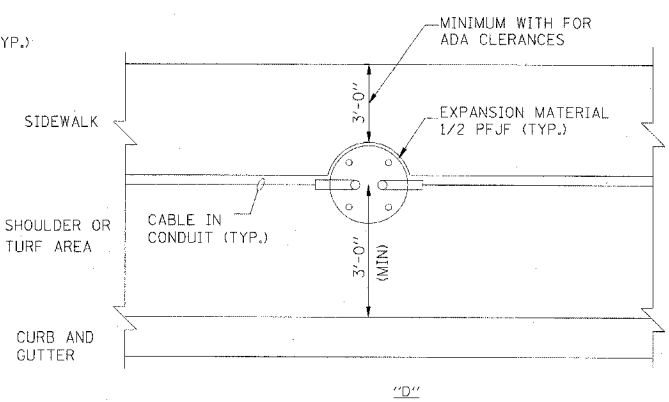
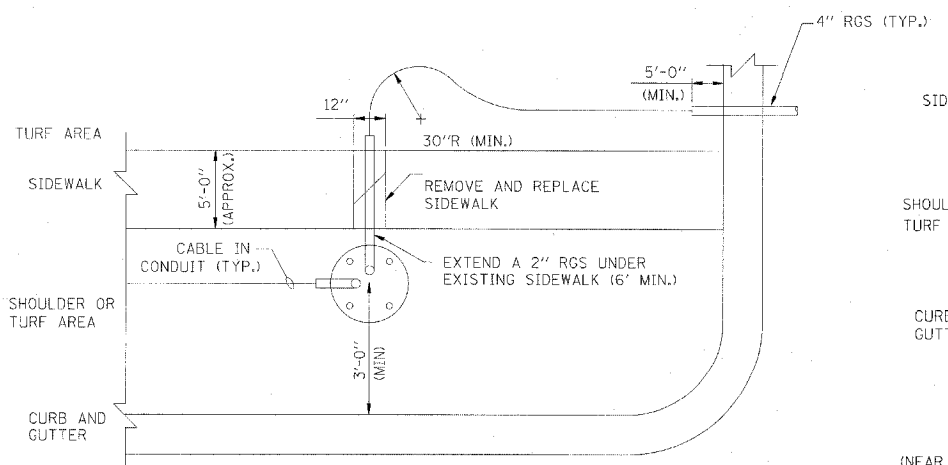
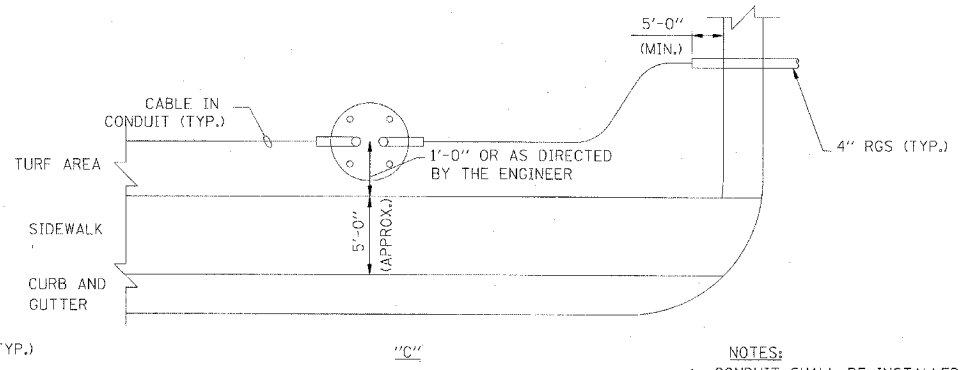
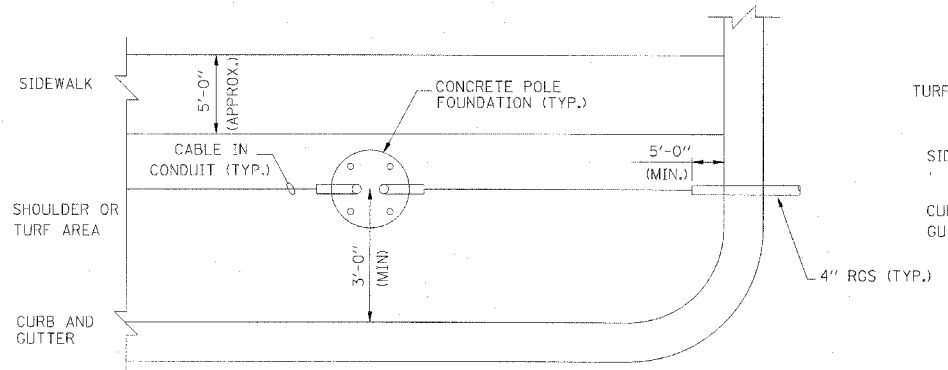


F.A.P. RTE.	SECTION	COUNTY	TOTAL SHEETS	SHEET NO.
120		LAKE	469	151
STA.	TO STA.			
FED. ROAD DIST. NO. 0-91-404-99		ILLINOIS	FED. AID PROJECT	
• 125X-HB-(1&2) R-1				



- NOTES:**
- CONDUIT INSTALLED IN TRENCHES SHALL BE COVERED WITH A MINIMUM OF 6" OF COMPACTED FA-6 OR LIMESTONE SCREENINGS.
  - IN GRASSY AREAS, THE BACKFILL MAY BE COMPACTED EARTH.
  - TRENCHES WITHIN 2' OF PROPOSED OR EXISTING STREETS, DRIVEWAYS, OR SIDEWALKS SHALL BE BACKFILLED WITH COMPACTED FA-6 SAND OR LIMESTONE SCREENINGS.
  - WHERE 2 OR MORE CONDUITS RUN ADJACENT TO EACH OTHER, THEY SHALL BE PLACED IN A COMMON TRENCH SO AS NOT TO CROSS EACH OTHER.
  - 6" WIDE REINFORCED METALLIC WARNING TAPE, RED WITH BLACK LETTERING TO READ "CAUTION-ELECTRICAL LINE BURIED BELOW". WARNING TAPE TO BE PLACED 1' MINIMUM TO 2' MAXIMUM BELOW FINISHED GRADE.
  - ALL GRASSY AREAS DISTURBED DURING CONSTRUCTION SHALL BE RESTORED WITH 4" OF TOPSOIL AND SOD.
  - EXACT DISTANCE SHALL BE FIELD COORDINATED.

1 TYPICAL CONDUIT TRENCH DETAIL  
NOT TO SCALE



- NOTES:**
- CONDUIT SHALL BE INSTALLED MIN. 2'-0" FROM PAVEMENT EDGE.
  - CONTRACTOR SHALL MAKE AN EFFORT TO INSTALL RCS CONDUITS (UNDER DRIVEWAYS OR ROADWAY) AT THE SAME SIDE OF THE SIDEWALK AS THE POLE FOUNDATION (DETAIL "A").
  - WHEN ITS NECESSARY TO CROSS THE EXISTING SIDEWALK, CONTRACTOR SHALL INSTALL A 4" RCS CONDUIT PERPENDICULAR TO THE SIDEWALK (DETAIL "B").
  - WHEN LOCATION OF A POLE FOUNDATION FALLS COMPLETELY WITHIN THE EXISTING SIDEWALK, CONTRACTOR SHALL CONSTRUCT THE FOUNDATION AT THE SIDE OF SIDEWALK AWAY FROM THE ROAD (DETAIL "C"). WHEN PARTIAL OVERLAP OCCURS, CONTRACTOR SHALL CONSTRUCT THE POLE FOUNDATION AS SHOWN ON DETAIL "D".
  - LOCATIONS SHOWN IN DETAILS ARE APPROXIMATE AND SHALL BE FIELD COORDINATED DURING CONSTRUCTION.

2 TYPICAL CONDUIT INSTALLATION PLAN VIEWS  
NOT TO SCALE

PLAN	DATE
BY	
REVISIONS	
NO. 1	
NO. 2	
NO. 3	
NO. 4	
NO. 5	
NO. 6	
NO. 7	
NO. 8	
NO. 9	
NO. 10	

PROFILE	DATE
BY	
REVISIONS	
NO. 1	
NO. 2	
NO. 3	
NO. 4	
NO. 5	
NO. 6	
NO. 7	
NO. 8	
NO. 9	
NO. 10	

PLOT DATE = 08/07/08  
FILE NAME = 01114



REVISIONS	
NAME	DATE

ILLINOIS DEPARTMENT OF TRANSPORTATION  
U.S. 41 (SKOKIE HIGHWAY)  
AT IL ROUTE 132  
ELECTRICAL DETAILS

SCALE: NOT TO SCALE  
DATE: 05/07/08

DRAWN BY: FO  
CHECKED BY: DEM