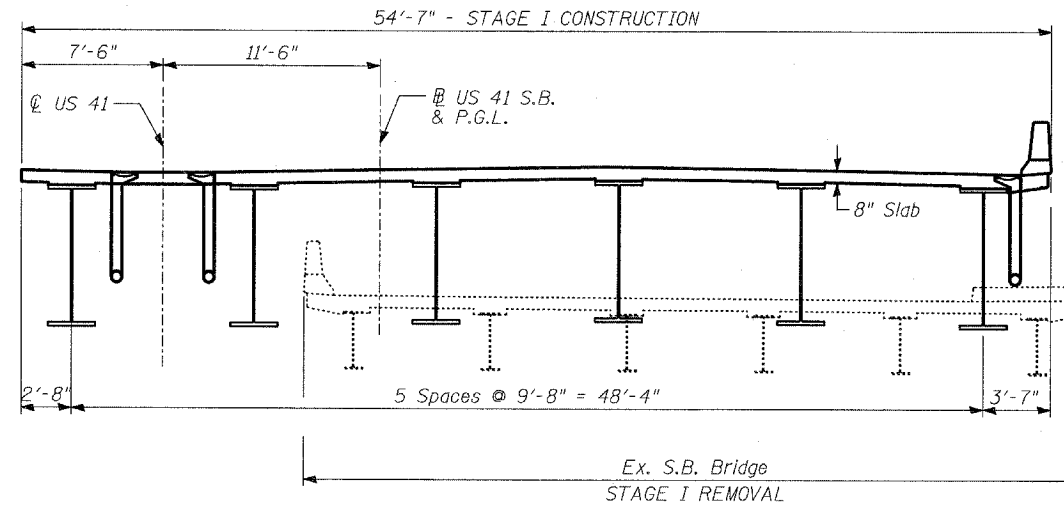
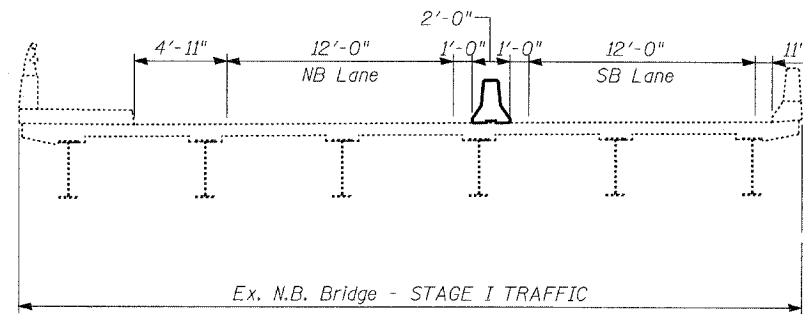
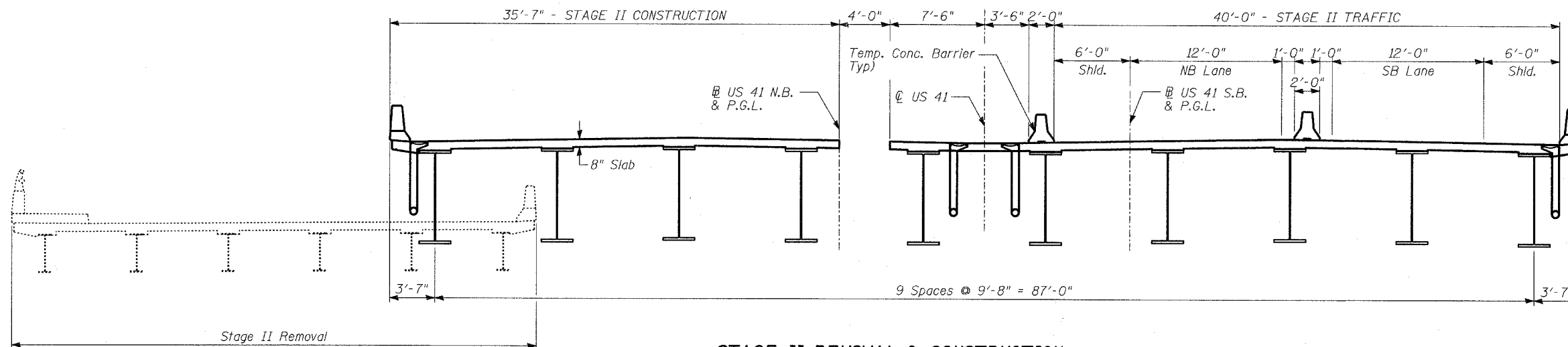


STATE OF ILLINOIS
DEPARTMENT OF TRANSPORTATION

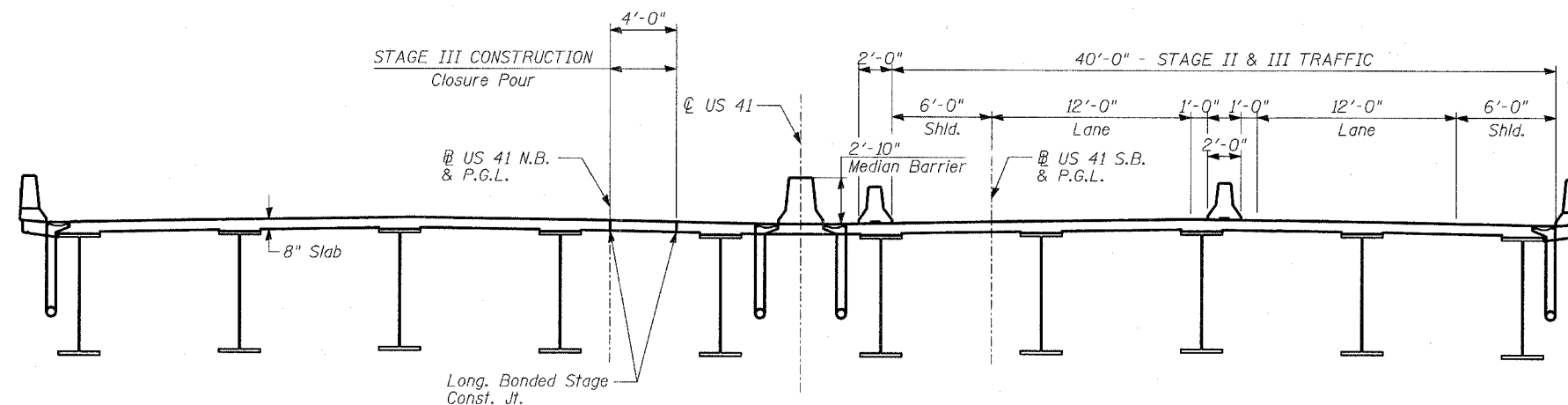
ROUTE NO.	SECTION	COUNTY	TOTAL SHEETS	SHEET	SHEET NO. - S-4
346	*	LAKE	469	173	S-86 SHEETS
FED. ROAD DIST. NO.		ILLINOIS	FED. AID PROJECT-		
* 125X-HB-(1&2) R-1		CONTRACT # 60826			



STAGE I REMOVAL & CONSTRUCTION
(Looking South)



STAGE II REMOVAL & CONSTRUCTION
(Looking South)



STAGE III CONSTRUCTION
(Looking South)

NOTES

1. Work to be performed during Stage III includes the deck closure pour and the median barrier.
2. For temporary Concrete Barrier details, see See Sheet S-6.
3. For Quantity of temporary concrete barrier, see Roadway Plans.

TYLIN INTERNATIONAL

DESIGNED	- CM
CHECKED	- AD
DRAWN	- CM
CHECKED	- AD

STAGE CONSTRUCTION I

FAP 346 (U.S. ROUTE 41 - SKOKIE
HIGHWAY) OVER ILLINOIS ROUTE 132
SECTION 125X-HB-(1&2)R-1
LAKE COUNTY
S.N. 049-0209