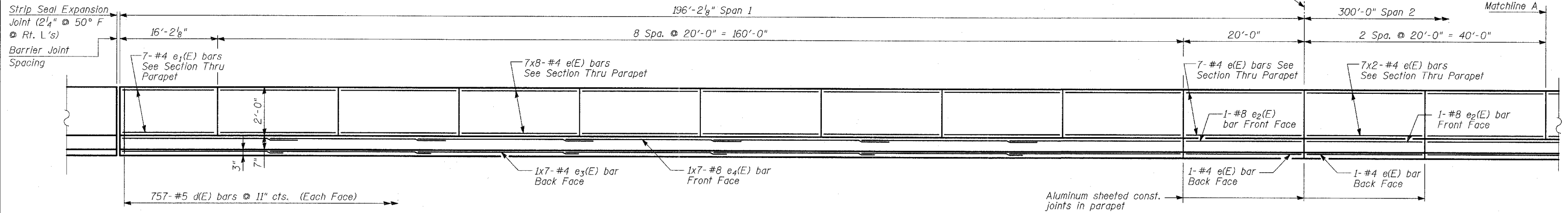


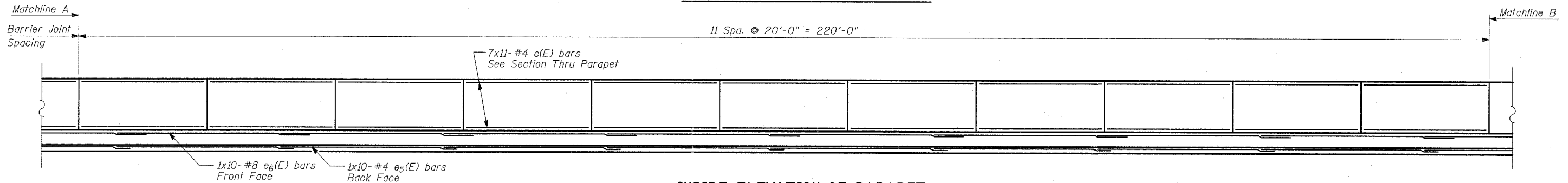
STATE OF ILLINOIS  
DEPARTMENT OF TRANSPORTATION

ROUTE NO.	SECTION	COUNTY	TOTAL SHEETS	SHEET NO.	SHEET NO. - S-21
346	.	LAKE	469	190	S-66 SHEETS

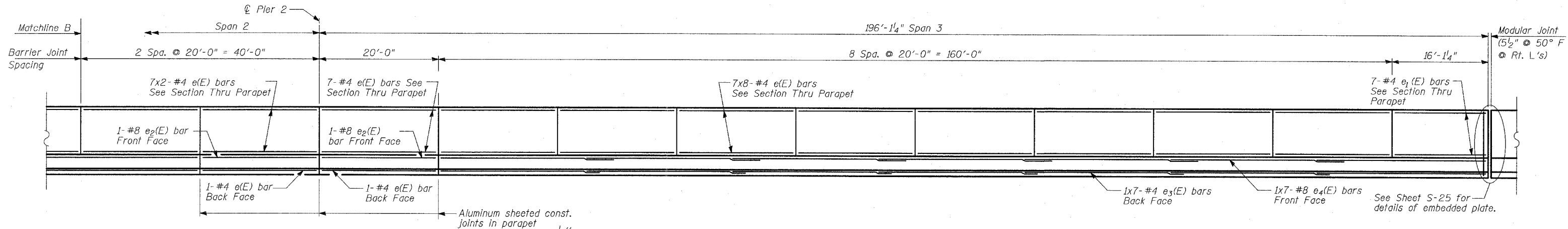
CONTRACT # 60826



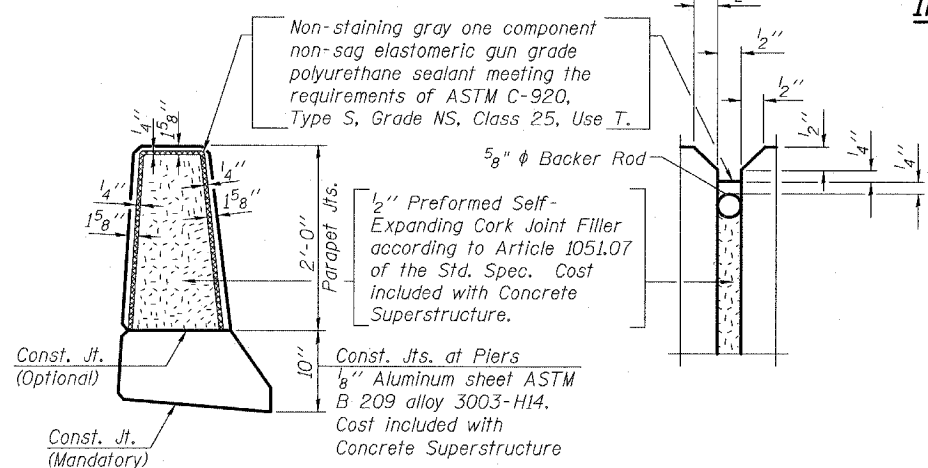
INSIDE ELEVATION OF PARAPET



INSIDE ELEVATION OF PARAPET



INSIDE ELEVATION OF PARAPET



PARAPET JOINT DETAILS

LAP SPLICES

Bar	Lap
#4	1'-8"
#8	4'-6"

NOTES

Bars indicated thus 1x2-#5 etc. indicates 1 line of bars with 2 lengths per line.

SUPERSTRUCTURE  
DETAILS II

FAP 346 (U.S. ROUTE 41 - SKOKIE  
HIGHWAY) OVER ILLINOIS ROUTE 132  
SECTION 125X-HB-(1&2)R-1  
LAKE COUNTY  
S.N. 049-0209

TYLIN INTERNATIONAL

DESIGNED	- SP
CHECKED	- AD
DRAWN	- SNB
CHECKED	- MAF, AD