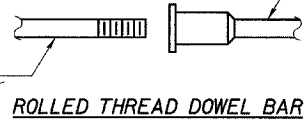


STATE OF ILLINOIS
DEPARTMENT OF TRANSPORTATION

ROUTE NO.	SECTION	COUNTY	TOTAL SHEETS	SHEET NO.
346	*	LAKE	469	197
FED. ROAD DIST. NO.	ILLINOIS	FED. AID PROJECT-		
* 125X-HB-(1&2) R-1			CONTRACT # 60826	

SHEET NO. - S-28
S-66 - SHEETS

The diameter of this part is equal or larger than the diameter of bar spliced.
The diameter of this part is the same as the diameter of the bar spliced.



ROLLED THREAD DOWEL BAR



** ONE PIECE

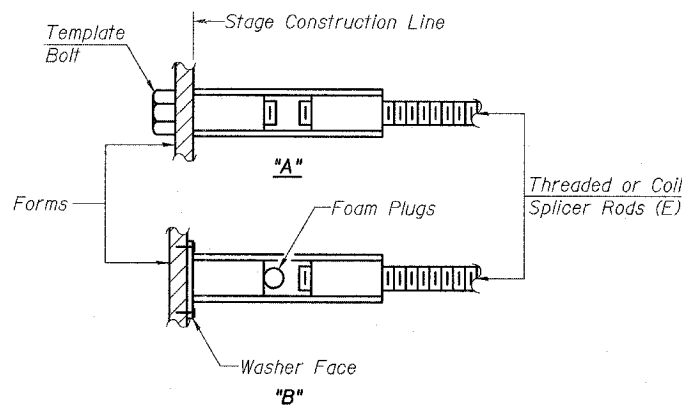
Wire Connector



WELDED SECTIONS

BAR SPLICER ASSEMBLY ALTERNATIVES

**Heavy Hex Nuts conforming to ASTM A 563, Grade C, D or DH may be used.



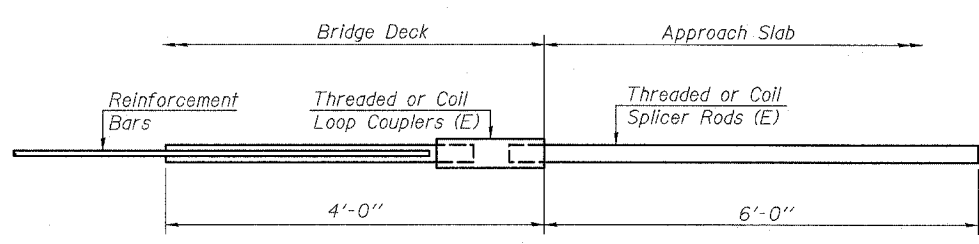
INSTALLATION AND SETTING METHODS

"A" : Set bar splicer assembly by means of a template bolt.
"B" : Set bar splicer assembly by nailing to wood forms or cementing to steel forms.
(E) : Indicates epoxy coating.

NOTES
Bar splicer assemblies shall be of an approved type and shall develop in tension at least 125 percent of the yield strength of the lapped reinforcement bars.
Splicer rods shall be of minimum 60 ksi yield strength, threaded or coiled full length.
All reinforcement bars shall be lapped and tied to the splicer rods or dowel bars.
Bar splicer assemblies shall be epoxy coated according to the requirements for reinforcement bars.
Other systems of similar design may be submitted to the Engineer for approval. Approval shall be based on certified test results from an approved testing laboratory that the proposed bar splicer assembly satisfies the following requirements:

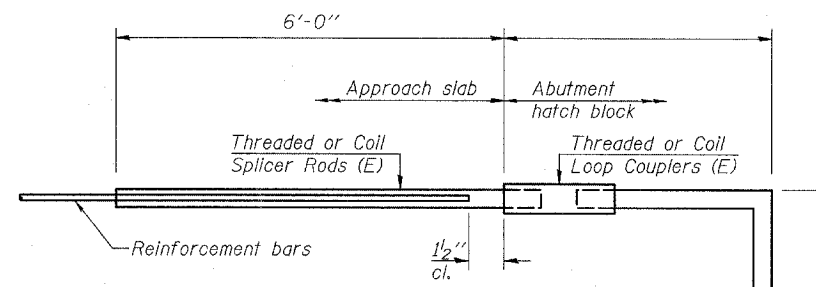
- ① Minimum Capacity (Tension in kips) = $1.25 \times f_y \times A_s$
 - ② Minimum *Pull-out Strength (Tension in kips) = $0.66 \times f_y \times A_s$
- Where f_y = Yield strength of lapped reinforcement bars in ksi.
 A_s = Tensile stress area of lapped reinforcement bars.
* = 28 day concrete

BAR SPLICER ASSEMBLIES			
Bar Size to be Spliced	Splicer Rod or Dowel Bar Length	Strength Requirements	
		Min. Capacity kips - tension	Min. Pull-Out Strength kips - tension
#4	1'-8"	14.7	7.9
#5	2'-0"	23.0	12.3
#6	2'-7"	33.1	17.4
#7	3'-5"	45.1	23.8
#8	4'-6"	58.9	31.3
#9	5'-9"	75.0	39.6
#10	7'-3"	95.0	50.3
#11	9'-0"	117.4	61.8



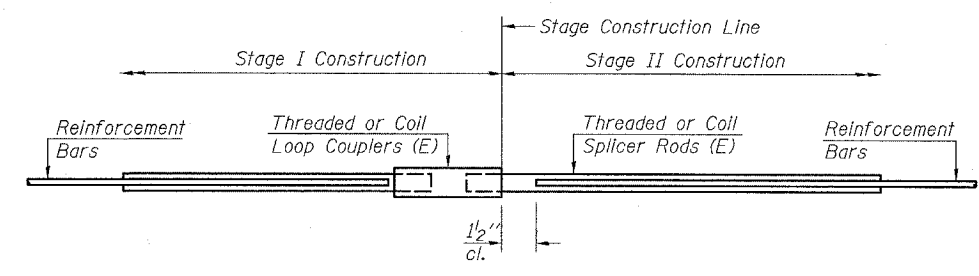
FOR INTEGRAL OR SEMI-INTEGRAL ABUTMENTS

Bar Splicer for #5 bar
Min. Capacity = 23.0 kips - tension
Min. Pull-out Strength = 12.3 kips - tension
No. Required =



FOR STUB ABUTMENTS

Bar Splicer for #5 bar
Min. Capacity = 23.0 kips - tension
Min. Pull-out Strength = 12.3 kips - tension
No. Required = 198



STANDARD

Bar Size	No. Assemblies Required	Location
#5	5690	Deck
#5	61	North Abutment
#6	4	North Abutment
#6	20	Pier 1
#9	38	Pier 1
#10	22	Pier 1
#6	20	Pier 2
#9	38	Pier 2
#10	22	Pier 2
#5	71	South Abutment
#6	4	South Abutment

BAR SPLICER ASSEMBLY DETAILS

FAP 346 (U.S. ROUTE 41 - SKOKIE HIGHWAY) OVER ILLINOIS ROUTE 132
SECTION 125X-HB-(1&2)R-1
LAKE COUNTY
S.N. 049-0209

TYLIN INTERNATIONAL
DESIGNED - SP
CHECKED - AD
DRAWN - SP
CHECKED - AD
BSD-1 11-1-06