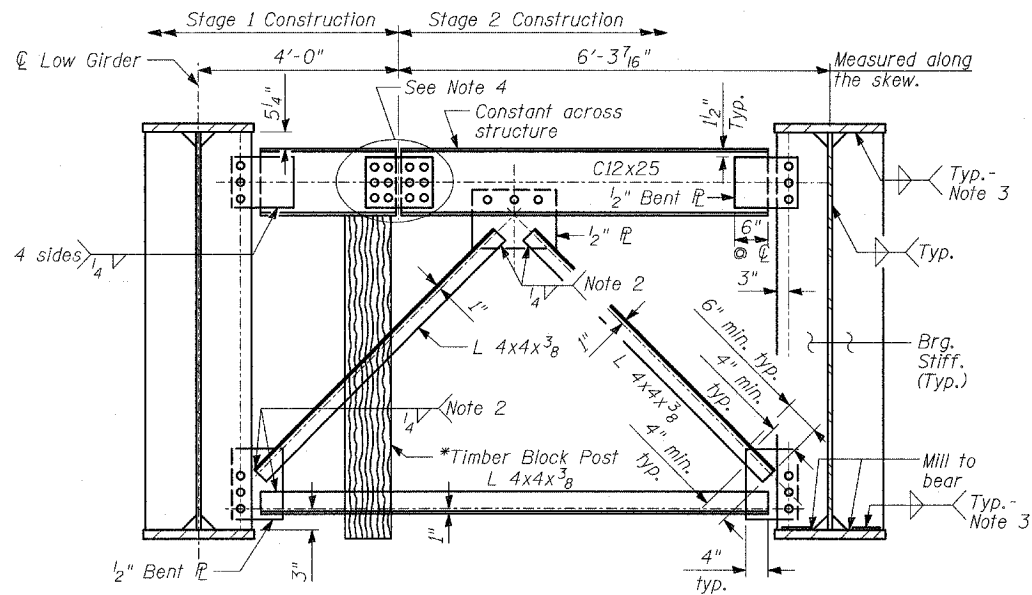


STATE OF ILLINOIS
DEPARTMENT OF TRANSPORTATION

ROUTE NO.	SECTION	COUNTY	SHEETS	SHEET
346	*	LAKE	469	201
FED. ROAD DIST. NO.	ILLINOIS	FED. AID PROJECT		
			CONTRACT # 60826	

SHEET NO. - S-32
S-66 SHEETS



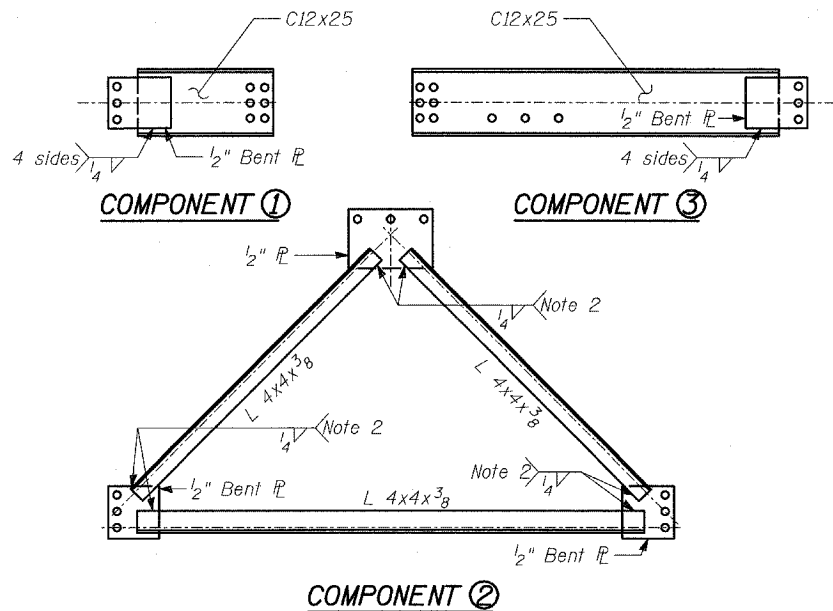
END CROSS FRAME CF4

1 Required

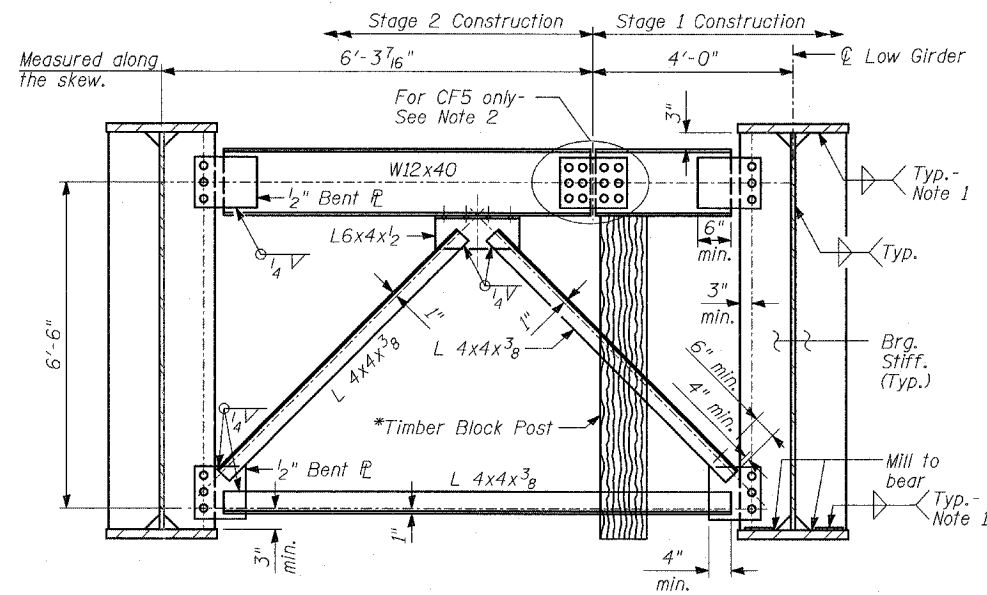
* Cost included with "Erecting Structural Steel".

NOTES FOR CROSS FRAME CF4

1. Place Cross Frame with channel flanges and outstanding angle legs outward from abutment backwall.
2. Weld on near side for 1/2" plate.
3. Stop weld 1/4" from each end of plate.
4. For additional details, see "End Cross Frame CF4 Components."



END CROSS FRAME CF4 COMPONENTS

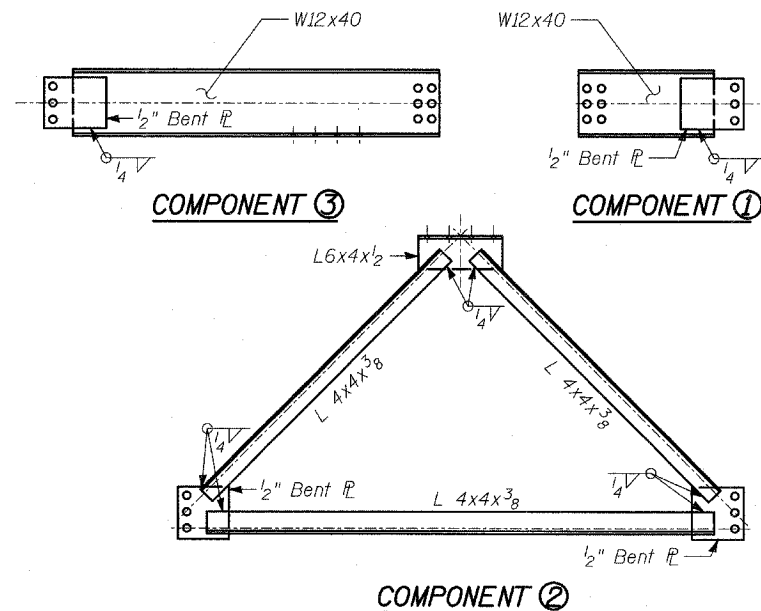


END CROSS FRAME CF5

1 Required

NOTES FOR END CROSS FRAME CF5

1. Stop weld 1/4" from each end of plate.
2. For additional details, see "End Cross Frame CF5 Components."



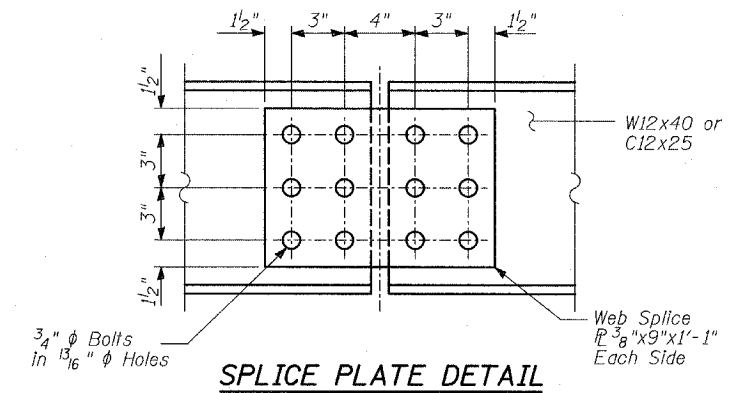
END CROSS FRAME CF5 COMPONENTS

**CROSS FRAME CF4 AND CF5
CONSTRUCTION SEQUENCE**

1. Order Cross Frame CF4 and CF5 in three components as shown.
2. Attach component ① to the bearing stiffener on Girder nearest Stage Construction Line.
3. Place Timber Block Post between component ① and bearing seat.
4. Pour Stage I deck and erect Stage II Girders.
5. Attach component ③ to the bearing stiffener on adjacent Stage 2 Construction Girder, and attach web splice plates.
6. Remove Timber Block Post.
7. Install component ②.
8. Complete remaining deck pours.

GENERAL NOTES

1. All bolts shall be 3/4" φ with 15/16" φ holes unless otherwise noted.
2. Two hardened washers required for each set of oversized holes.



SPLICE PLATE DETAIL

TYLIN INTERNATIONAL

DESIGNED	- MB
CHECKED	- AD
DRAWN	- MAF
CHECKED	- AD

FRAMING DETAILS II

FAP 346 (U.S. ROUTE 41 - SKOKIE
HIGHWAY) OVER ILLINOIS ROUTE 132
SECTION 125X-HB-(1&2)R-1
LAKE COUNTY
S.N. 049-0209