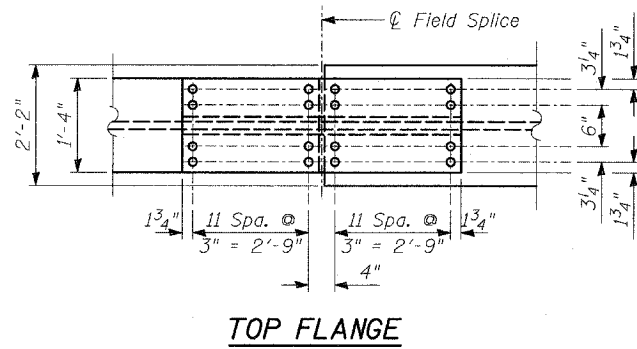
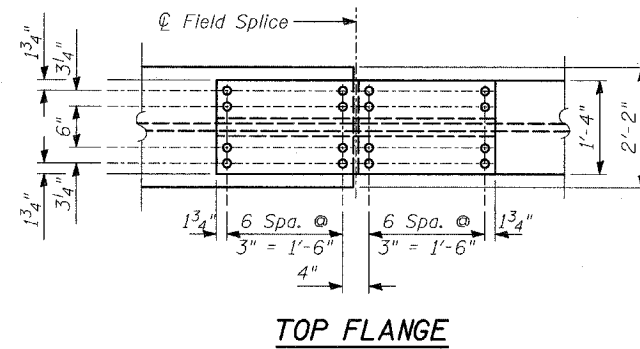


STATE OF ILLINOIS  
DEPARTMENT OF TRANSPORTATION

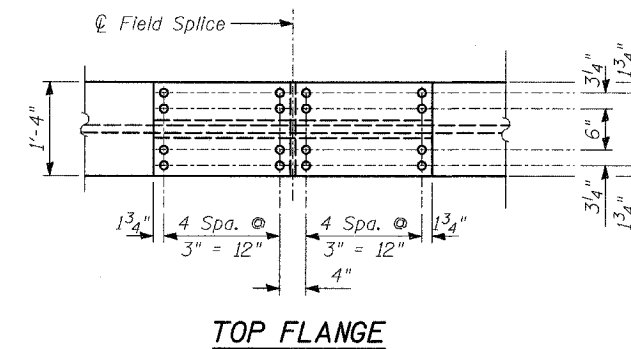
ROUTE NO.	SECTION	COUNTY	SHEET NO.	SHEET	SHEET NO. - S-33 S-86" SHEETS
346		LAKE	469	202	
FED. ROAD DIST. NO.		ILLINOIS	FED. AID PROJECT-		CONTRACT # 60826



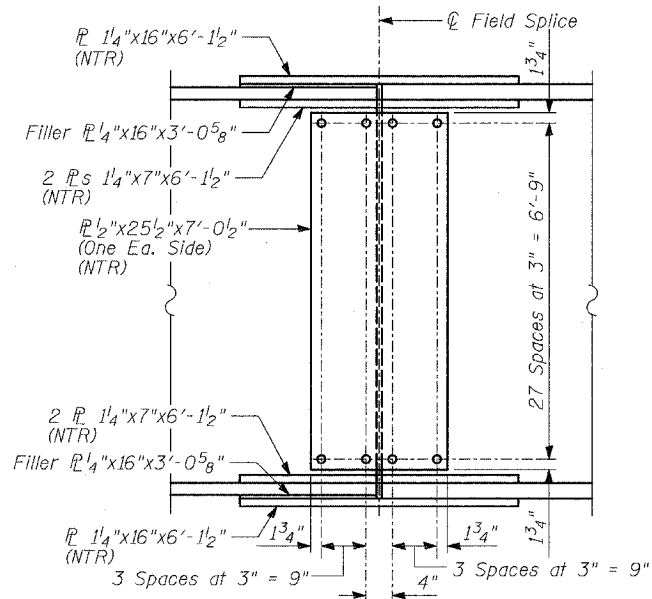
TOP FLANGE



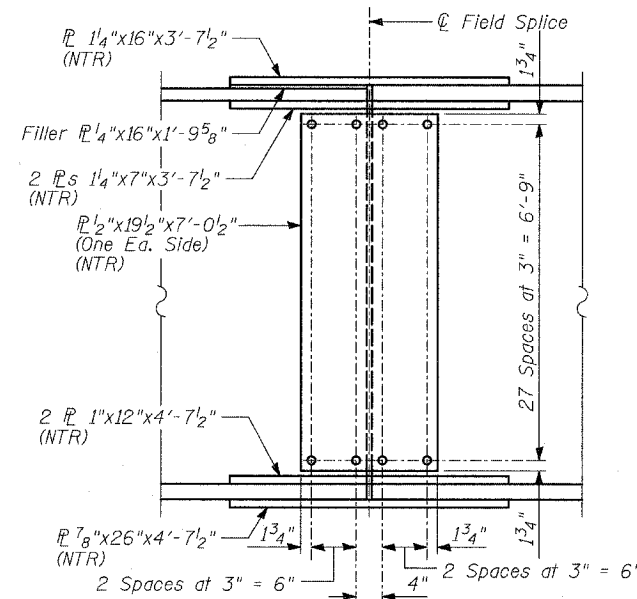
TOP FLANGE



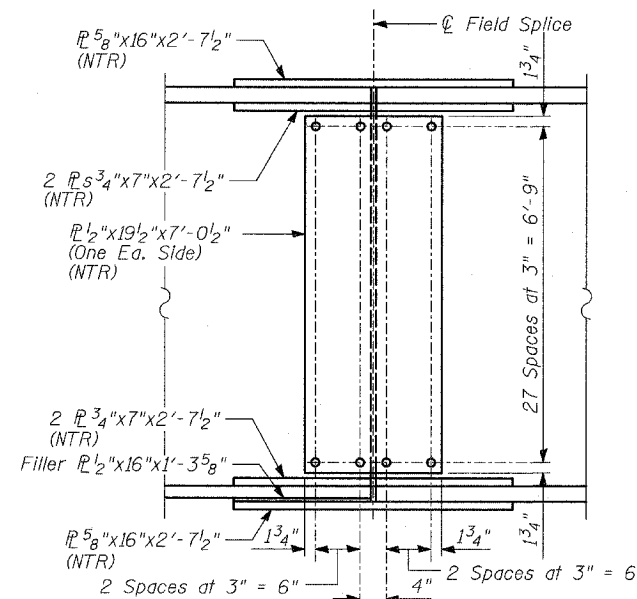
TOP FLANGE



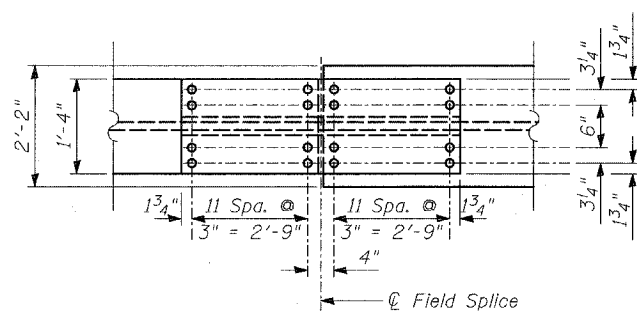
ELEVATION



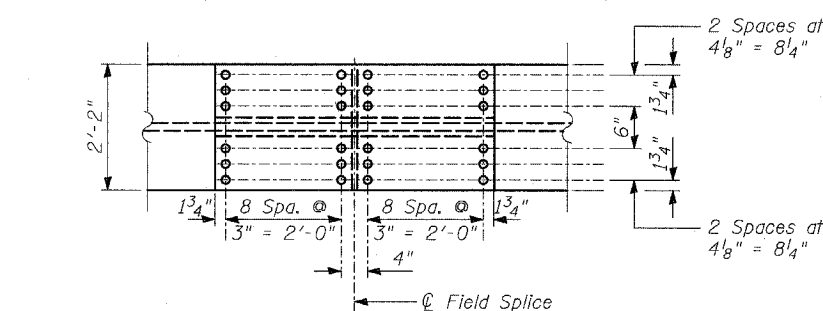
ELEVATION



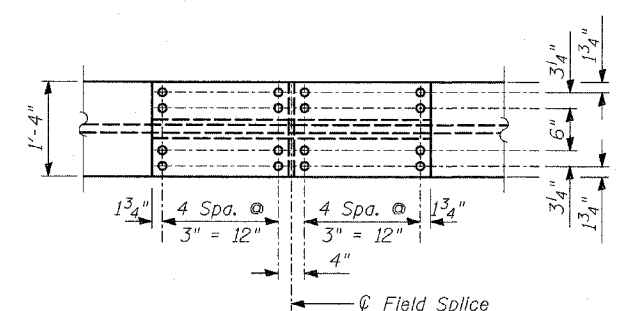
ELEVATION



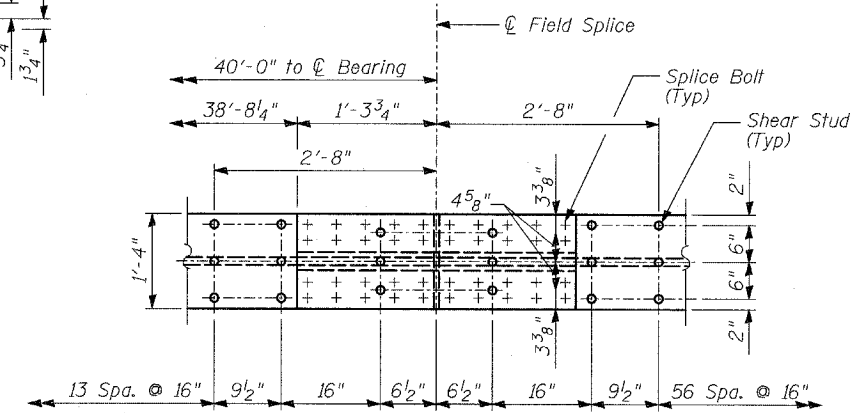
BOTTOM FLANGE  
FIELD SPLICE #2 & #5



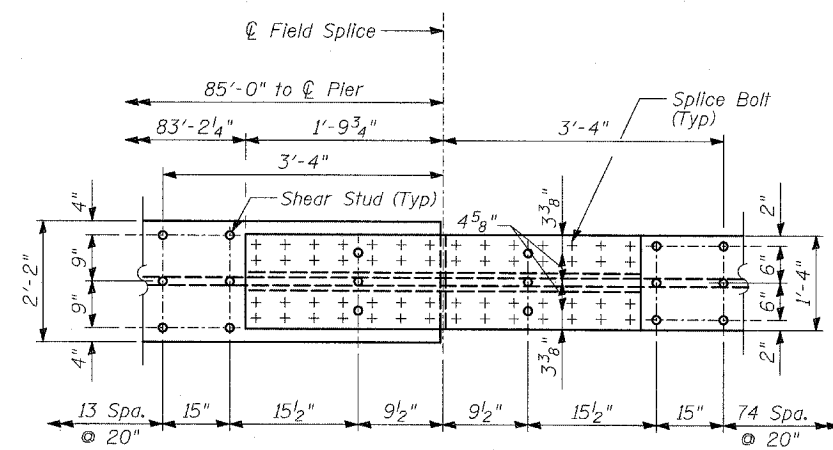
BOTTOM FLANGE  
FIELD SPLICE #3 & #4



BOTTOM FLANGE  
FIELD SPLICE #1 & #6



STUD LAYOUT AT FS #1 & #6  
(Layout at FS #1 shown, at FS #6 opp. hand)



STUD LAYOUT AT FS #3 & #4  
(Layout at FS #3 shown, at FS #4 opp. hand)

TYLIN INTERNATIONAL

DESIGNED	- MB
CHECKED	- AD
DRAWN	- MAF
CHECKED	- AD

NOTES:

- All bolts shall be 7/8"φ AASHTO M164/ASTM A325 with 15/16"φ holes unless noted.
- Load carrying components designated "NTR" shall conform to the Supplemental Requirements for Notch Toughness, Zone 2.

FRAMING DETAILS III

FAP 346 (U.S. ROUTE 41 - SKOKIE  
HIGHWAY) OVER ILLINOIS ROUTE 132  
SECTION 125X-HB-(1&2)R-1  
LAKE COUNTY  
S.N. 049-0209