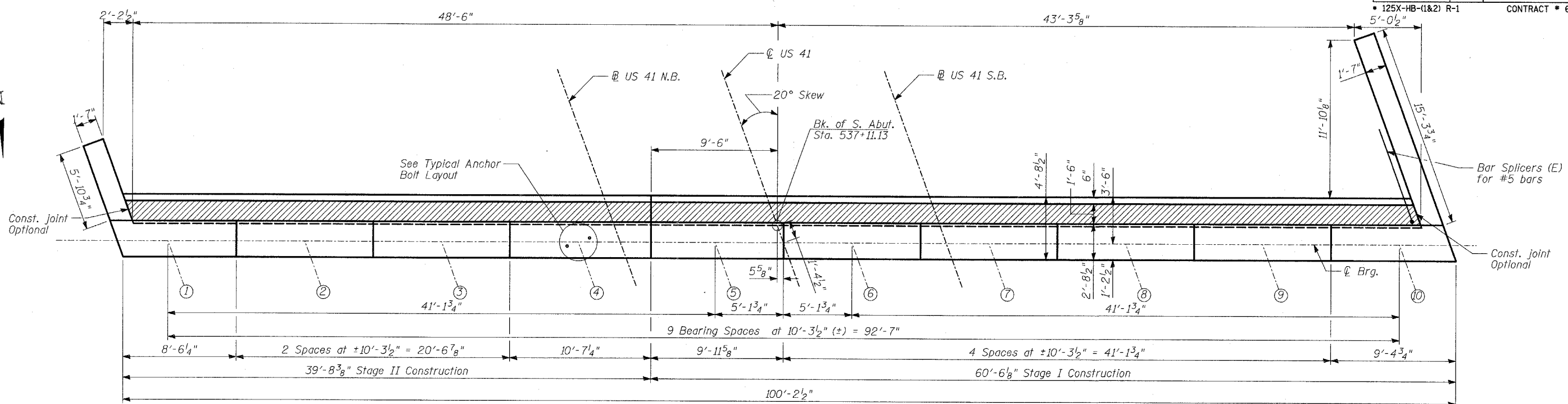


STATE OF ILLINOIS
DEPARTMENT OF TRANSPORTATION

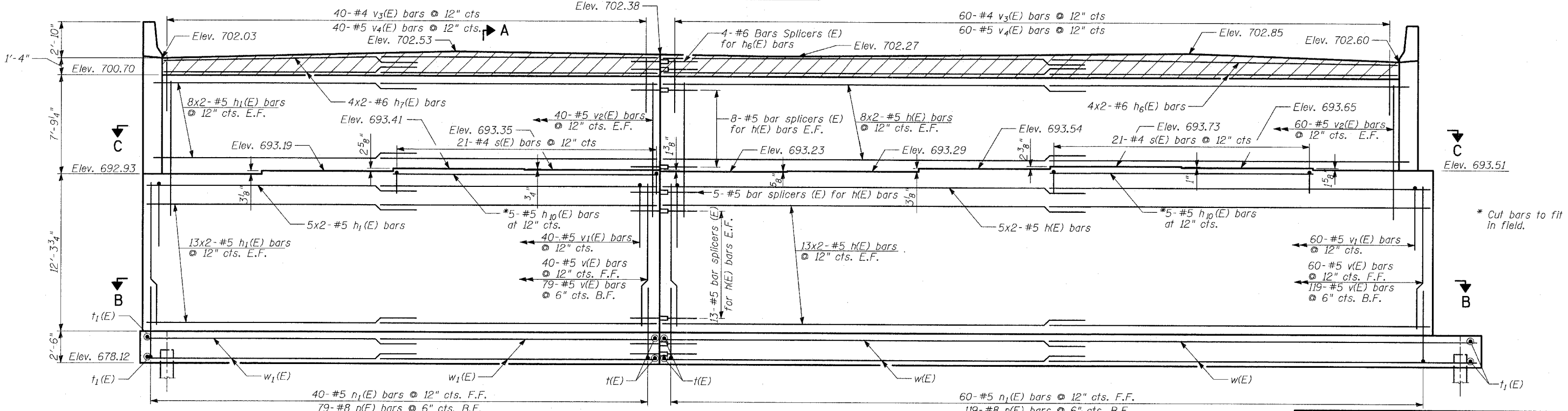
ROUTE NO.	SECTION	COUNTY	TOTAL SHEETS	SHEET NO.
346	*	LAKE	469	209
FED. ROAD DIST. NO.	ILLINOIS	FED. AID PROJECT		
			125X-HB-(1&2) R-1	

SHEET NO. - S-40
S-66-SHEETS

CONTRACT # 60826



TOP PLAN



ELEVATION

MIN. LAP LENGTHS

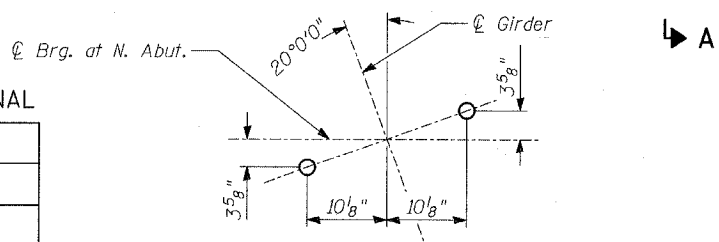
Bar	Lap
#5	2'-2"
#6	2'-7"

NOTES

For Sections A-A, see Sheet S-42.
For Sections B-B and C-C, see Sheet S-41.

LEGEND

B.F. denotes Back Face
F.F. denotes Front Face
E.F. denotes Each Face



TYPICAL ANCHOR BOLT LAYOUT

TYLIN INTERNATIONAL

DESIGNED	- SP
CHECKED	- AD
DRAWN	- SP, MAF
CHECKED	- AD

SOUTH ABUTMENT

FAP 346 (U.S. ROUTE 41 - SKOKIE
HIGHWAY) OVER ILLINOIS ROUTE 132
SECTION 125X-HB-(1&2)R-1
LAKE COUNTY
S.N. 049-0209