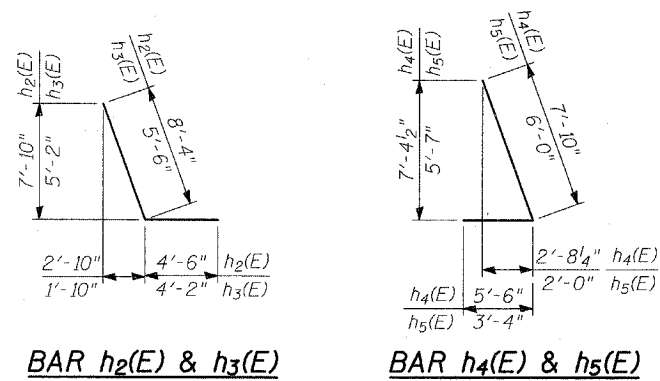


STATE OF ILLINOIS
DEPARTMENT OF TRANSPORTATION

ROUTE NO.	SECTION	COUNTY	TOTAL SHEETS	SHEET NO.	SHEET NO. -S-42A S-66 SHEETS
346	*	LAKE	469	211A	
FED. ROAD DIST. NO.		ILLINOIS	FED. AID PROJECT-		
* 125X-HB-(1&2) R-1		CONTRACT # 60826			

13- #9 $t_2(E)$ bars @
8 1/2" cts. Top
9- #5 $t_3(E)$ bars @
12" cts. Bottom
(Space to miss piles)

FOOTING PLAN - SOUTH ABUTMENT

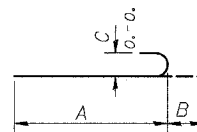


BAR $h_2(E)$ & $h_3(E)$

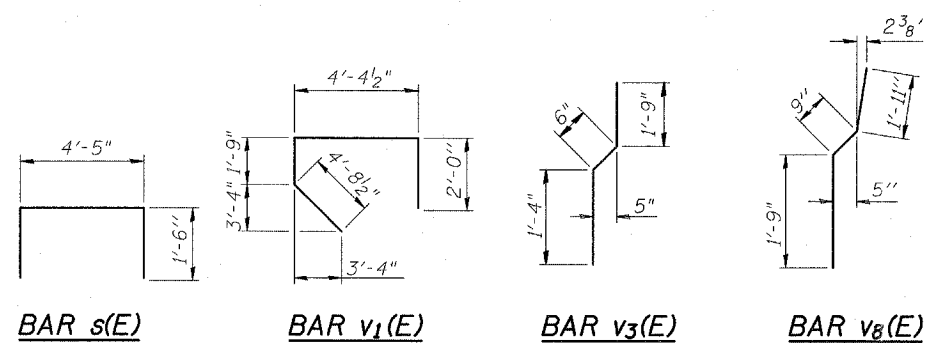
BAR $h_4(E)$ & $h_5(E)$

MARK TABLE

Bar	A	B	C
$n(E)$	8'-11"	11"	8"
$n_1(E)$	5'-2"	7"	5"
$n_2(E)$	9'-11"	1'-3"	11 3/4"



BAR $n(E)$, $n_1(E)$ & $n_2(E)$



BAR $s(E)$

BAR $v_1(E)$

BAR $v_3(E)$

BAR $v_8(E)$

BILL OF MATERIAL

Bar	No.	Size	Length	Shape
$h(E)$	94	#5	31'-2"	—
$h_1(E)$	94	#5	21'-2"	—
$h_2(E)$	34	#7	12'-10"	—
$h_3(E)$	18	#5	9'-8"	—
$h_4(E)$	34	#7	13'-4"	—
$h_5(E)$	18	#5	9'-4"	—
$h_6(E)$	8	#6	30'-1"	—
$h_7(E)$	8	#6	20'-11"	—
$h_8(E)$	6	#4	6'-2"	—
$h_9(E)$	6	#4	14'-5"	—
$h_{10}(E)$	10	#5	20'-7"	—
$h_{11}(E)$	28	#5	13'-3"	—
$h_{12}(E)$	18	#5	14'-5"	—
$n(E)$	198	#8	9'-10"	—
$n_1(E)$	122	#5	5'-9"	—
$n_2(E)$	63	#9	11'-2"	—
$s(E)$	42	#5	7'-5"	—
$t(E)$	232	#7	11'-8"	—
$t_1(E)$	28	#7	12'-5"	—
$t_2(E)$	13	#9	11'-11"	—
$t_3(E)$	9	#5	11'-11"	—
$v(E)$	298	#5	12'-0"	—
$v_1(E)$	100	#5	12'-10"	—
$v_2(E)$	200	#5	12'-10"	—
$v_3(E)$	100	#5	3'-7"	—
$v_4(E)$	100	#5	3'-8"	—
$v_5(E)$	22	#5	19'-5"	—
$v_6(E)$	63	#8	15'-6"	—
$v_7(E)$	22	#5	4'-2"	—

BILL OF MATERIAL (CONT.)

Bar	No.	Size	Length	Shape
$v_8(E)$	63	#5	4'-5"	—
$w(E)$	48	#5	33'-1"	—
$w_1(E)$	48	#5	23'-5"	—
$w_2(E)$	24	#5	12'-8"	—
Reinforcement Bars, Epoxy Coated				
		POUND	39,490	
Porous Granular Embankment, (Special)				
		CU YD	1,502	
Structure Excavation				
		CU YD	2,337	
Concrete Structures				
		CU YD	373	
Protective Coat				
		SQ YD	9	
Pipe Underdrain For Structures, 6"				
		FOOT	130	
Furnishing Metal Pile Shells 14" x 3/8"				
		FOOT	2,829	
Driving Piles				
		FOOT	2,829	
Test Pile Metal Shells				
		EACH	1	
Concrete Sealer				
		SQ FT	272	
Bar Splicers				
		EACH	175	
Geocomposite Wall Drain				
		SQ YD	229	
Pile Extraction				
		EACH	5	

TYLIN INTERNATIONAL

DESIGNED	- SP
CHECKED	- AD
DRAWN	- SP, MAF
CHECKED	- AD

SOUTH ABUTMENT
DETAILS III

FAP 346 (U.S. ROUTE 41 - SKOKIE
HIGHWAY) OVER ILLINOIS ROUTE 132
SECTION 125X-HB-(1&2)R-1
LAKE COUNTY
S.N. 049-0209