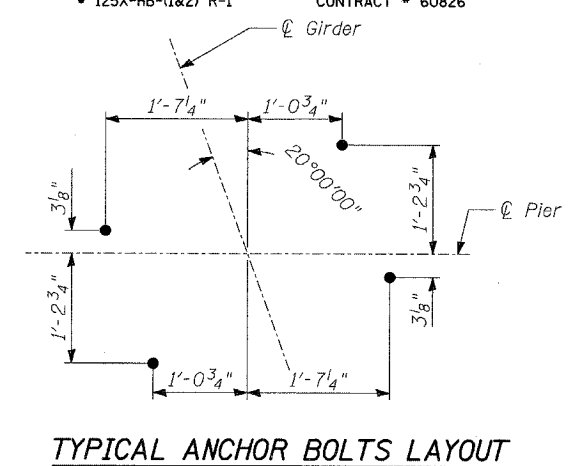
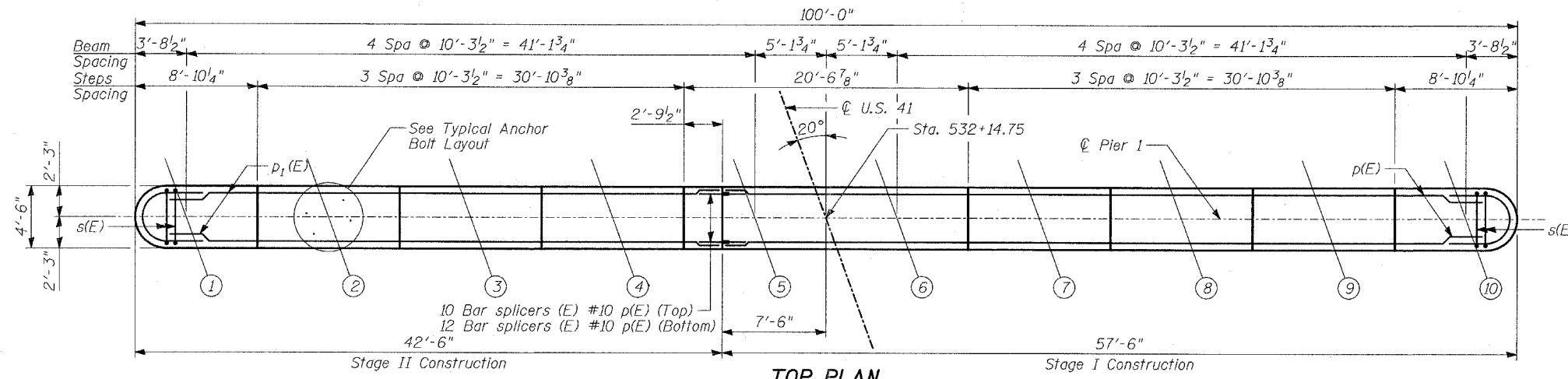


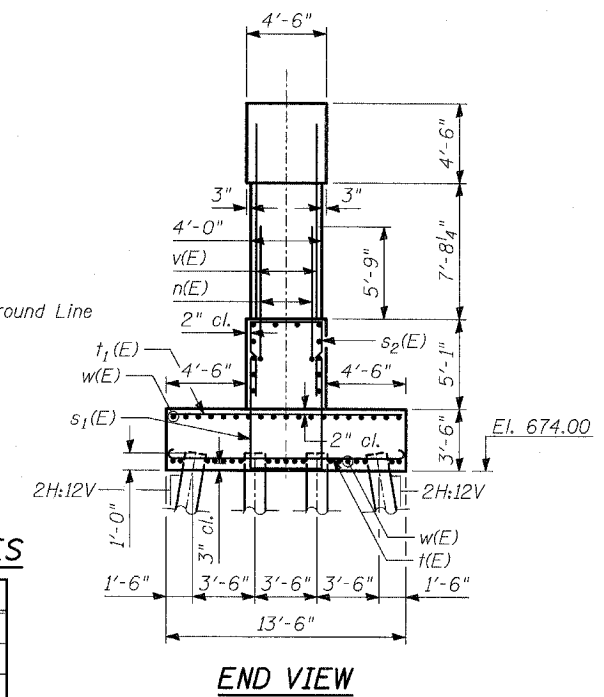
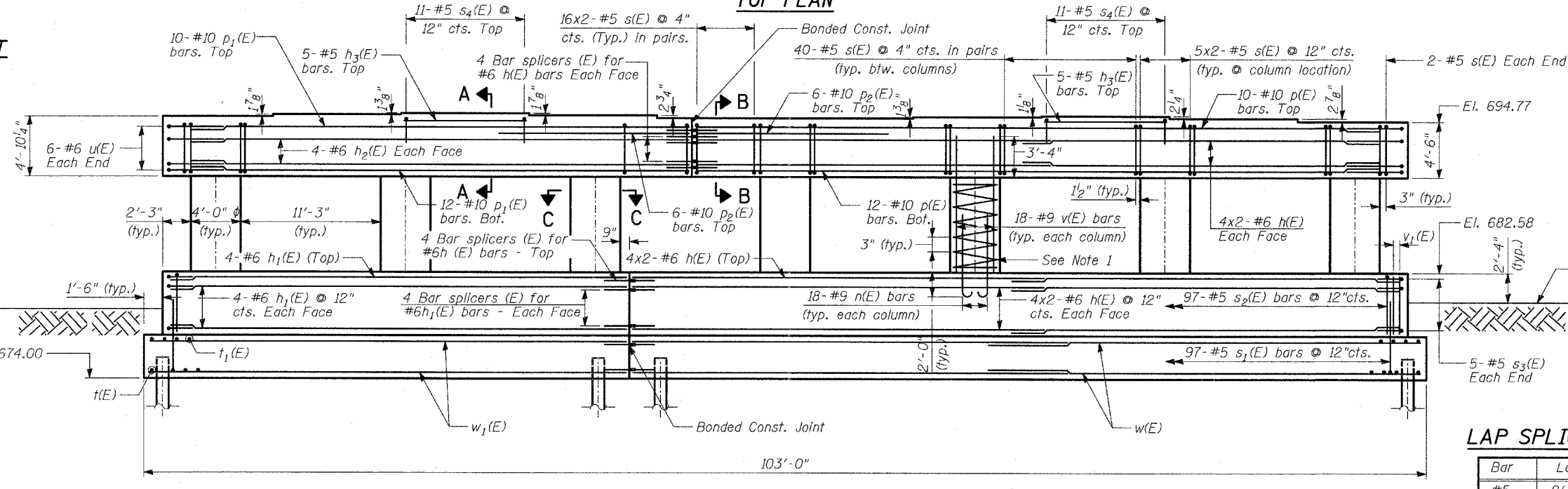
STATE OF ILLINOIS
DEPARTMENT OF TRANSPORTATION

ROUTE NO.	SECTION	COUNTY	TOTAL SHEETS	SHEET NO.	SHEET NO. - S-43 S-66 SHEETS
346	*	LAKE	469	212	
FED. ROAD DIST. NO.	ILLINOIS	FED. AID PROJECT-	CONTRACT # 60826		
* 125X-HB-(1&2) R-1					



BEARING SEAT
ELEVATIONS

Girder	Seat Elev.
1	695.12
2	695.28
3	695.39
4	695.23
5	695.00
6	695.00
7	695.11
8	695.20
9	695.01
10	694.77



PILE DATA

Type: Metal Shell - 14" ϕ x 3/8" wall
 Nominal Required Bearing: 390 kips
 Allowable Resistance Available: 130 kips
 Est. Length: 50.0'
 No. Req'd: 83 Plus 1 Test Pile

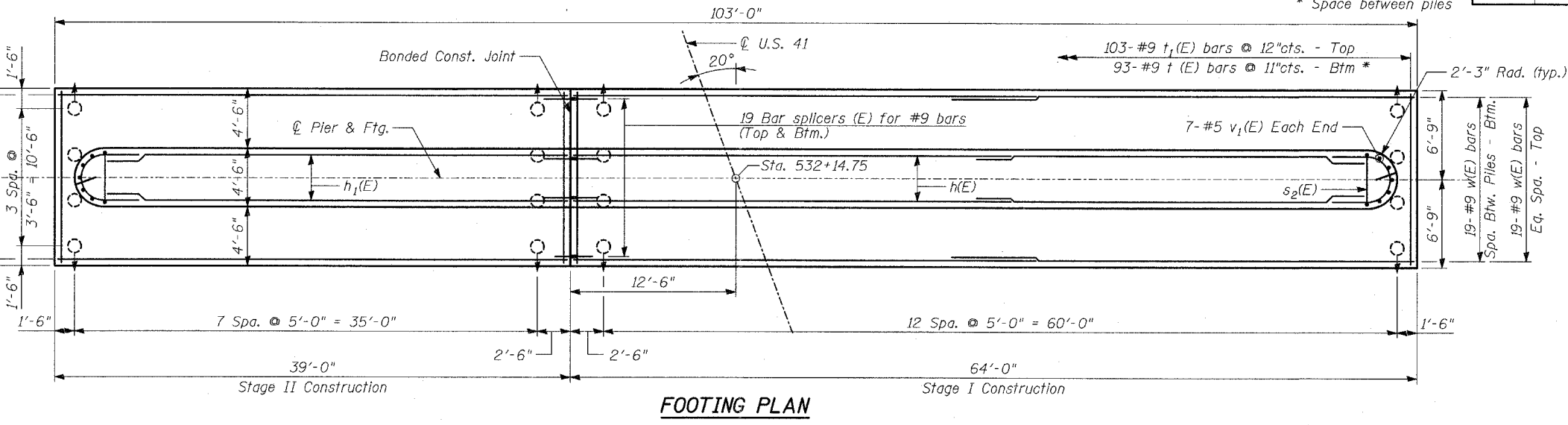
LAP SPLICES

Bar	Lap
#5	2'-2"
#6	2'-7"
#8	4'-6"
#9	5'-9"

- Notes:**
- For spirals in each column, provide 1/2 extra turns top & bottom. Extend spiral 2" into pier cap. Provide 4-#4 spacers or equivalent.
 - Space reinforcement in cap to miss anchor bolts.
 - Pour steps monolithically with cap.
 - Space bottom reinforcement in footing to miss piles.
 - See Sheet S-44 of S-66, for Sections A-A, B-B and C-C.

TYLIN INTERNATIONAL

DESIGNED	- MB
CHECKED	- AD
DRAWN	- KA, MAF
CHECKED	- AD



PIER 1
 FAP 346 (U.S. ROUTE 41 - SKOKIE HIGHWAY) OVER ILLINOIS ROUTE 132
 SECTION 125X-HB-(1&2)R-1
 LAKE COUNTY
 S.N. 049-0209