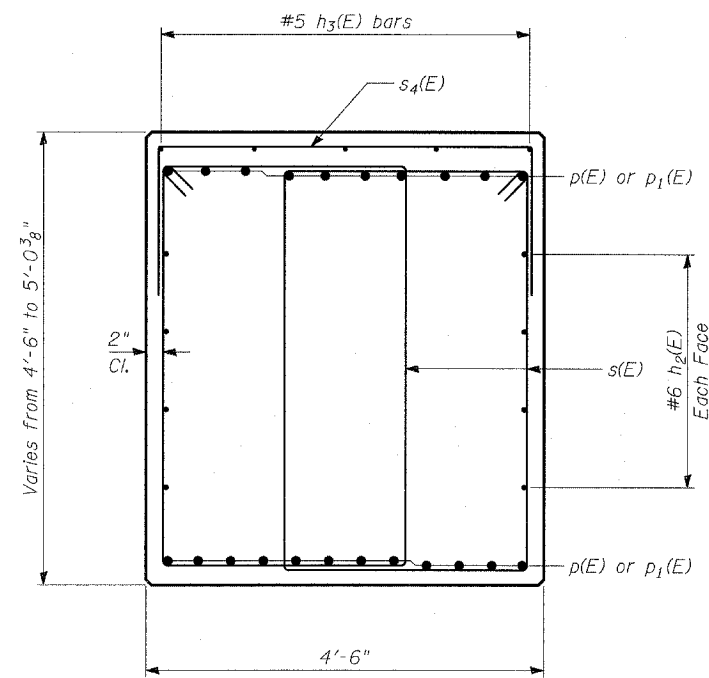


STATE OF ILLINOIS
DEPARTMENT OF TRANSPORTATION

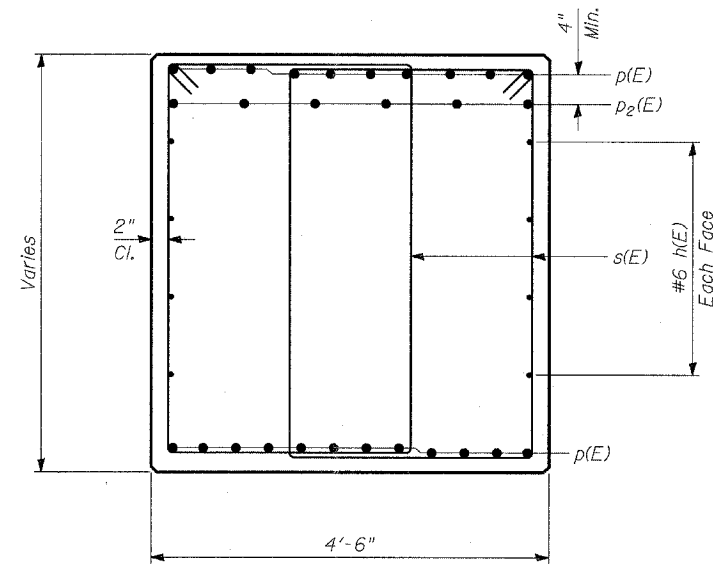
ROUTE NO.	SECTION	COUNTY	TOTAL SHEETS	SHEET NO.	SHEET NO. - S-46
346	*	LAKE	469	215	S-66 SHEETS
FED. ROAD EST. NO.		ILLINOIS	FED. AID PROJECT-		
125X-HB-(1&2) R-1		CONTRACT # 60826			

BILL OF MATERIAL

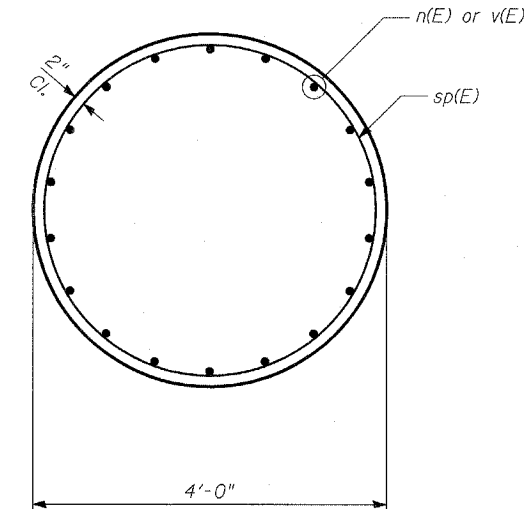
Bar	No.	Size	Length	Shape
$h(E)$	40	#6	31'-2"	—
$h_1(E)$	12	#6	35'-1"	—
$h_2(E)$	8	#6	40'-1"	—
$h_3(E)$	10	#5	9'-10"	—
$n(E)$	126	#9	7'-10"	U
$p(E)$	22	#10	55'-2"	—
$p_1(E)$	22	#10	40'-1"	—
$p_2(E)$	12	#10	15'-6"	—
$s(E)$	538	#5	17'-7"	□
$s_1(E)$	97	#5	15'-10"	□
$s_2(E)$	97	#5	13'-0"	□
$s_3(E)$	10	#5	10'-9"	□
$s_4(E)$	22	#5	10'-0"	□
* $sp(E)$	7	#5	7'-11"	WWW
$t(E)$	93	#9	15'-8"	U
$t_1(E)$	103	#9	13'-2"	—
$u(E)$	12	#6	11'-7"	U
$v(E)$	126	#9	11'-1"	—
$v_1(E)$	14	#5	4'-3"	—
$w(E)$	76	#9	35'-0"	—
$w_1(E)$	38	#9	38'-8"	—
Reinforcement Bars, Epoxy Coated		POUND	60,930	
Structure Excavation		CU YD	3,658	
Concrete Structures		CU YD	376	
Furnishing Metal Pile Shells 14" x 3/8"		FOOT	3,984	
Driving Piles		FOOT	3,984	
Test Pile Metal Shells		EACH	1	
Bar Splicers		EACH	80	



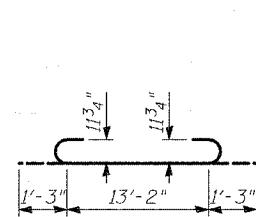
SECTION A-A



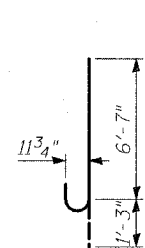
SECTION B-B



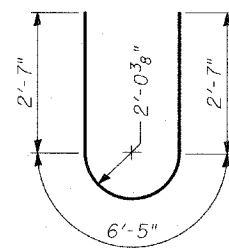
SECTION C-C



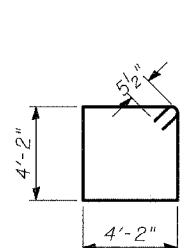
BAR t(E)



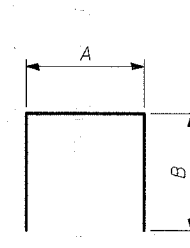
BAR n(E)



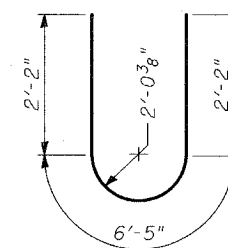
BAR u(E)



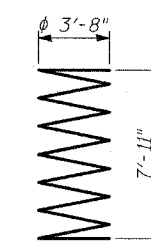
BAR s(E)



BARS $s_1(E)$,
 $s_2(E)$ & $s_4(E)$



BAR $s_3(E)$



BAR $sp(E)$

MARK TABLE

Bar	A	B
$s_1(E)$	4'-2"	5'-10"
$s_2(E)$	4'-2"	4'-5"
$s_4(E)$	4'-2"	2'-5"

TYLIN INTERNATIONAL

DESIGNED	- MB
CHECKED	- AD
DRAWN	- MAF
CHECKED	- AD, MAF

PIER 2 DETAILS

FAP 346 (U.S. ROUTE 41 - SKOKIE
HIGHWAY) OVER ILLINOIS ROUTE 132
SECTION 125X-HB-(1&2)R-1
LAKE COUNTY
S.N. 049-0209