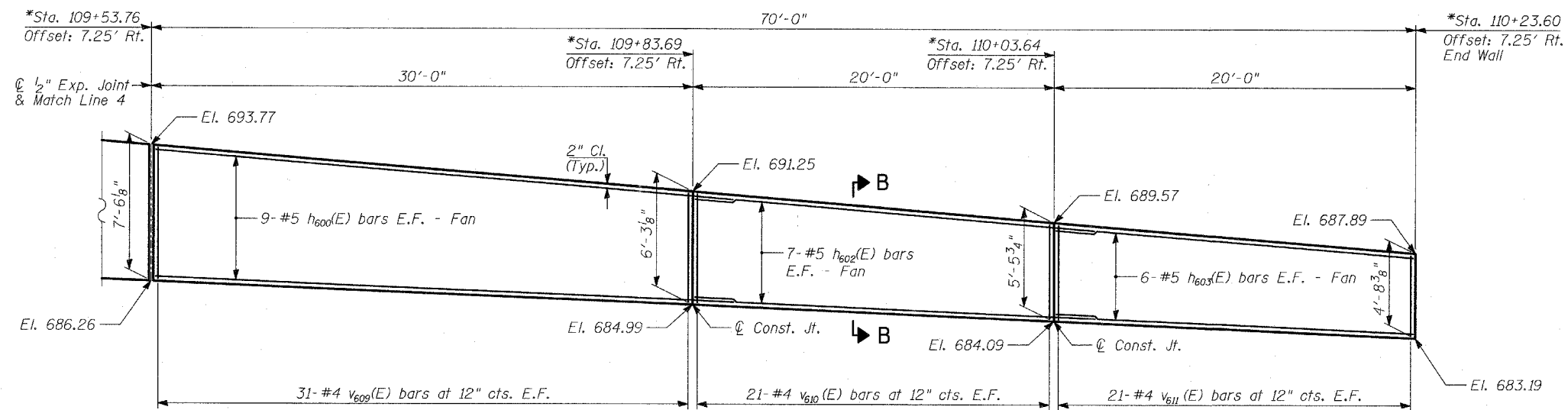


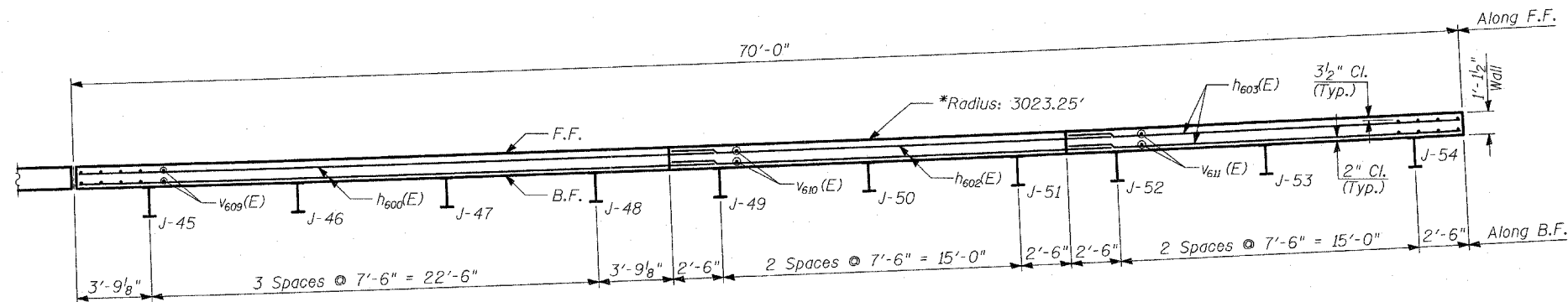
STATE OF ILLINOIS
DEPARTMENT OF TRANSPORTATION

ROUTE NO.	SECTION	COUNTY	TOTAL SHEETS	SHEET NO.	SHEET NO. - 6
346	*	LAKE	469	241	15 SHEETS
FED. ROAD DIST. NO.		ILLINOIS	FED. AID PROJECT		
* 125X-HB-(1&2) R-1		CONTRACT # 60826			



ELEVATION

(Offsets are Given From Baseline & P.G.L. Ramp A to F.F. of Wall)



PLAN

(*Wall to be built along straight chords between construction joints)

PILE SUMMARY

Pile Label	Pile Size	Length	Top of Pile Elevation	Bot. of Pile Elevation
J-45	W18x50	24'-11"	690.96	666.04
J-46	W18x50	24'-11"	690.33	665.41
J-47	W18x50	24'-11"	689.70	664.78
J-48	W18x50	24'-11"	689.07	664.15
J-49	W18x50	23'-8"	688.54	664.87
J-50	W18x50	23'-8"	687.91	664.24
J-51	W18x50	23'-8"	687.28	663.61
J-52	W18x50	22'-11"	686.86	663.94
J-53	W18x50	22'-11"	686.23	663.31
J-54	W18x50	22'-11"	685.60	662.68

TYLIN INTERNATIONAL

DESIGNED	- MB
CHECKED	- AD
DRAWN	- CM
CHECKED	- MAF

LAP SPLICES

Bar	Lap
#4	1'-8"
#5	2'-2"
#6	2'-7"
#8	4'-6"

NOTES:

1. B.F. - denotes Back Face.
2. E.F. - denotes Each Face.
3. F.F. - denotes Front Face.
4. Work this Sheet with Sheets 7 thru 10 of 15.
5. Pile spacing measured along back face of wall.
6. For Bill of Material, see Sheet 8 of 15.
7. For Section B-B, see Sheet 7 of 15.

**WALL J
PLAN AND ELEVATION
STA 109+53.76 TO STA 110+23.60**

FAP 346 (U.S. ROUTE 41 - SKOKIE
HIGHWAY) OVER ILLINOIS ROUTE 132
SECTION 125X-HB-(1&2)R-1
LAKE COUNTY
S.N. 049-W031