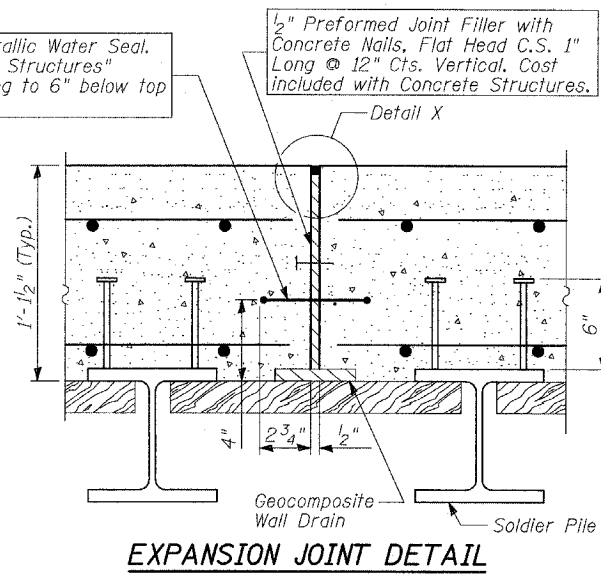


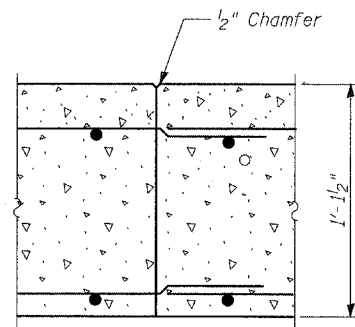
STATE OF ILLINOIS
DEPARTMENT OF TRANSPORTATION

ROUTE NO.	SECTION	COUNTY	TOTAL SHEETS	SHEET NO.	SHEET NO. - 8
346	*	LAKE	469	243	15 SHEETS
FED. ROAD DIST. NO.	ILLINOIS	FED. AID PROJECT	CONTRACT # 60826		
* 125X-HB-(1&2) R-1					

6" Hollow Bulb Type Non-Metallic Water Seal. Cost included with "Concrete Structures" Extend from bottom of facing to 6" below top of facing.



EXPANSION JOINT DETAIL



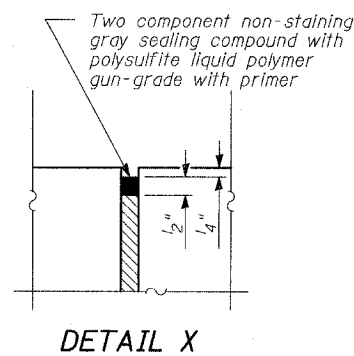
WALL CONSTRUCTION JOINT DETAIL

LAP SPLICES

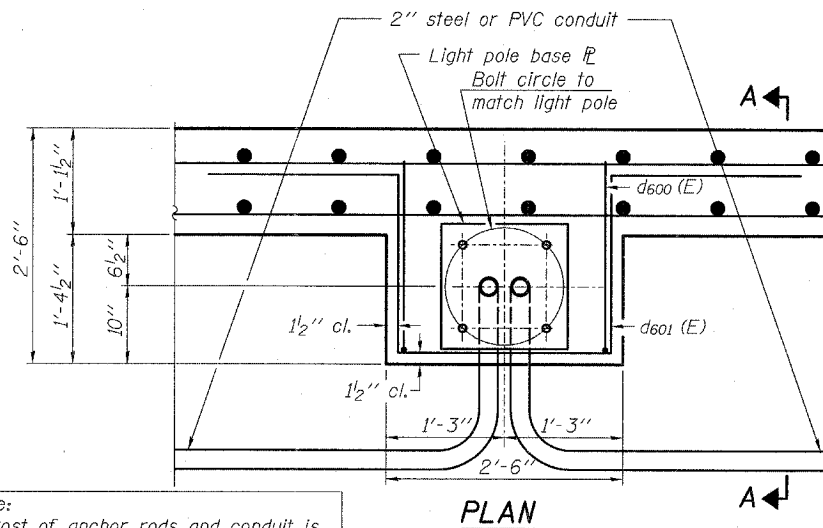
Bar	Lap (Minimum)
#4	1'-8"
#5	2'-2"
#6	2'-7"
#8	4'-6"

TYLIN INTERNATIONAL

DESIGNED	- MB, MAF
CHECKED	- AD
DRAWN	- CM, MAF
CHECKED	- MAF

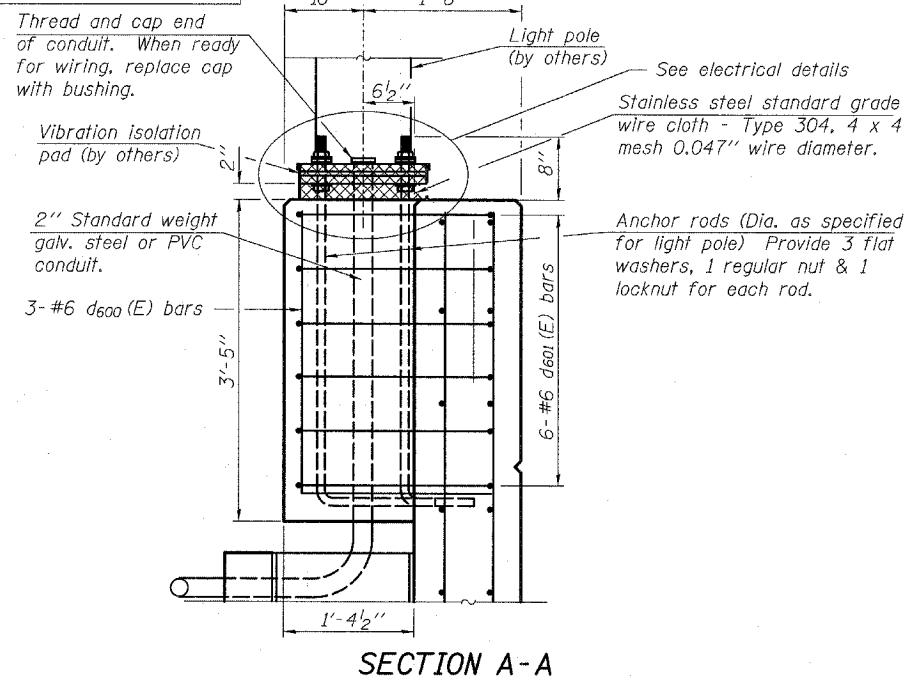


DETAIL X



PLAN

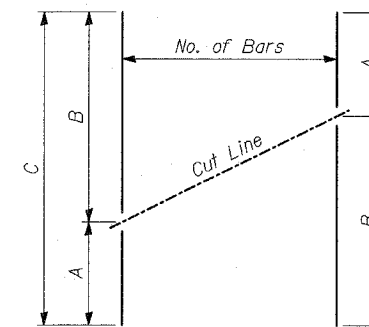
Note: Cost of anchor rods and conduit is included with Concrete Structures.



SECTION A-A

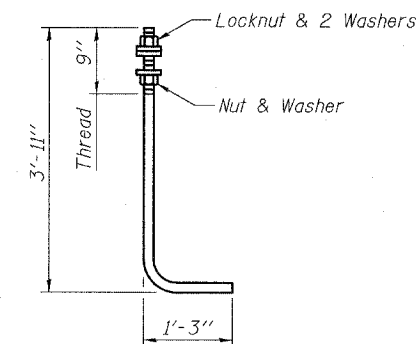
BAR TABLE SCHEDULE

Bar	No. of Sets Required	No. of Bars Per Set	A	B	C
V600(E)	1	31	6'-4"	6'-9"	13'-1"
V601(E)	1	31	6'-9"	7'-3"	14'-0"
V602(E)	1	31	7'-3"	7'-11"	15'-2"
V603(E)	1	31	7'-11"	8'-8"	16'-7"
V604(E)	1	31	8'-8"	9'-5"	18'-1"
V605(E)	2	31	9'-5"	10'-4"	19'-9"
V606(E)	2	31	10'-4"	11'-4"	21'-8"
V607(E)	1	31	9'-5"	8'-7"	18'-0"
V608(E)	1	31	8'-7"	7'-3"	15'-10"
V609(E)	1	31	7'-3"	6'-0"	13'-3"
V610(E)	1	21	6'-0"	5'-2"	11'-2"
V611(E)	1	21	5'-2"	4'-5"	9'-7"



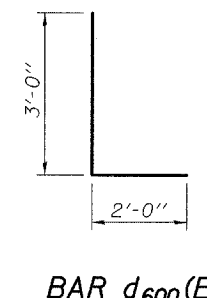
SERIES OF BAR CUTTING DIAGRAM

See table for dimensions. Order Bars Full Length, Cut as Shown Normal to Bar Axis and Use Remainder of Bars in Opposite Face.



ANCHOR ROD

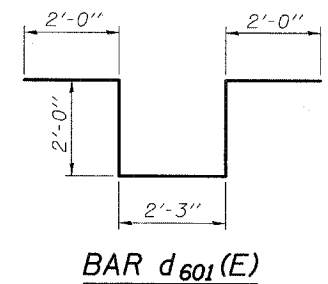
Diameter as specified for light poles. (ASTM F 1554 Grade 105)



BAR d600(E)

BILL OF MATERIAL

Bar	Number	Size	Length	Shape
d600(E)	6	#6	5'-0"	L
d601(E)	12	#6	10'-3"	U
h600(E)	168	#5	32'-2"	—
h601(E)	86	#5	29'-8"	—
h602(E)	14	#5	22'-2"	—
h603(E)	12	#5	19'-8"	—
h604(E)	18	#5	12'-0"	—
V600(E)	31	#4	13'-1"	—
V601(E)	31	#4	14'-0"	—
V602(E)	31	#4	15'-2"	—
V603(E)	31	#4	16'-7"	—
V604(E)	31	#4	18'-1"	—
V605(E)	62	#4	19'-9"	—
V606(E)	62	#4	21'-8"	—
V607(E)	31	#4	18'-0"	—
V608(E)	31	#4	15'-10"	—
V609(E)	31	#4	13'-3"	—
V610(E)	21	#4	11'-2"	—
V611(E)	21	#4	9'-7"	—
Reinforcement Bars, Epoxy Coated		POUND	13,900	
Structure Excavation		CU YD	385	
Concrete Structures		CU YD	143	
Anti-Graffiti Coating		SQ FT	3,075	
Stud Shear Connectors		EACH	450	
Untreated Timber Lagging		SQ FT	1,886	
Furnishing Soldier Piles (W Section)		FOOT	1,635	
Geocomposite Wall Drain		SQ YD	232	
Pipe Underdrains for Structures, 4"		FOOT	400	
Drilling and Setting Soldier Piles (in Soil)		CU FT	8,992	



BAR d601(E)

WALL J DETAILS (2 OF 2)

FAP 346 (U.S. ROUTE 41 - SKOKIE HIGHWAY) OVER ILLINOIS ROUTE 132 SECTION 125X-HB-(1&2)R-1 LAKE COUNTY S.N. 049-W031