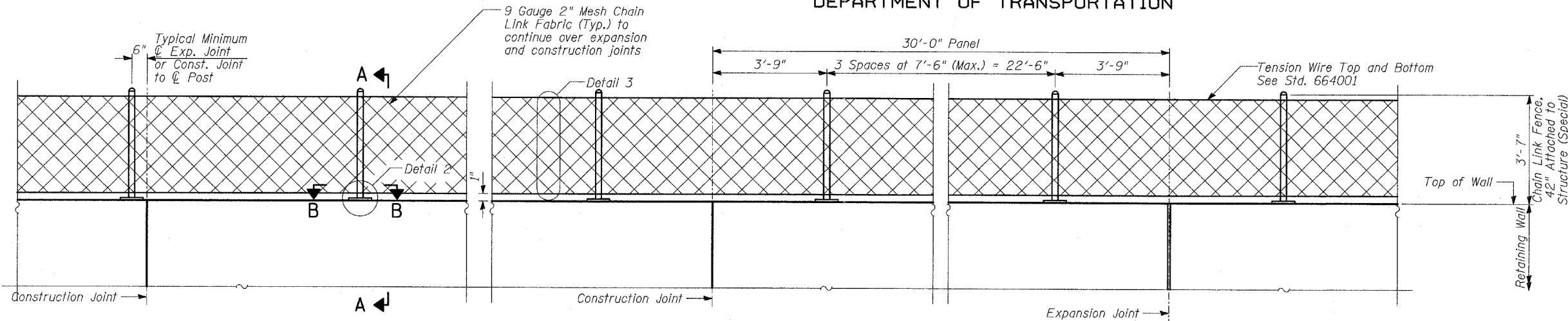
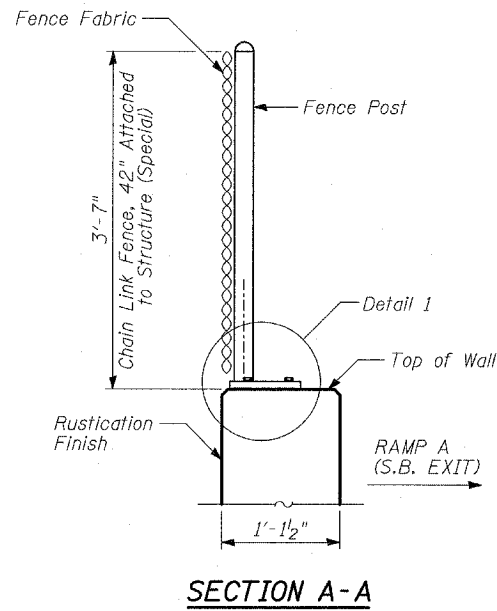


STATE OF ILLINOIS  
DEPARTMENT OF TRANSPORTATION

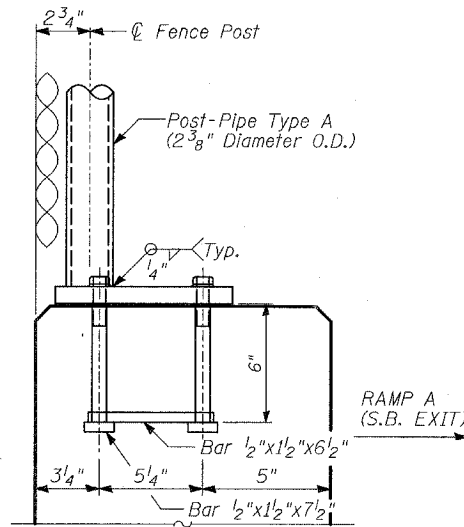
ROUTE NO.	SECTION	COUNTY	ISTH SHEETS	SHEET NO.	SHEET NO. - 10
346	*	LAKE	469	245	15 SHEETS
FED. ROAD DIST. NO.		ILLINOIS	FED. ROAD PROJECT		
• 125X-HB-(1&2) R-1		CONTRACT # 60826			



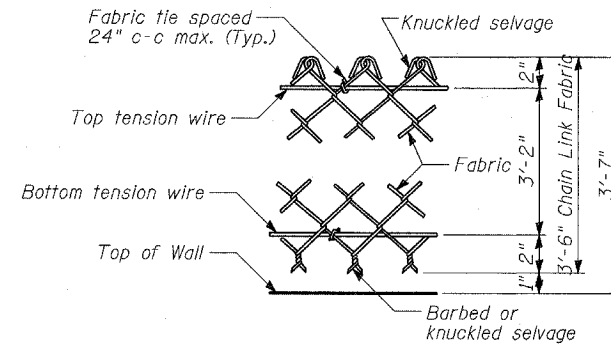
**BACK FACE ELEVATION - TOP OF  
RETAINING WALL CHAIN LINK FENCE**



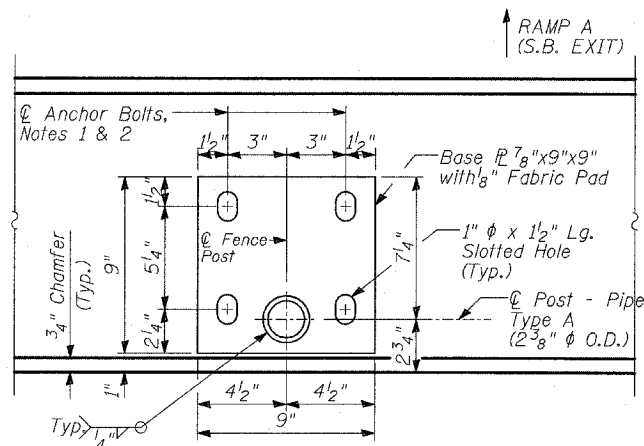
**SECTION A-A**



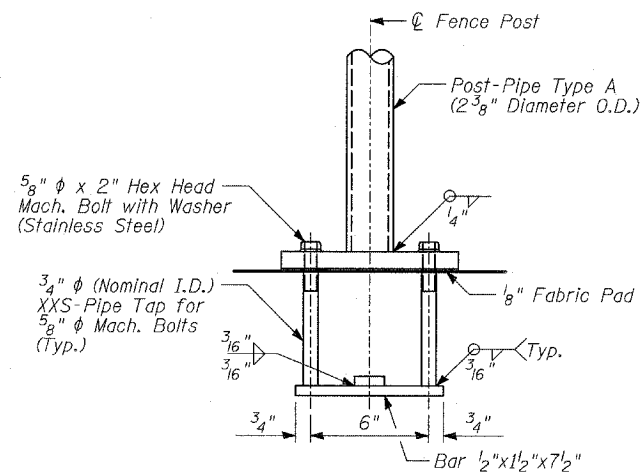
**DETAIL 1**



**DETAIL 3**



**SECTION B-B  
BASE PLATE PLAN**



**DETAIL 2**

TYLIN INTERNATIONAL

DESIGNED	- MAF
CHECKED	- AD
DRAWN	- MAF
CHECKED	- AD

**NOTES:**

- In lieu of the cast-in-place anchor bolt assembly shown, the Contractor has the option of drilling and epoxy grouting 5/8" diameter anchor rods with 1/4" diameter washers. The Contractor shall use the capsule or the adhesive cartridge type anchor rods that have been previously tested and given prior approval by the Department. The Contractor shall install these anchor rods in pre-drilled holes according to the manufacturer's recommendations and procedures. The capsule or adhesive cartridge shall be sealed with pre-measured amounts of adhesive chemical. Anchor rod threading to be peened after nuts are installed.
- For additional chain link details, see Standard 664001.
- Adjust fence and posts to clear light poles.

**BILL OF MATERIAL**

ITEM	UNIT	TOTAL
Chain Link Fence, 42" Attached to Structure (Special)	FOOT	400

**CHAIN LINK FENCE, 42" ATTACHED  
TO STRUCTURE (SPECIAL)**

FAP 346 (U.S. ROUTE 41 - SKOKIE  
HIGHWAY) OVER ILLINOIS ROUTE 132  
SECTION 125X-HB-(1&2)R-1  
LAKE COUNTY  
S.N. 049-W031