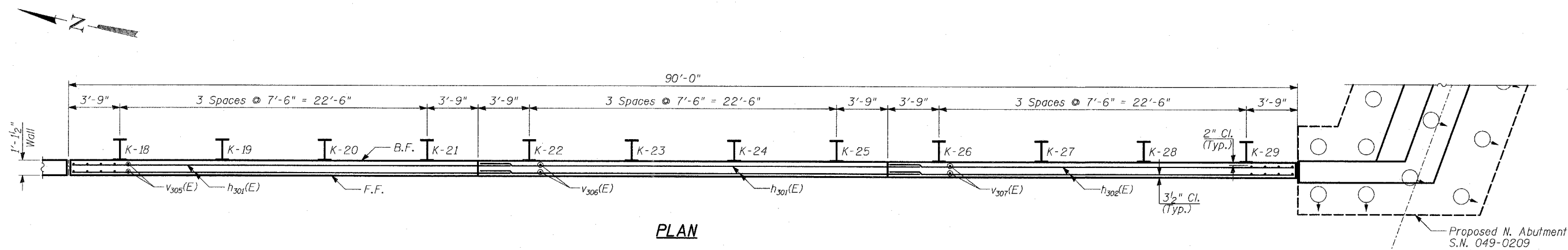
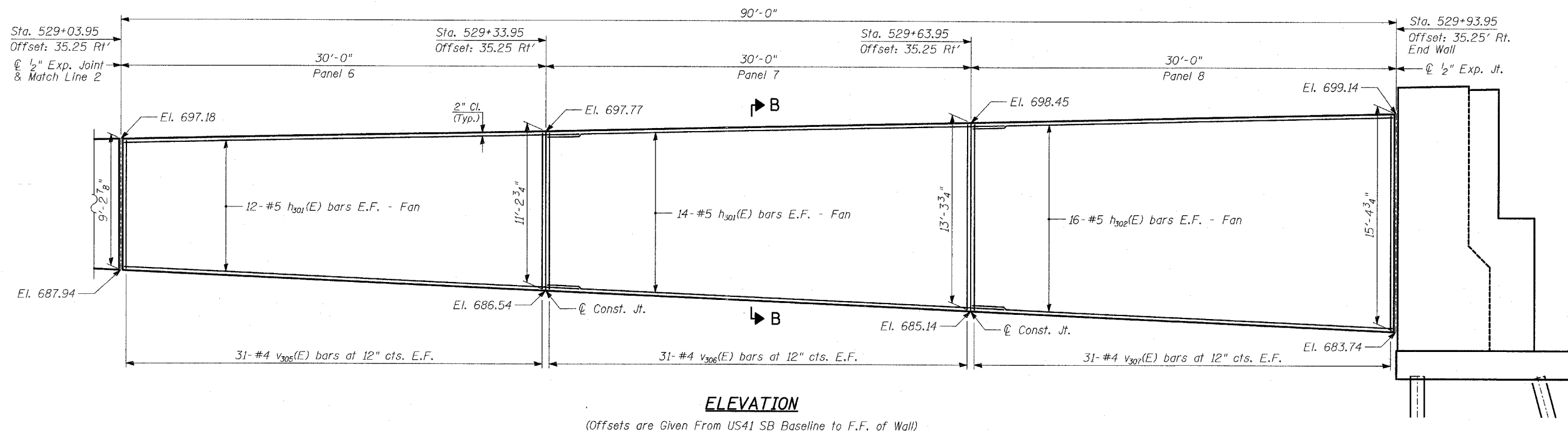


STATE OF ILLINOIS
DEPARTMENT OF TRANSPORTATION

ROUTE NO.	SECTION	COUNTY	TOTAL SHEETS	SHEET NO.	SHEET NO. - 4
346	*	LAKE	469	254	15 SHEETS
FED. ROAD DIST. NO.		ILLINOIS	FED. AID PROJECT		
125X-HB-(1&2) R-1		CONTRACT # 60826			



PILE SUMMARY

Pile Label	Pile Size	Length	Top of Pile Elevation	Bot. of Pile Elevation
K-18	W18x97	26'-5"	695.7	669.3
K-19	W18x97	26'-5"	695.9	669.5
K-20	W18x97	26'-5"	696.0	669.6
K-21	W18x97	26'-5"	696.2	669.8
K-22	W18x97	28'-6"	696.3	667.8
K-23	W18x97	28'-6"	696.5	668.0
K-24	W18x97	28'-6"	696.7	668.2
K-25	W18x97	28'-6"	696.8	668.3
K-26	W18x97	30'-7"	697.0	666.4
K-27	W18x97	30'-7"	697.2	666.6
K-28	W18x97	30'-7"	697.4	666.8
K-29	W18x97	30'-7"	697.5	667.0

TYLIN INTERNATIONAL

DESIGNED	- MB
CHECKED	- AD
DRAWN	- CM
CHECKED	- AD

LAP SPLICES

Bar	Lap
#4	1'-8"
#5	2'-2"
#6	2'-7"
#8	4'-6"

NOTES:

- B.F. - denotes Back Face.
- E.F. - denotes Each Face.
- F.F. - denotes Front Face.
- Work this Sheet with Sheets 5 thru 11 of 15.
- Pile spacing measured along front face of wall.
- For Bill of Material, see Sheet 2 of 15.
- For Section B-B, see Sheet 6 of 15.

**WALL K
PLAN AND ELEVATION
STA 529+03.95 TO STA 529+93.95**

FAP 346 (U.S. ROUTE 41 - SKOKIE
HIGHWAY) OVER ILLINOIS ROUTE 132
SECTION 125X-HB-(1&2)R-1
LAKE COUNTY
S.N. 049-W032