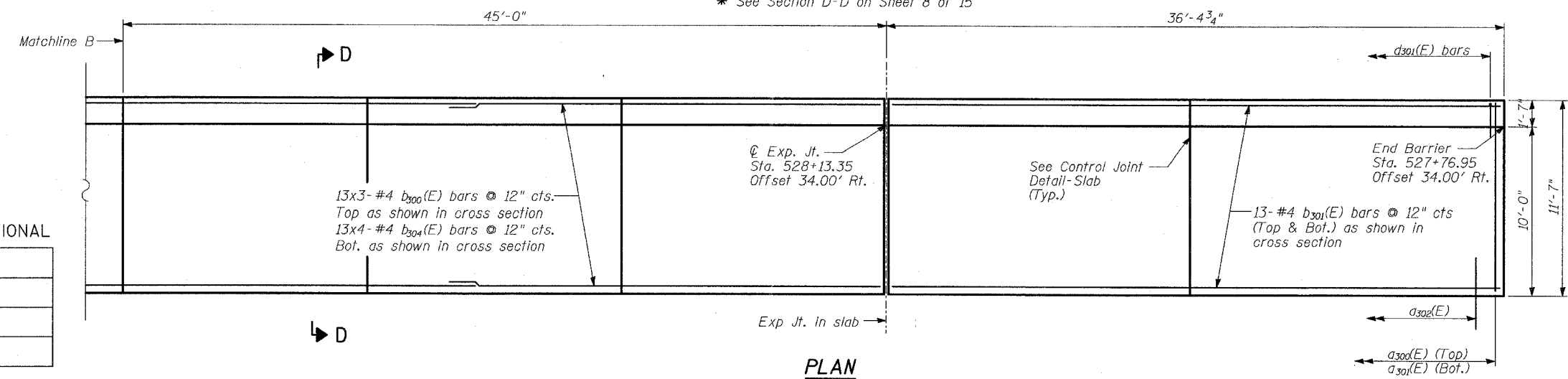
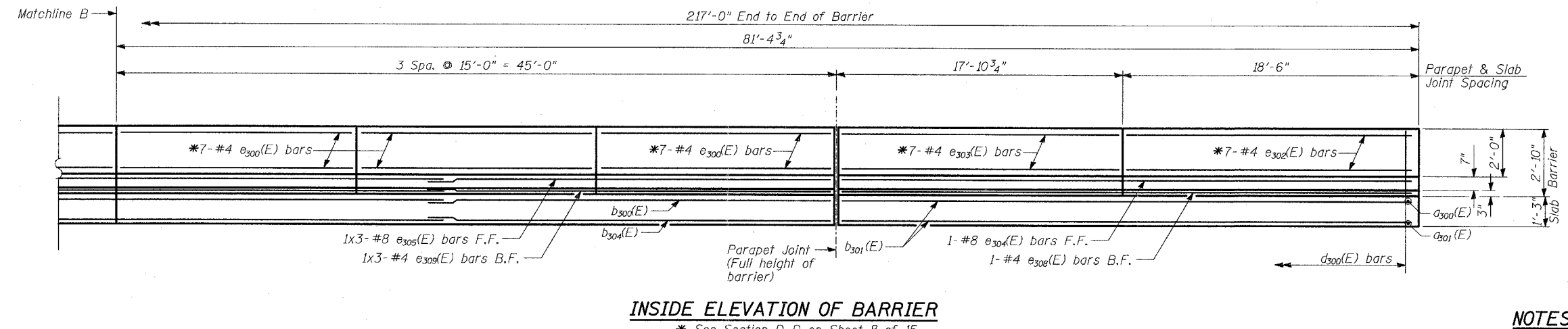
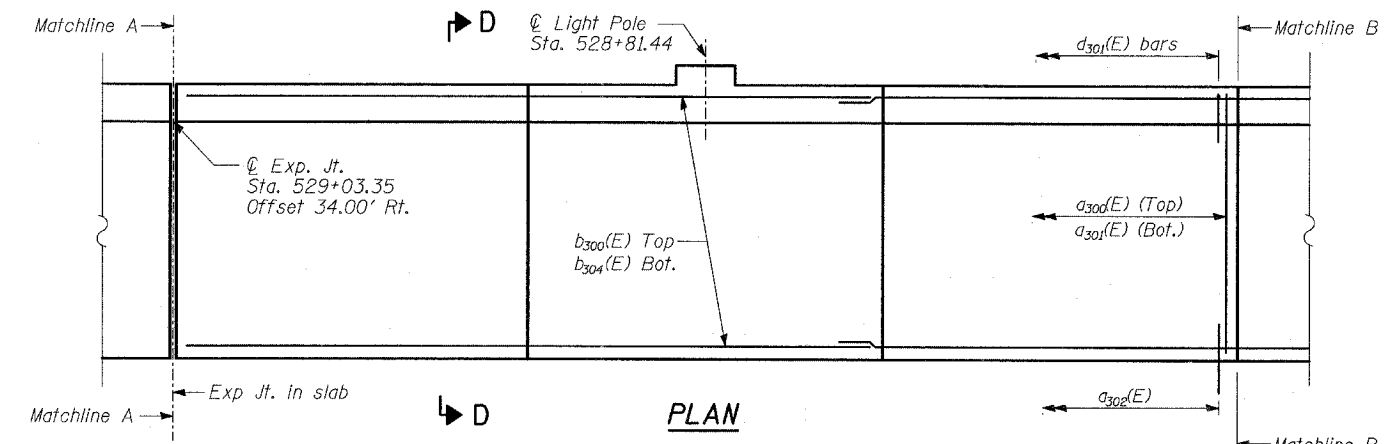
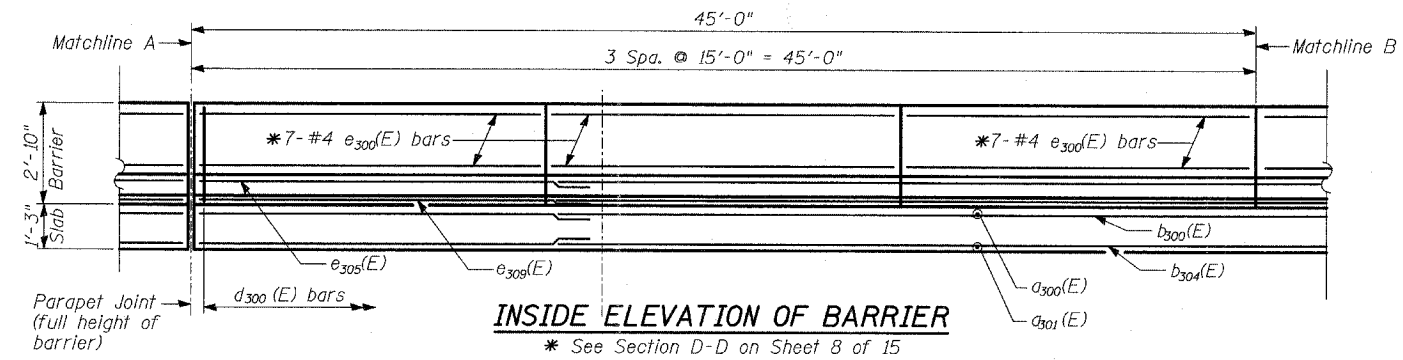


STATE OF ILLINOIS
DEPARTMENT OF TRANSPORTATION

ROUTE NO.	SECTION	COUNTY	TOTAL SHEETS	SHEET NO.	SHEET NO. - 9
346	*	LAKE	469	259	15 SHEETS
FED. ROAD DIST. NO.		ILLINOIS	FED. AID PROJECT-		
125X-HB-(1&2) R-1		CONTRACT # 60826			



LAP SPLICES

Bar	Lap
#4	1'-8"
#5	2'-2"
#6	2'-7"
#8	4'-6"

TYLIN INTERNATIONAL

DESIGNED	- MB
CHECKED	- AD
DRAWN	- DE
CHECKED	- AD

NOTES:

- Offsets are measured from @ & P.G.L. SB US 41.
- Work this sheet with Sheet 8 of 15.
- See Sheet 10 of 15 for Light Pole Mount Details.
- Bars indicated thus 20x3-#5 etc. indicates 20 lines of bars with 3 lengths per line.

WALL K
ANCHORAGE SLAB AND PARAPET
(2 OF 2)

FAP 346 (U.S. ROUTE 41 - SKOKIE
HIGHWAY) OVER ILLINOIS ROUTE 132
SECTION 125X-HB-(1&2)R-1
LAKE COUNTY
S.N. 049-W032