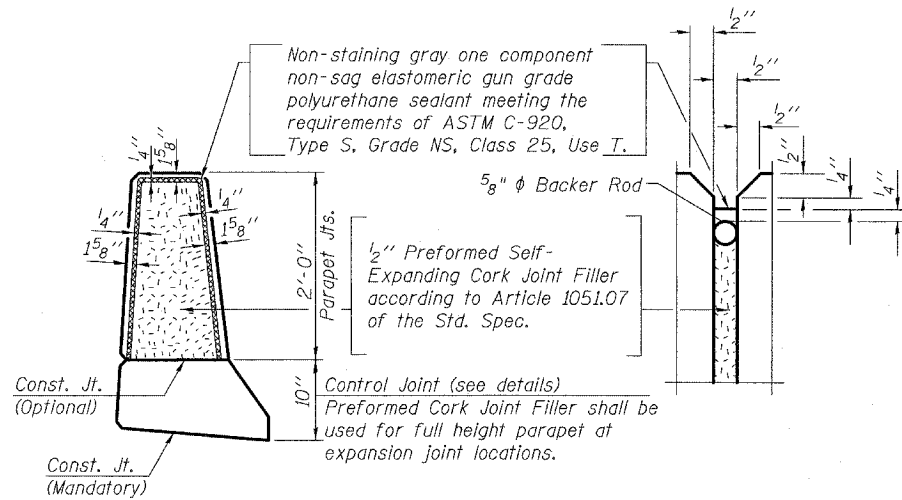


STATE OF ILLINOIS
DEPARTMENT OF TRANSPORTATION

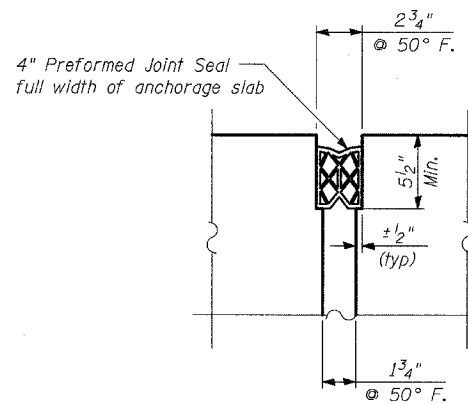
ROUTE NO.	SECTION	COUNTY	TOTAL SHEETS	SHEET NO.	SHEET NO. - 10 15 SHEETS
346		LAKE	469	260	
FED. ROAD DIST. NO.	ILLINOIS	FED. AID PROJECT	CONTRACT # 60826		

* 125X-HB-(1&2) R-1

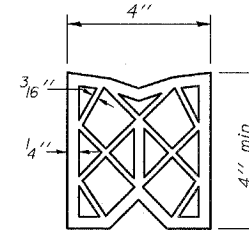


PARAPET JOINT DETAILS

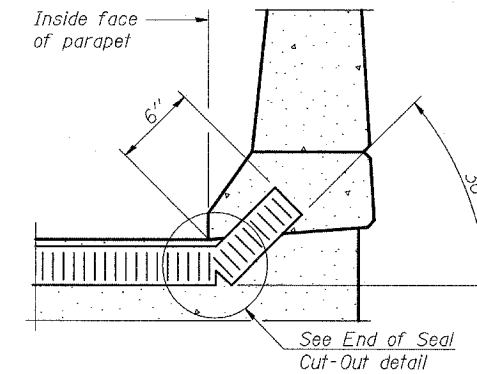
(Cost included with Concrete Superstructure)



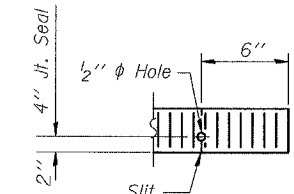
SECTION



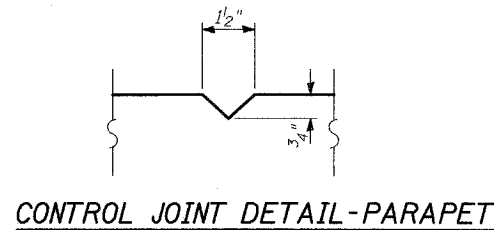
PREFORMED JOINT SEAL



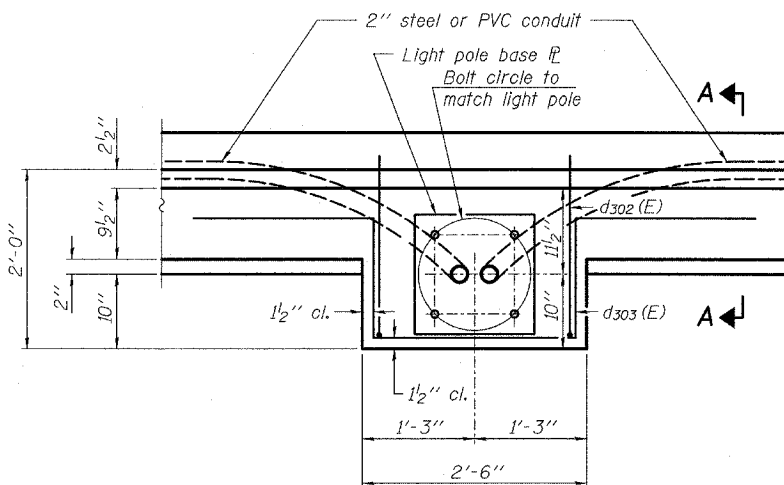
END OF SEAL TREATMENT AT PARAPET



END OF SEAL CUT-OUT

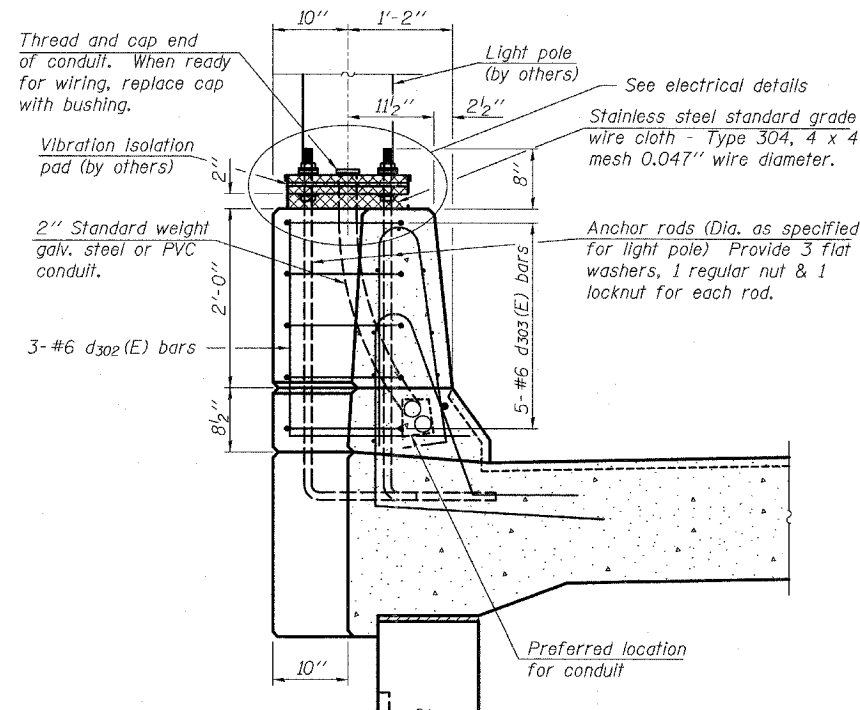


CONTROL JOINT DETAIL-PARAPET



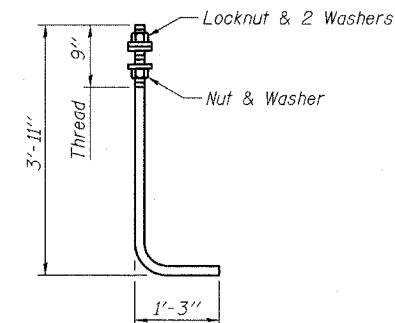
PLAN

Note:
Cost of anchor rods and conduit is included with Concrete Superstructure.



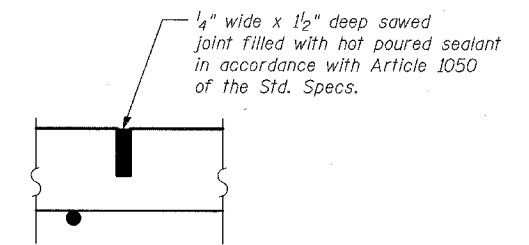
SECTION A-A

DETAIL - EXPANSION JOINT IN SLAB



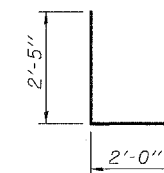
ANCHOR ROD

Diameter as specified for light poles.
(ASTM F 1554 Grade 105)

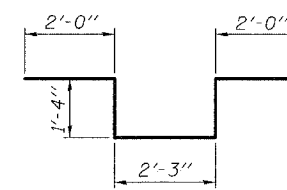


CONTROL JOINT DETAIL-SLAB

(Cost included with Concrete Structures)



BAR d₃₀₂(E)



BAR d₃₀₃(E)

**WALL K
MISCELLANEOUS DETAILS**

FAP 346 (U.S. ROUTE 41 - SKOKIE
HIGHWAY) OVER ILLINOIS ROUTE 132
SECTION 125X-HB-(1&2)R-1
LAKE COUNTY
S.N. 049-W032

TYLIN INTERNATIONAL

DESIGNED	- MB
CHECKED	- AD
DRAWN	- CM
CHECKED	- AD