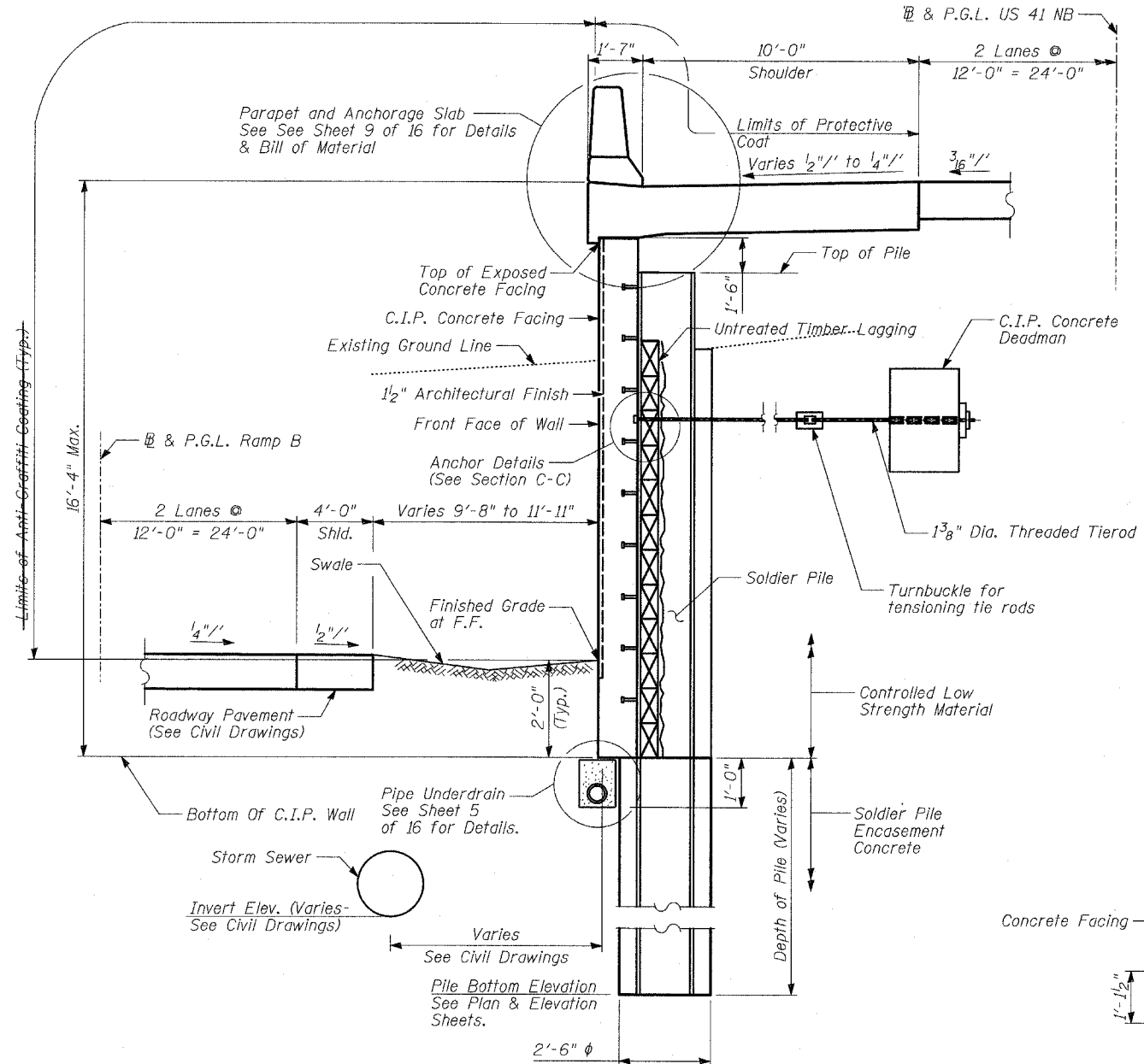


STATE OF ILLINOIS
DEPARTMENT OF TRANSPORTATION

ROUTE NO.	SECTION	COUNTY	TOTAL SHEETS	SHEET NO.	SHEET NO. - 6 16 SHEETS
346		LAKE	469	271	
FED. ROAD DIST. NO.		ILLINOIS	FED. AID PROJECT		
• 125X-HB-(1&2) R-1		CONTRACT # 60826			

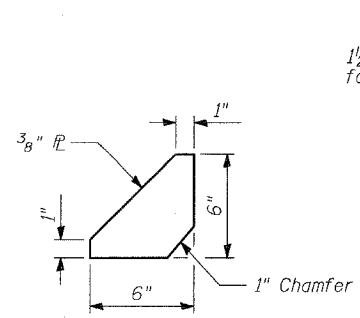


SECTION B-B
Sta. 529+38.28 to Sta. 530+19.78

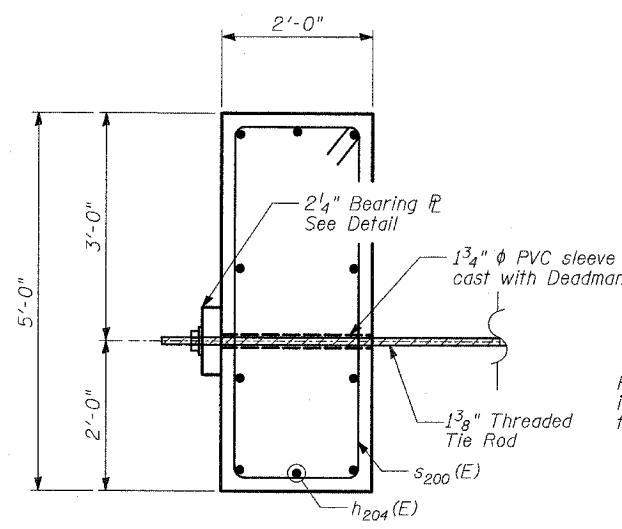
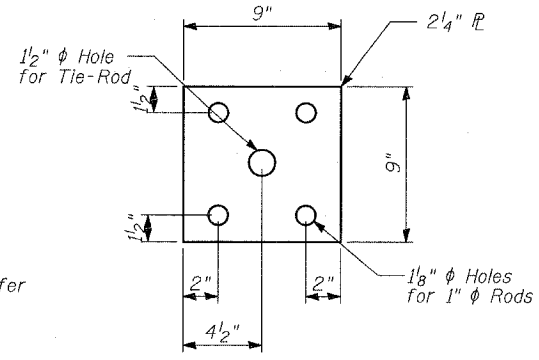
TYLIN INTERNATIONAL

DESIGNED	- MB
CHECKED	- AD
DRAWN	- CM
CHECKED	- AD

PLATE STIFFENER DETAIL

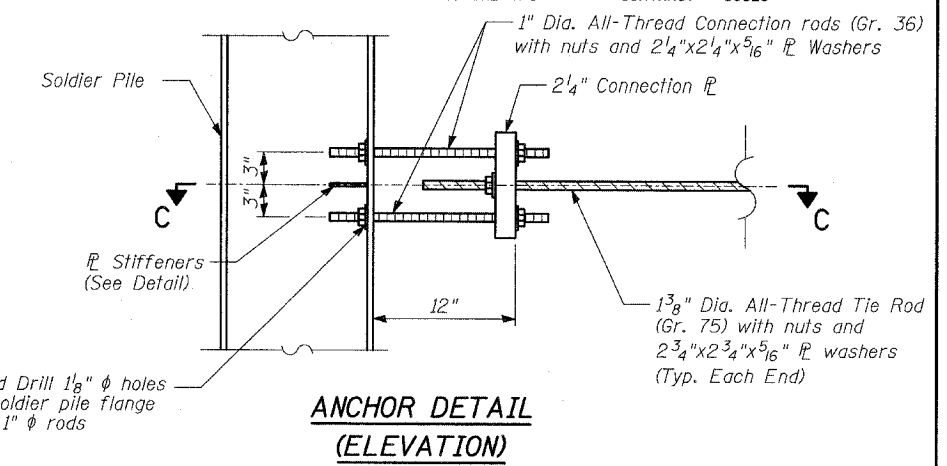
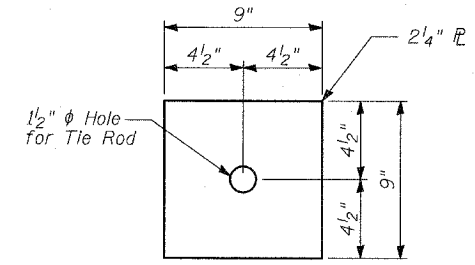


CONNECTION PLATE DETAIL

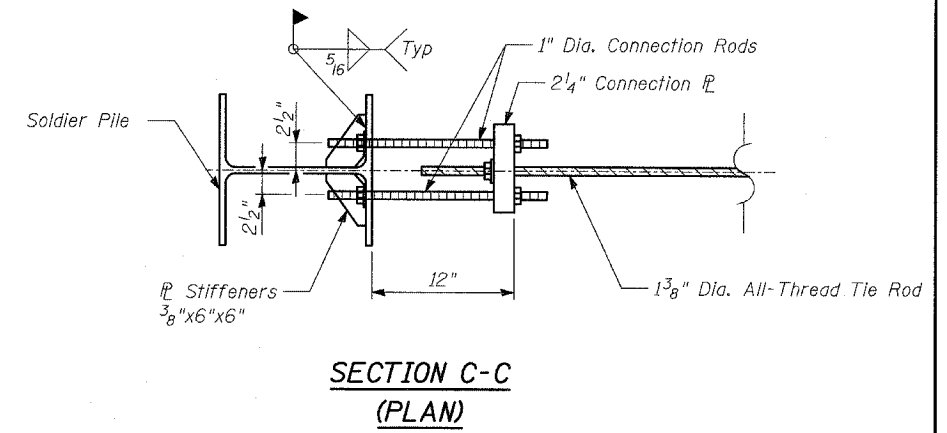


SECTION - CONCRETE DEADMAN

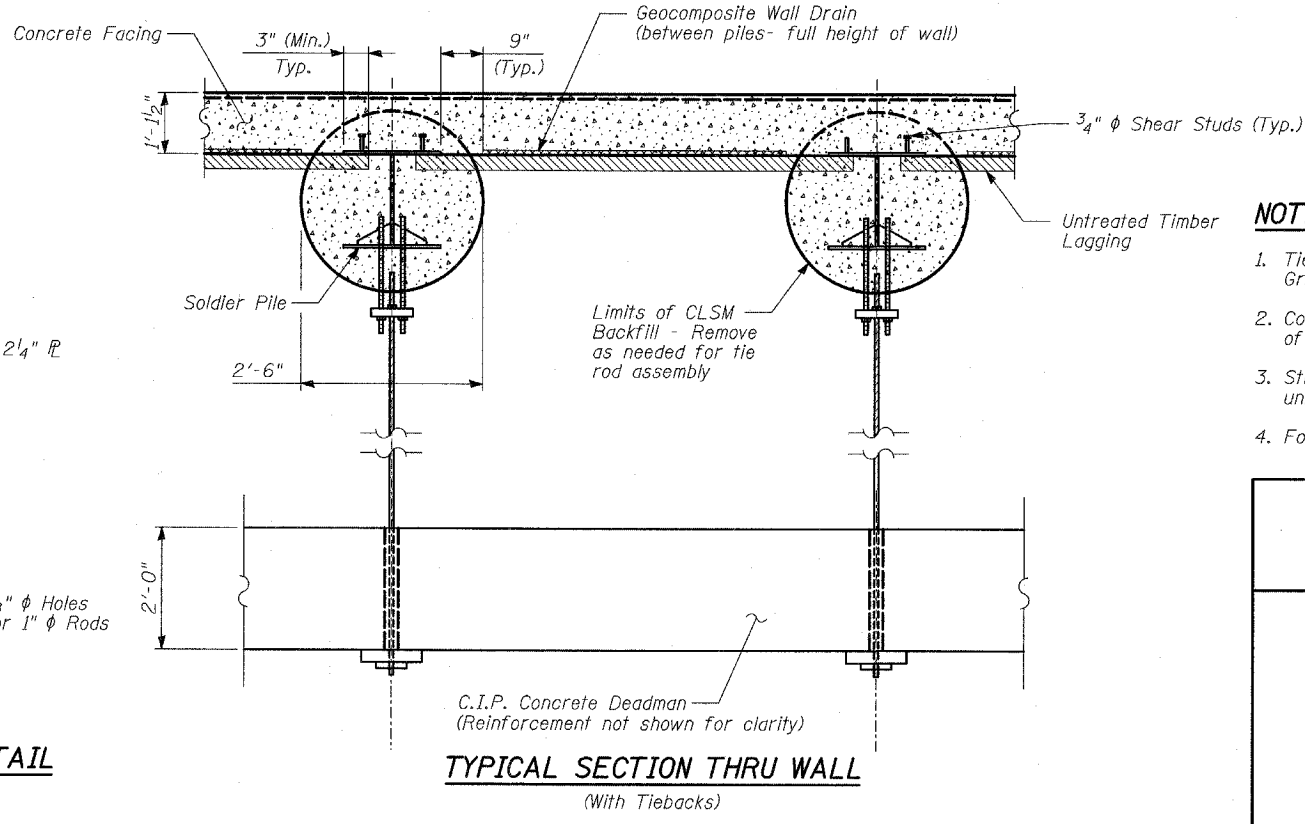
BEARING PLATE DETAIL



ANCHOR DETAIL (ELEVATION)



SECTION C-C (PLAN)



TYPICAL SECTION THRU WALL (With Tiebacks)

NOTES:

1. Tie Rods shall meet the requirements of ASTM A615, Gr. 75 of the diameter specified.
2. Connection Rods shall meet the requirements of ASTM A36 of the diameter specified.
3. Stiffener, Bearing, and Connection plates shall be ASTM A36, unless otherwise noted.
4. For additional Soldier Pile Wall details, see Sheet 5 of 16.

WALL L SECTIONS AND DETAILS (2 OF 2)

FAP 346 (U.S. ROUTE 41 - SKOKIE HIGHWAY) OVER ILLINOIS ROUTE 132
SECTION 125X-HB-(1&2)R-1
LAKE COUNTY
S.N. 049-W033