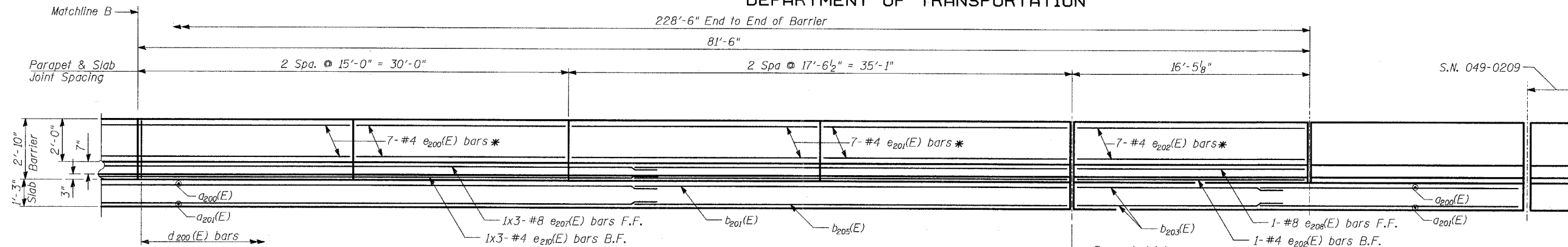


STATE OF ILLINOIS
DEPARTMENT OF TRANSPORTATION

ROUTE NO.	SECTION	COUNTY	TOTAL SHEETS	SHEET NO.	SHEET NO. - 9
346		LAKE	469	274	16 SHEETS
FED. ROAD DIST. NO.	ILLINOIS	FED. AID PROJECT	CONTRACT # 60826		
125X-HB-(1&2) R-1					

DEPARTMENT OF TRANSPORTATION

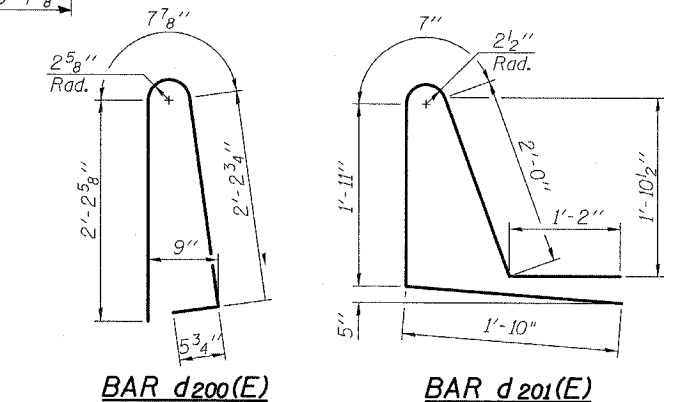
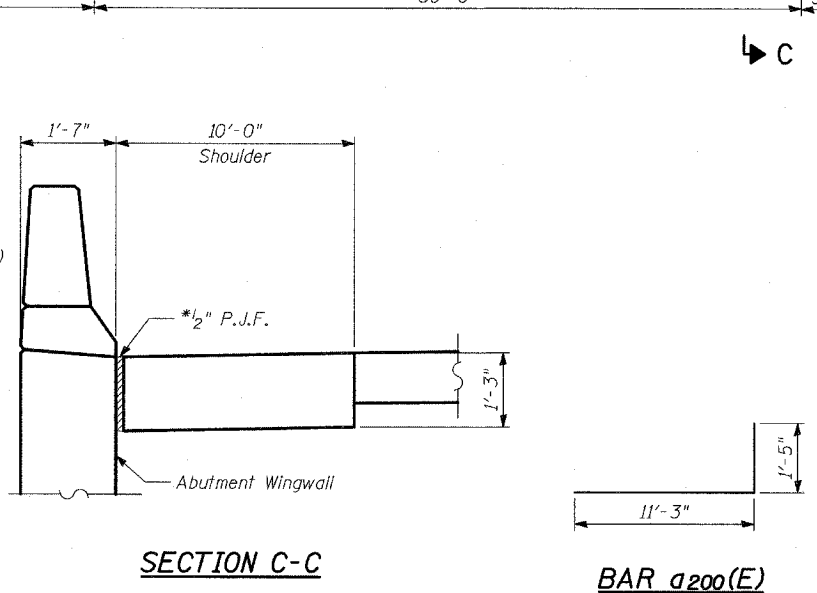
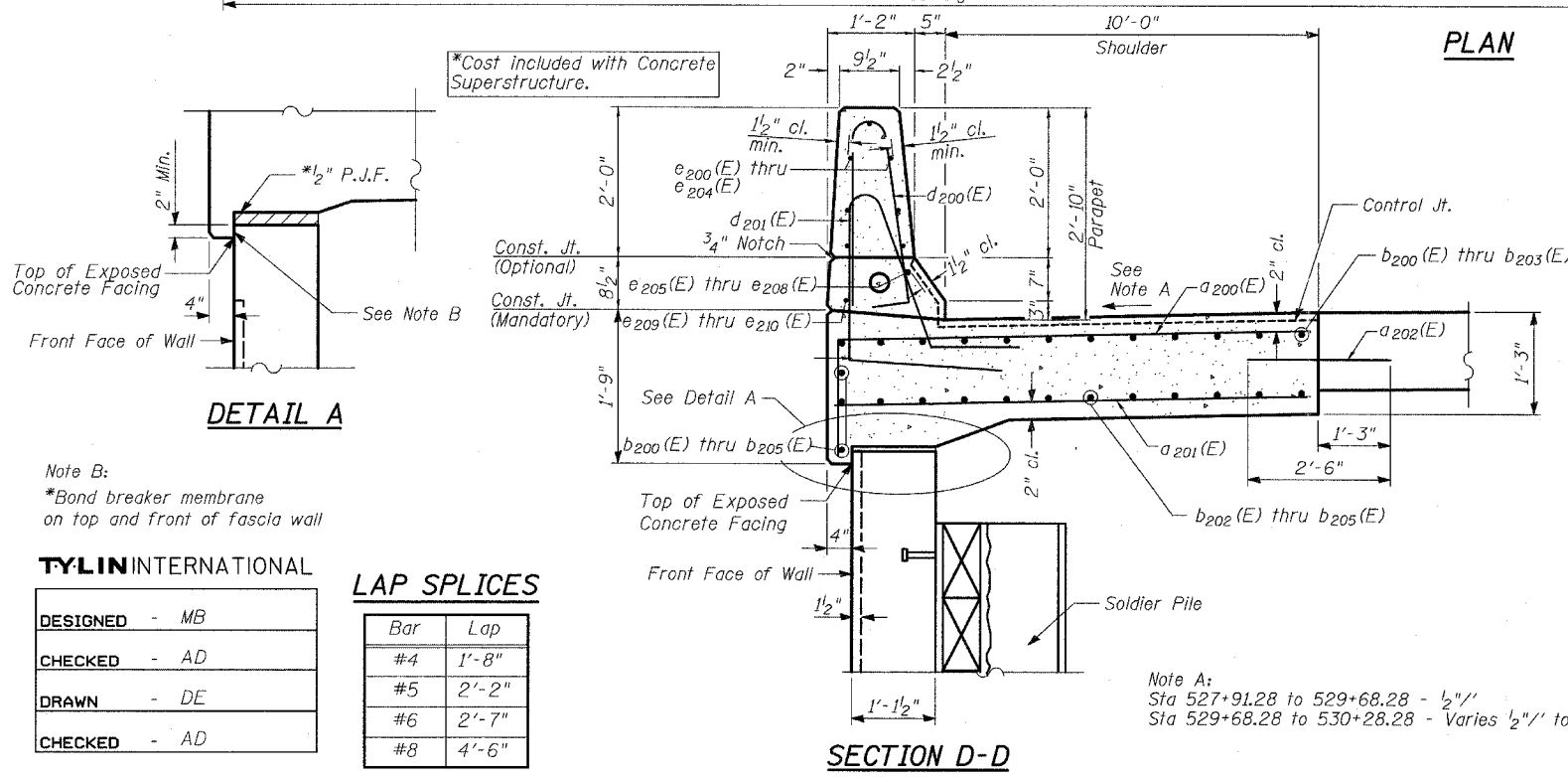
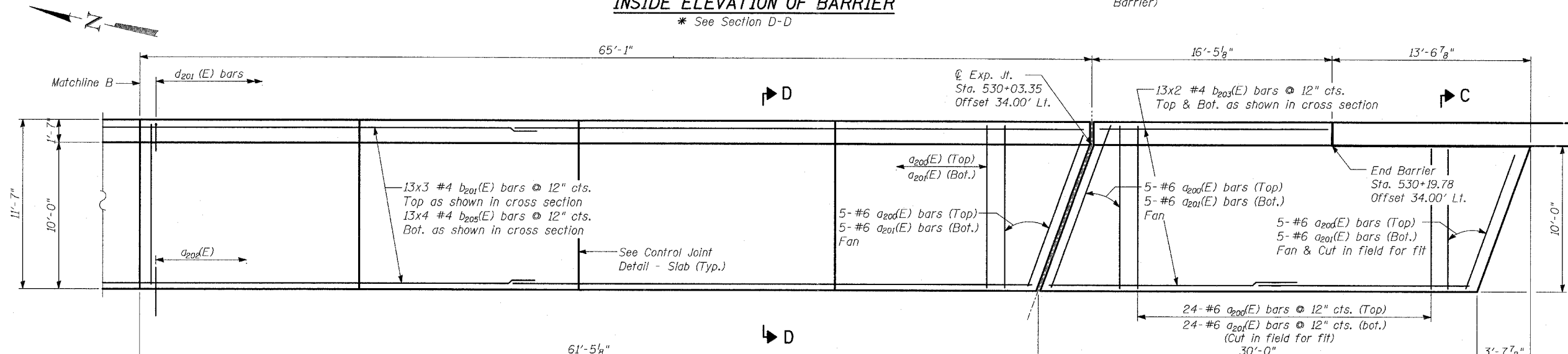


INSIDE ELEVATION OF BARRIER

* See Section D-D

BILL OF MATERIAL

Bar	No.	Size	Length	Shape
a200(E)	246	#6	12'-8"	U
a201(E)	246	#6	11'-3"	U
a202(E)	239	#6	2'-6"	U
b200(E)	39	#4	31'-0"	U
b201(E)	39	#4	34'-4"	U
b202(E)	26	#4	21'-9"	U
b203(E)	52	#4	15'-8"	U
b204(E)	52	#4	23'-8"	U
b205(E)	52	#4	26'-2"	U
a200(E)	250	#5	5'-7"	U
a201(E)	250	#5	7'-5"	U
a202(E)	3	#6	4'-5"	U
a203(E)	5	#6	8'-11"	U
e200(E)	63	#4	14'-9"	U
e201(E)	14	#4	17'-3"	U
e202(E)	8	#4	16'-1"	U
e203(E)	8	#4	21'-9"	U
e204(E)	7	#4	19'-7"	U
e205(E)	1	#8	21'-9"	U
e206(E)	3	#8	32'-11"	U
e207(E)	3	#8	36'-3"	U
e208(E)	1	#8	16'-1"	U
e209(E)	3	#4	31'-0"	U
e210(E)	3	#4	34'-4"	U
Protective Coat		Sq. Yd.	350	
Concrete Superstructure		Cu. Yd.	158	
Reinforcement Bars, Epoxy Coated		Pound	19,430	



WALL L
ANCHORAGE SLAB AND PARAPET
(2 OF 2)

FAP 346 (U.S. ROUTE 41 - SKOKIE
HIGHWAY) OVER ILLINOIS ROUTE 132
SECTION 125X-HB-(1&2)R-1
LAKE COUNTY
S.N. 049-W033

TYLIN INTERNATIONAL

DESIGNED	- MB
CHECKED	- AD
DRAWN	- DE
CHECKED	- AD

LAP SPLICES

Bar	Lap
#4	1'-8"
#5	2'-2"
#6	2'-7"
#8	4'-6"

NOTES:

- Offsets are measured from \square & P.G.L. NB US 41.
- Work this sheet with Sheets 8 of 16.
- Bars indicated thus 20x3-#5 etc. indicates 20 lines of bars with 3 lengths per line.

Note A:
Sta 527+91.28 to 529+68.28 - 1/2"//
Sta 529+68.28 to 530+28.28 - Varies 1/2"// to 1/4"//