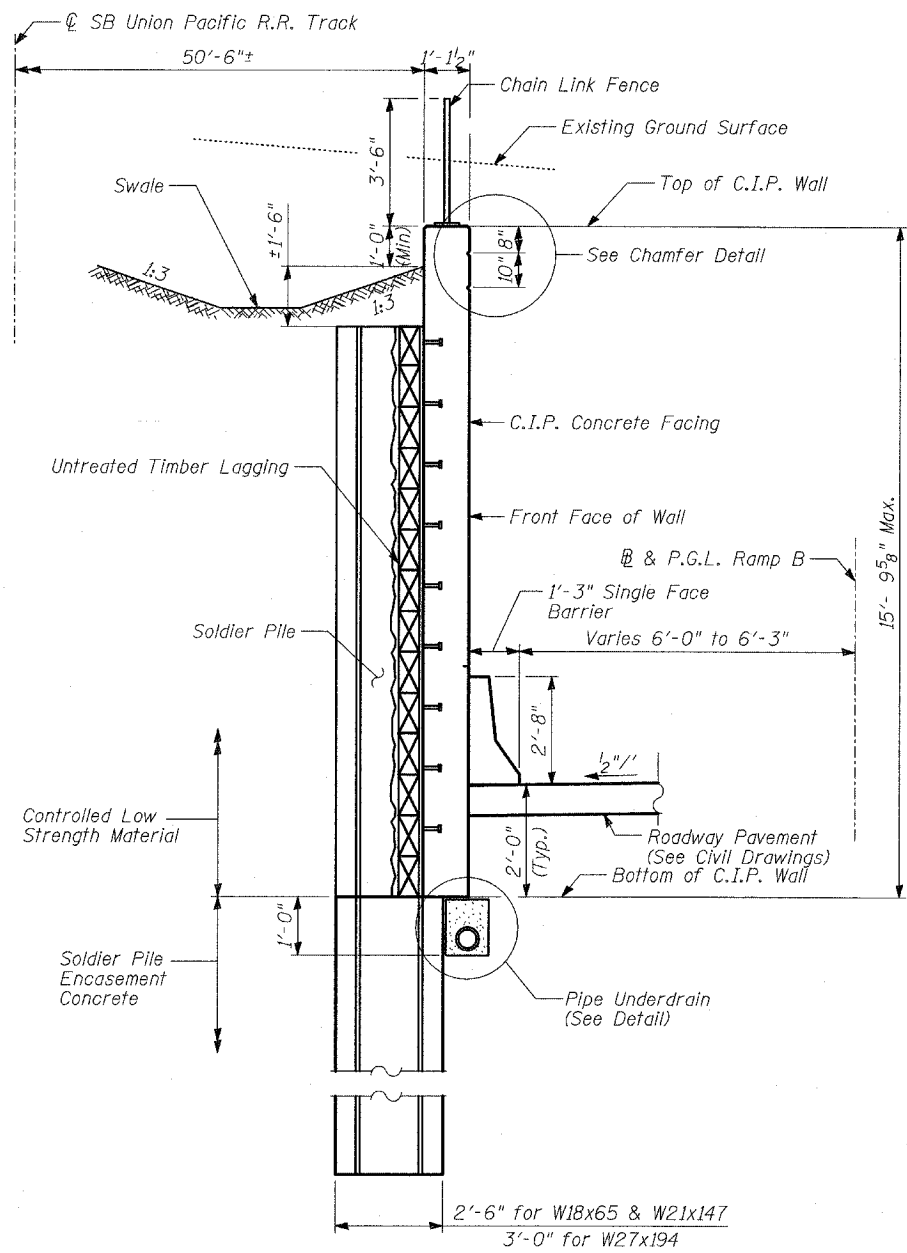


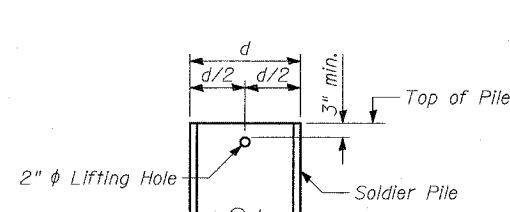
STATE OF ILLINOIS
DEPARTMENT OF TRANSPORTATION

ROUTE NO.	SECTION	COUNTY	TOTAL SHEETS	SHEET NO.
346		LAKE	469	289
FED. ROAD DIST. NO.		ILLINOIS	FED. AID PROJECT-	
		125X-HB-(1&2) R-1	CONTRACT # 60826	



SECTION A-A

Sta. 209+34.09 to Sta. 212+04.09
(Soldier Pile Wall)

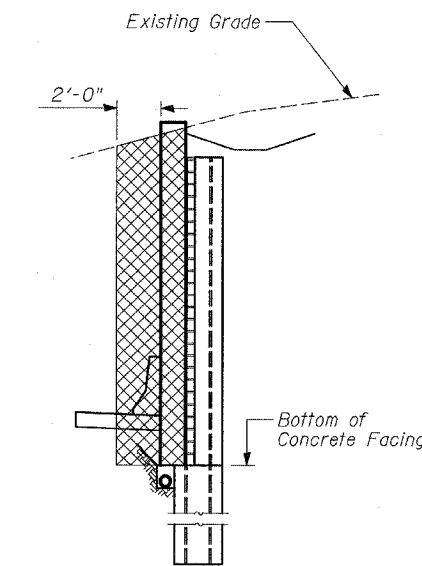


LIFTING HOLE DETAIL

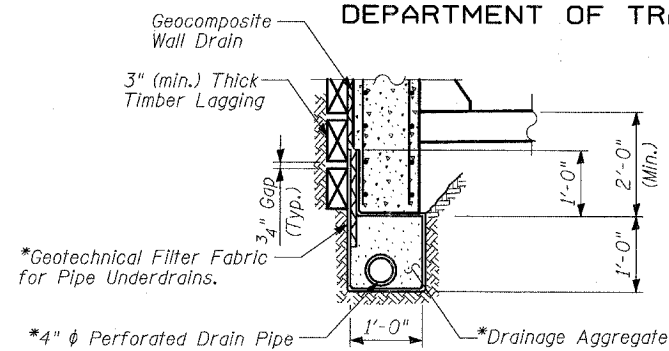
Lifting hole to be provided if necessary.
Cost included with "Furnishing Soldier Piles
(W Section)"

TYLIN INTERNATIONAL

DESIGNED	- MB
CHECKED	- AD
DRAWN	- CM
CHECKED	- AD

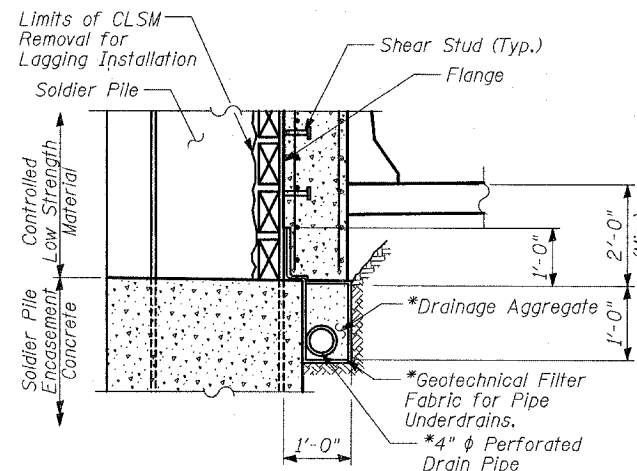


STRUCTURE EXCAVATION
(For Proposed Wall)

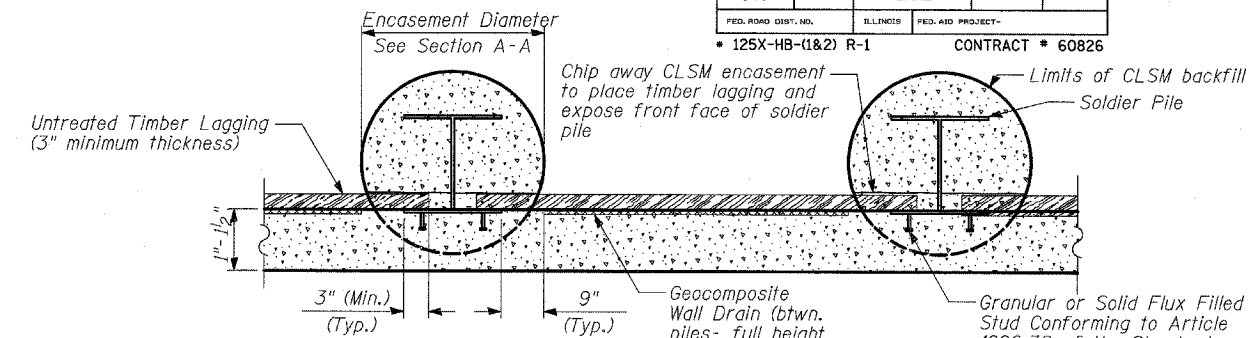


**PIPE UNDERDRAIN DETAIL
BETWEEN SOLDIER PILES**

*Included in the cost of "Pipe Underdrains for Structures"

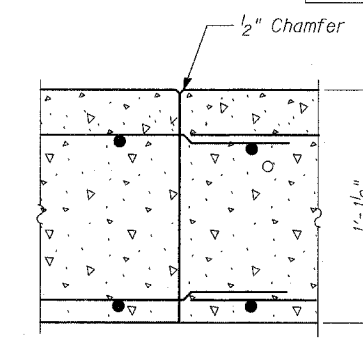


**PIPE UNDERDRAIN DETAIL
AT SOLDIER PILE**

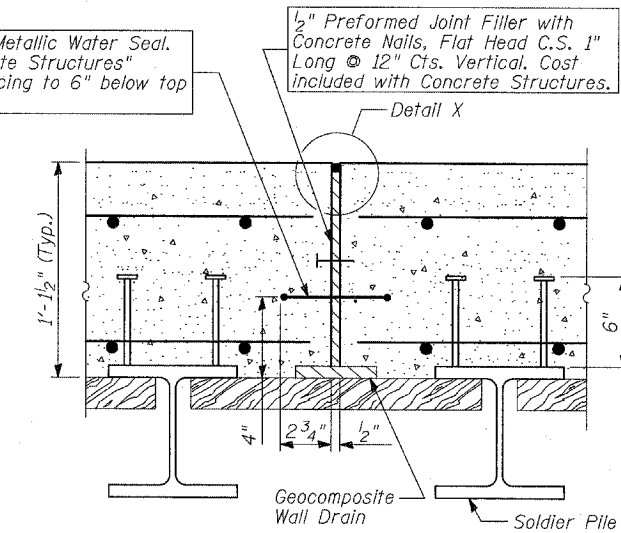


**TYPICAL SECTION THRU
SOLDIER PILE WALL**

6" Hollow Bulb Type Non-Metallic Water Seal.
Cost included with "Concrete Structures"
Extend from bottom of facing to 6" below top of facing.



CONSTRUCTION JOINT DETAIL

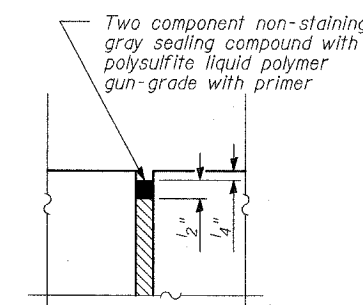


EXPANSION JOINT DETAIL

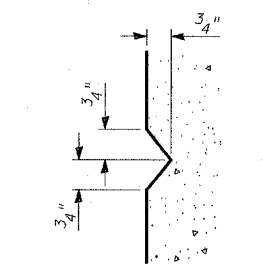
ITEM	UNIT	TOTAL
Structure Excavation	CU YD	770
Stud Shear Connectors	EACH	408
Untreated Timber Lagging	SQ FT	2,202
Geocomposite Wall Drain	SQ YD	546
Pipe Underdrains for Structures, 4"	FOOT	450

NOTES: BILL OF MATERIAL

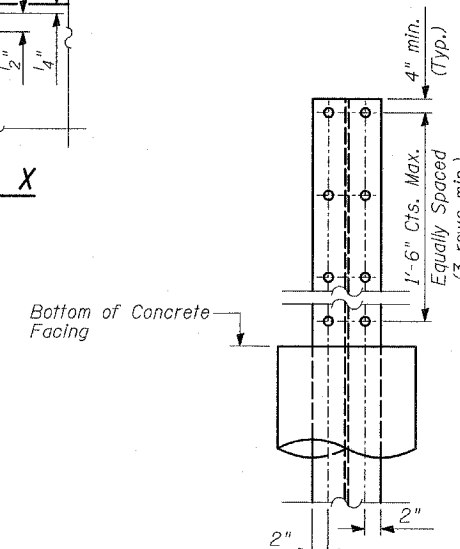
- The Geocomposite Wall Drain shall be constructed according to Section 591 of the Standard Specifications.
- The Contractor is responsible for the design and performance of the lagging using no less than 3" nominal rough-sawn thickness and the minimum tabulated unit stress in bending (f_b), used in the design of timber lagging shall be 1000 psi.
- Stud shear connectors shall be 3/4" ϕ x 6" granular or solid flux filled headed studs, automatically end welded to the front flange of the soldier piles.



DETAIL X



CHAMFER DETAIL
Cost of Chamfer included with "Concrete Structures"



SHEAR STUD CONNECTOR DETAIL

**WALL M
DETAILS (1 OF 2)**

FAP 346 (U.S. ROUTE 41 - SKOKIE
HIGHWAY) OVER ILLINOIS ROUTE 132
SECTION 125X-HB-(1&2)R-1
LAKE COUNTY
S.N. 049-W034