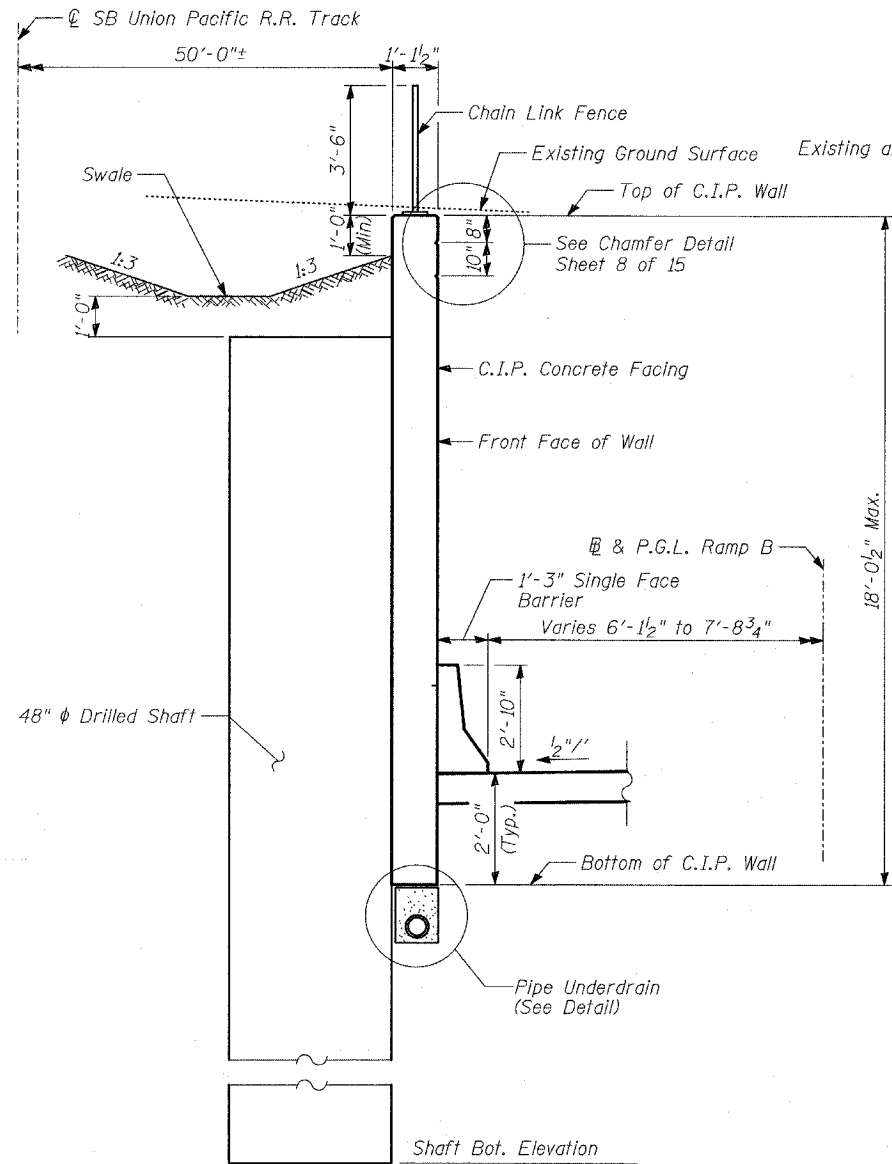


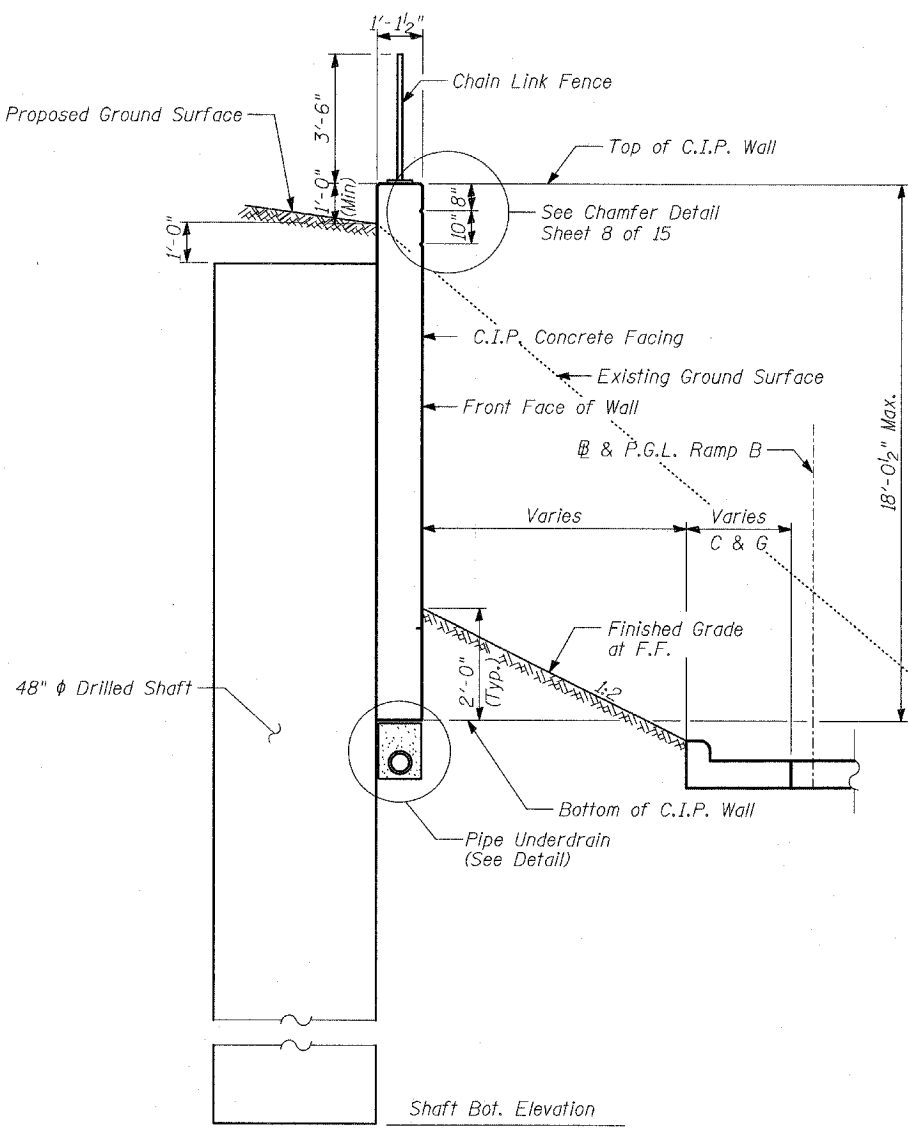
STATE OF ILLINOIS
DEPARTMENT OF TRANSPORTATION

ROUTE NO.	SECTION	COUNTY	TOTAL SHEETS	SHEET NO.	SHEET NO. - 9
346		LAKE	469	290	17 SHEETS
FED. ROAD DIST. NO.		ILLINOIS	FED. AID PROJECT-		
		• 125X-HB-(1&2) R-1		CONTRACT # 60826	



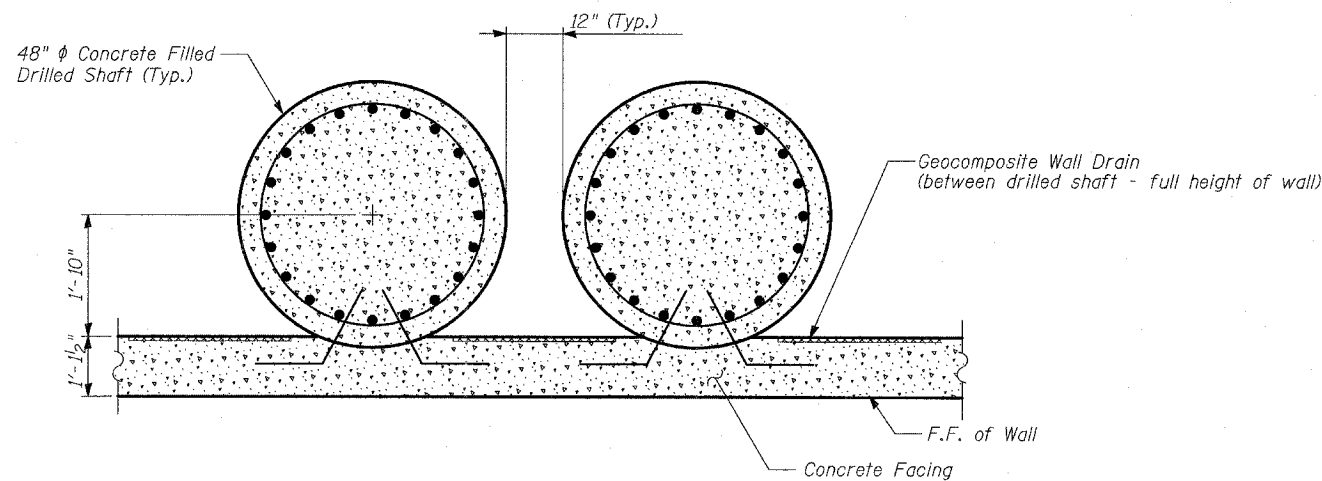
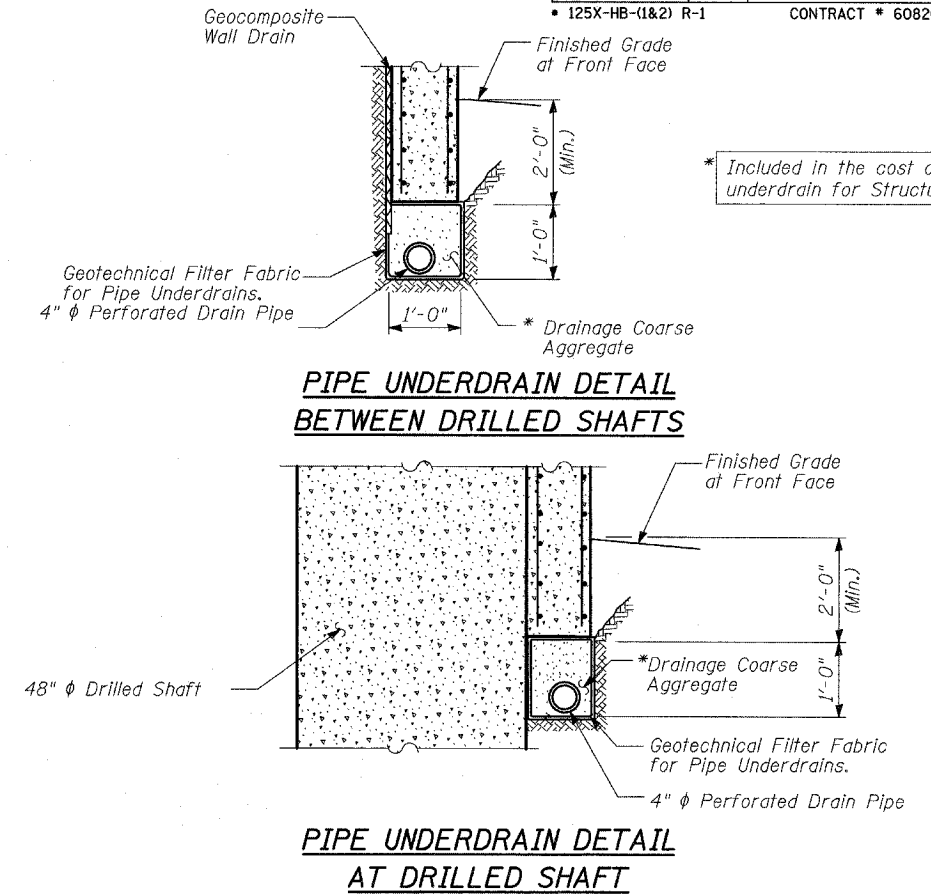
SECTION B-B

Sta. 212+04.09 to Sta. 213+42.09
(Tangent Pile Wall)



SECTION C-C

Sta. 213+42.09 to Sta. 213.73.11
(Tangent Pile Wall)



**TYPICAL SECTION THRU
TANGENT PILE WALL**

TYLIN INTERNATIONAL

DESIGNED	- MB
CHECKED	- CM/AD
DRAWN	- DE
CHECKED	- CM/AD

**WALL M
DETAILS (2 OF 2)**

FAP 346 (U.S. ROUTE 41 - SKOKIE
HIGHWAY) OVER ILLINOIS ROUTE 132
SECTION 125X-HB-(1&2)R-1
LAKE COUNTY
S.N. 049-W034