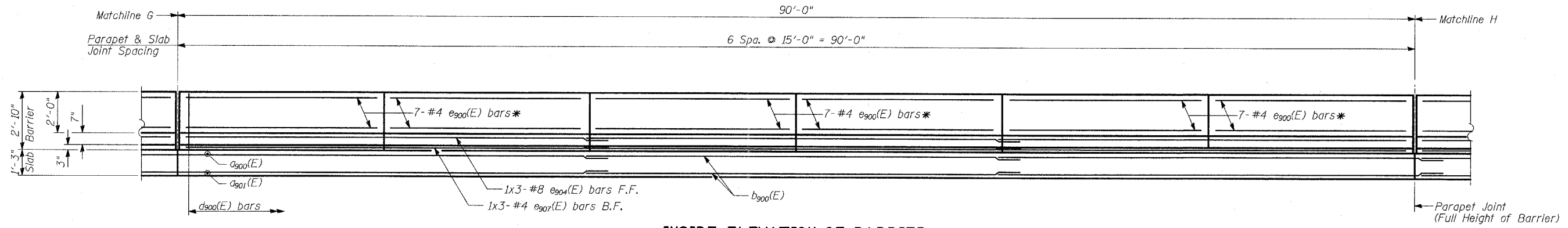


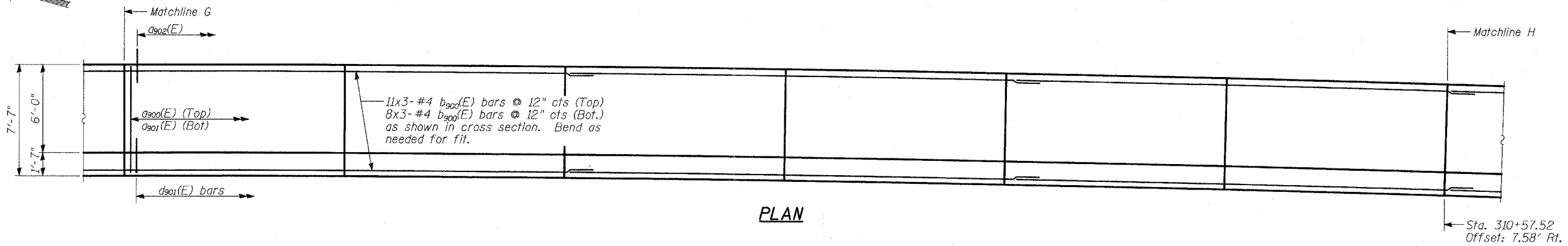
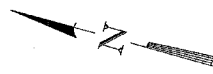
STATE OF ILLINOIS
DEPARTMENT OF TRANSPORTATION

ROUTE NO.	SECTION	COUNTY	TOTAL SHEETS	SHEET NO.	SHEET NO. - 6 15 SHEETS
346	*	LAKE	469	304	
FED. ROAD DIST. NO.	ILLINOIS	FED. AID PROJECT-			
			* 125X-HB-(1&2) R-1 CONTRACT # 60826		

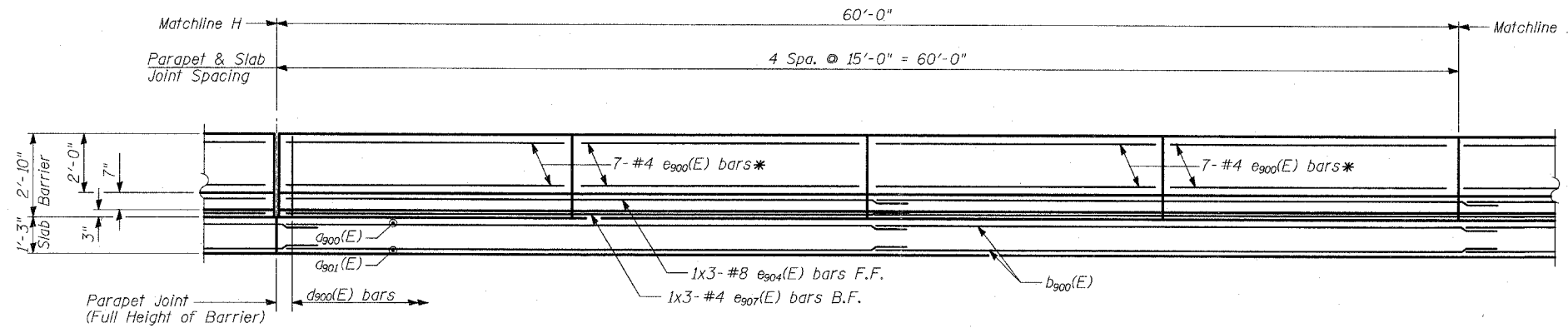


INSIDE ELEVATION OF BARRIER

* See Section A-A on Sheet 8 of 15

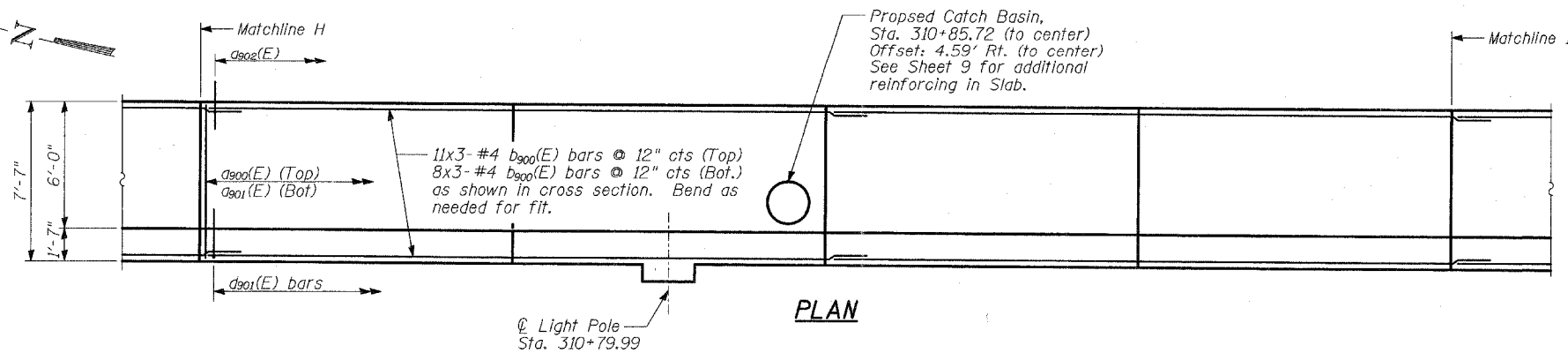
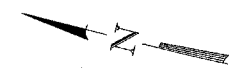


PLAN



INSIDE ELEVATION OF BARRIER

* See Section A-A on Sheet 8 of 15



PLAN

NOTES

1. Offsets are measured from @ & P.G.L. Ramp C.
2. Dimensions are measured along Outside Face of Slab/Barrier.
3. Work this Sheet with Sheets 8 and 9 of 15.
4. See Sheet 9 of 15 for Light Pole Mount Details.
5. Bars indicated 20x3 indicate 20 lengths of bars with 3 lengths per line.

TYLIN INTERNATIONAL

DESIGNED	- SP
CHECKED	- AD
DRAWN	- MAF
CHECKED	- AD

LAP SPLICES

Bar	Lap
#4	1'-8"
#5	2'-2"
#6	2'-7"
#8	4'-6"

**ANCHORAGE SLAB AND PARAPET
(4 OF 5)**

FAP 346 (U.S. ROUTE 41 - SKOKIE
HIGHWAY) OVER ILLINOIS ROUTE 132
SECTION 125X-HB-(1&2)R-1
LAKE COUNTY
S.N. 049-W035