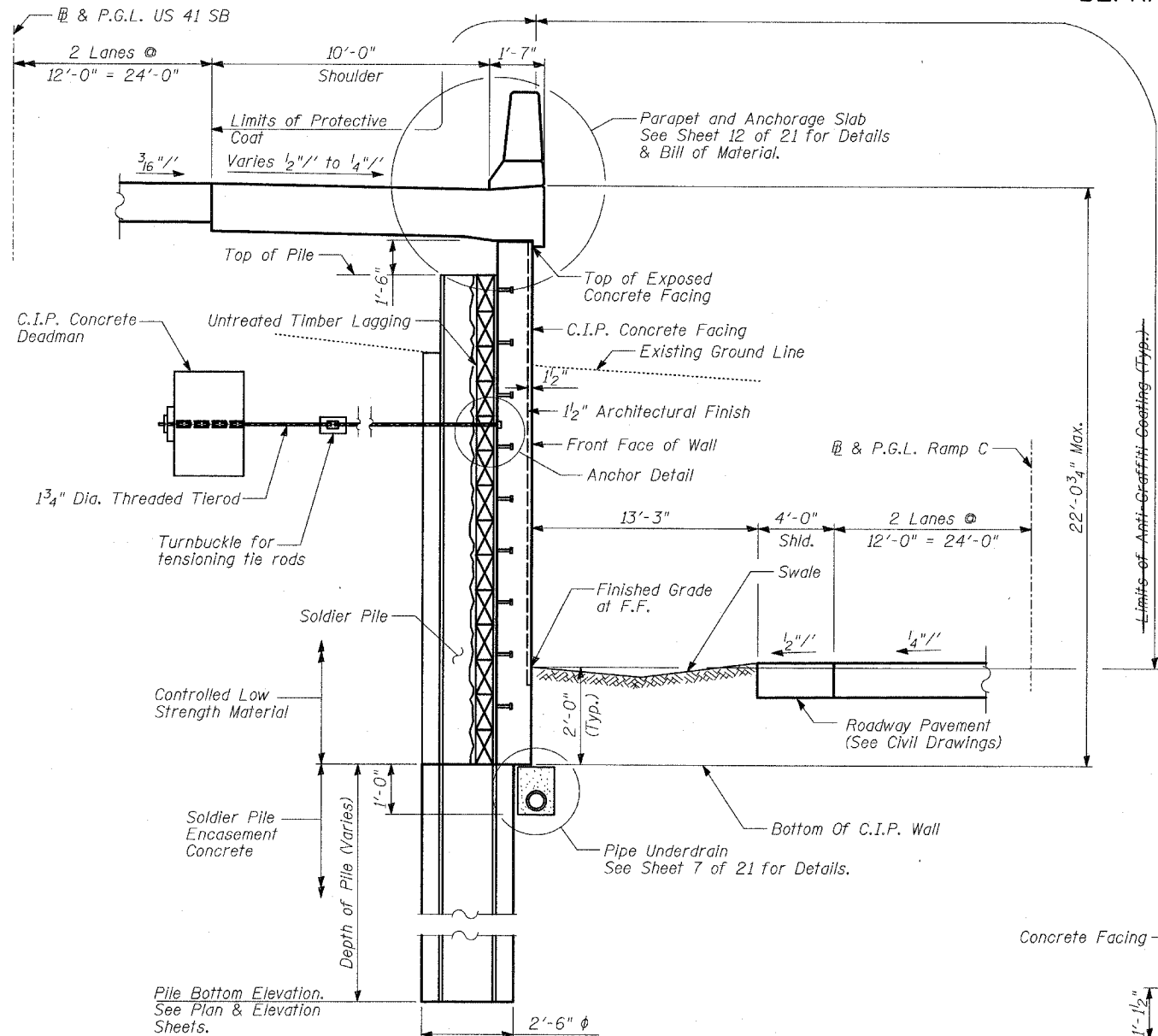


STATE OF ILLINOIS
DEPARTMENT OF TRANSPORTATION

ROUTE NO.	SECTION	COUNTY	TOTAL SHEETS	SHEET NO.	SHEET NO. - 8
346		LAKE	469	321	21 SHEETS
FED. ROAD DIST. NO.		ILLINOIS	FED. AID PROJECT-		
		• 125X-HB-(1&2) R-1		CONTRACT # 60826	



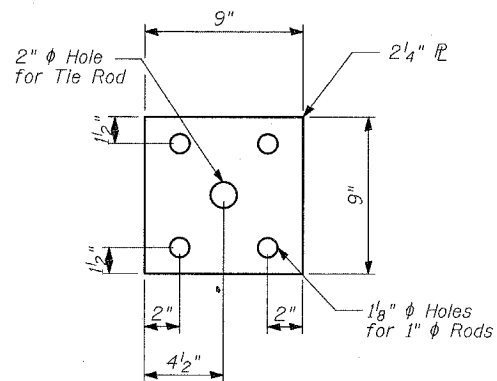
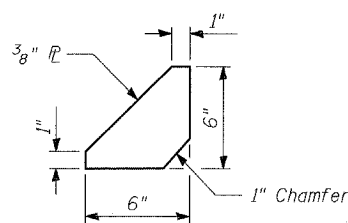
SECTION B-B

Sta. 537+09.57 to Sta. 538+18.57

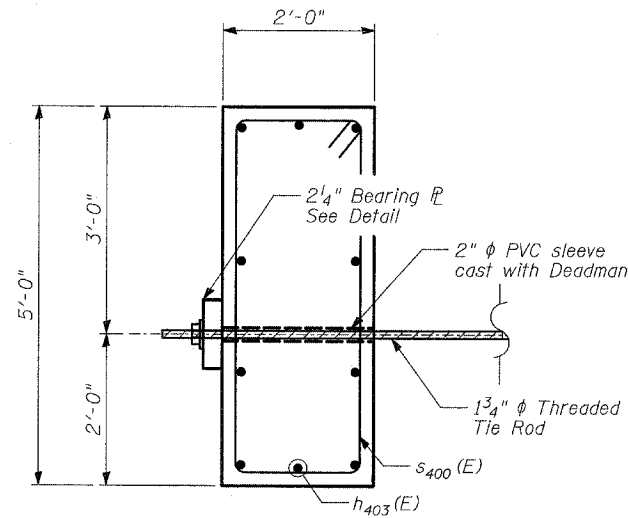
TYLIN INTERNATIONAL

DESIGNED	- MB
CHECKED	- AD
DRAWN	- CM
CHECKED	- AD

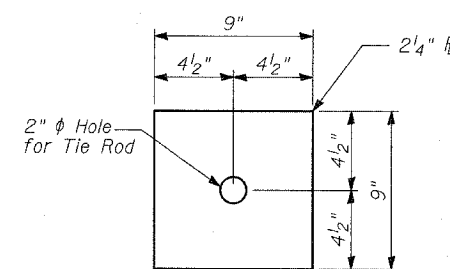
PLATE STIFFENER DETAIL



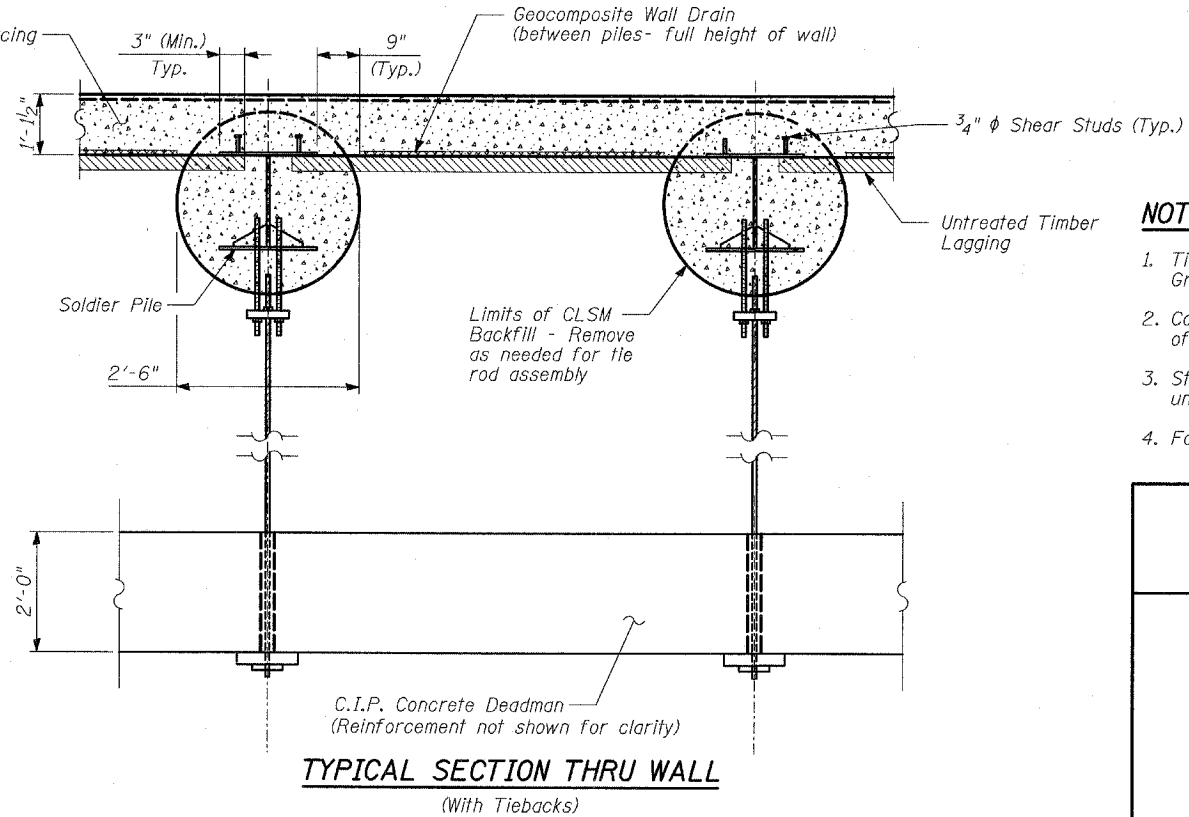
CONNECTION PLATE DETAIL



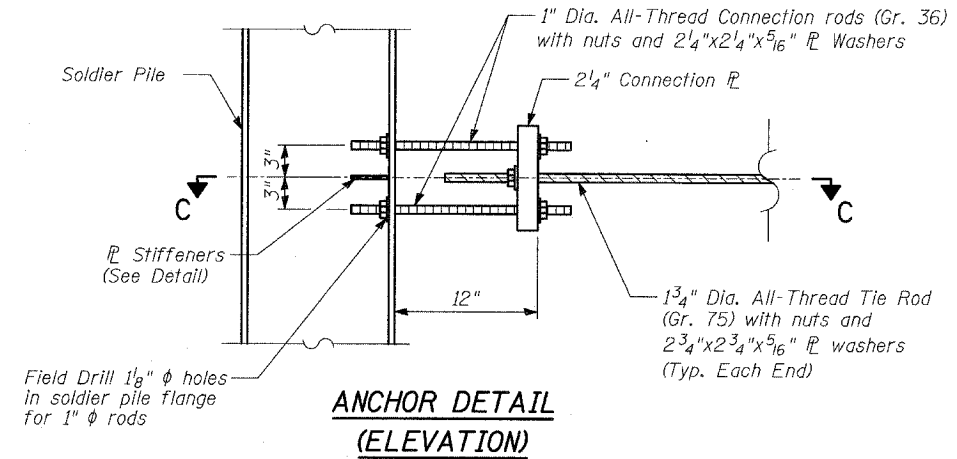
**SECTION -
CONCRETE DEADMAN**



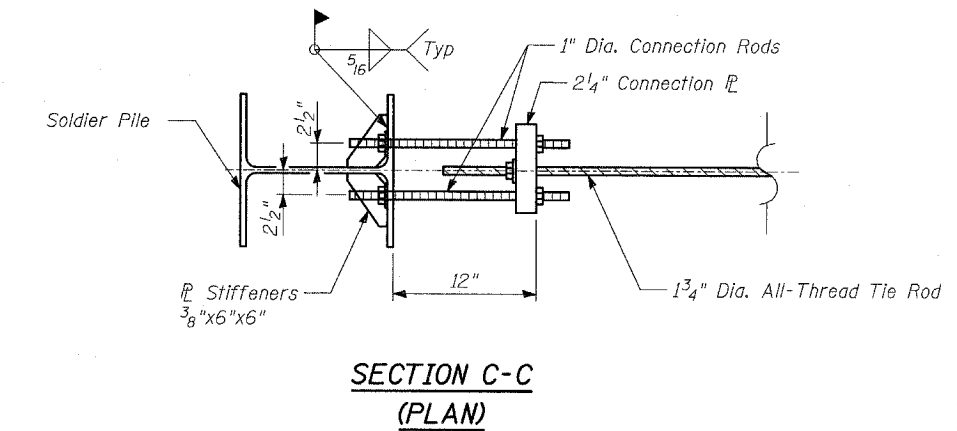
BEARING PLATE DETAIL



**TYPICAL SECTION THRU WALL
(With Tiebacks)**



**ANCHOR DETAIL
(ELEVATION)**



**SECTION C-C
(PLAN)**

NOTES:

1. Tie Rods shall meet the requirements of ASTM A615, Gr. 75 of the diameter specified.
2. Connection Rods shall meet the requirements of ASTM A36 of the diameter specified.
3. Stiffener, Bearing, and Connection plates shall be ASTM A36, unless otherwise noted.
4. For additional Soldier Pile Wall details, see Sheet 7 of 21.

**WALL 0 SECTIONS AND DETAILS
(2 OF 2)**

FAP 346 (U.S. ROUTE 41 - SKOKIE
HIGHWAY) OVER ILLINOIS ROUTE 132
SECTION 125X-HB-(1&2)R-1
LAKE COUNTY
S.N. 049-W036