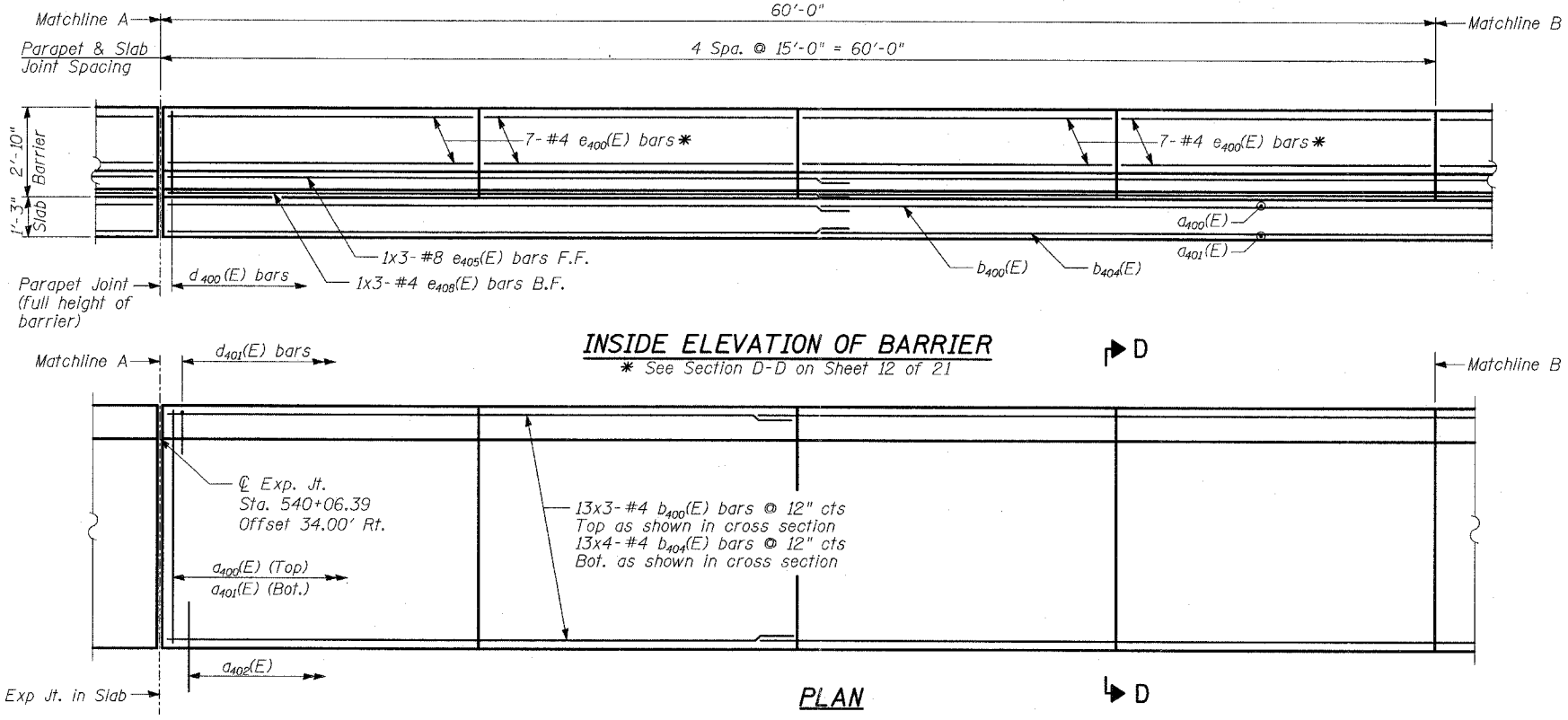
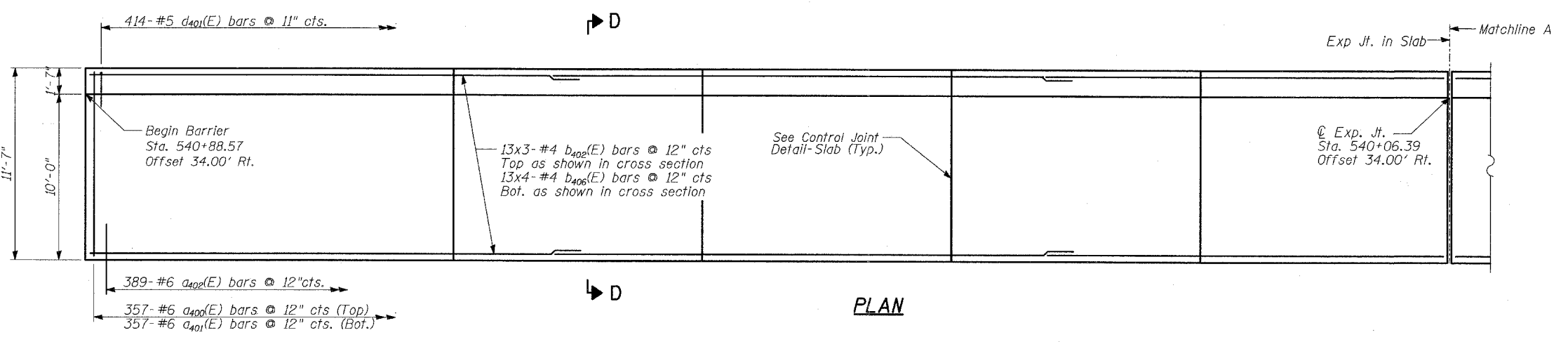
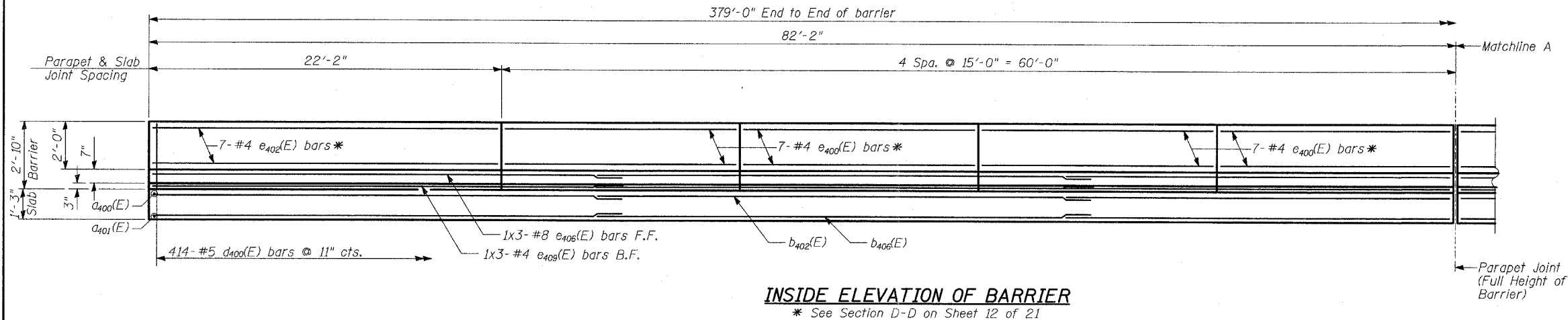


STATE OF ILLINOIS
DEPARTMENT OF TRANSPORTATION

ROUTE NO.	SECTION	COUNTY	TOTAL SHEETS	SHEET NO.	SHEET NO. - 10 21 SHEETS
346	*	LAKE	469	323	
FED. ROAD DIST. NO.	ILLINOIS	FED. AID PROJECT	CONTRACT # 60826		



- NOTES:**
1. Offsets are measured from @ & P.G.L. SB US 41.
 2. Work this sheet with Sheets 11 thru 13 of 21.
 3. Bars indicated thus 20x3-#5 etc. indicates 20 lines of bars with 3 lengths per line.

TYLIN INTERNATIONAL

DESIGNED	- MB
CHECKED	- AD
DRAWN	- DE
CHECKED	- AD

LAP SPLICES

Bar	Lap
#4	1'-8"
#5	2'-2"
#6	2'-7"
#8	4'-6"

**WALL 0
ANCHORAGE SLAB AND PARAPET
(1 OF 3)**

FAP 346 (U.S. ROUTE 41 - SKOKIE
HIGHWAY) OVER ILLINOIS ROUTE 132
SECTION 125X-HB-(1&2)R-1
LAKE COUNTY
S.N. 049-W036