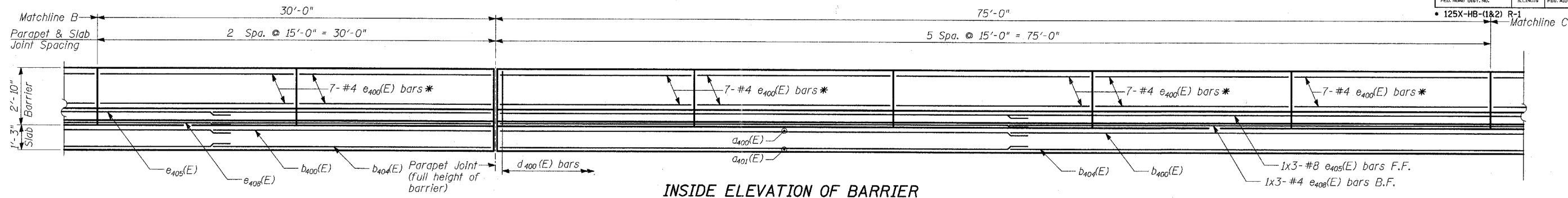


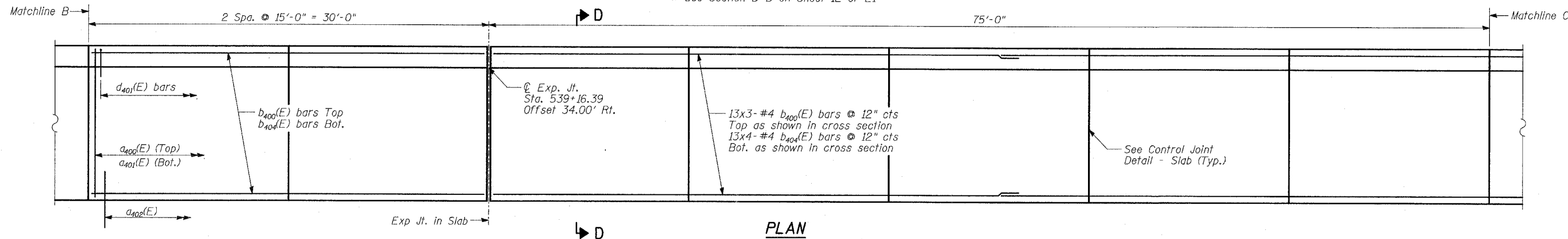
STATE OF ILLINOIS
DEPARTMENT OF TRANSPORTATION

ROUTE NO.	SECTION	COUNTY	TOTAL SHEETS	SHEET NO.	SHEET NO. - 11 21 SHEETS
346	*	LAKE	469	324	
FED. ROAD DIST. NO.	ILLINOIS	FED. AID PROJECT	CONTRACT # 60826		
* 125X-HB-(1&2) R-1					

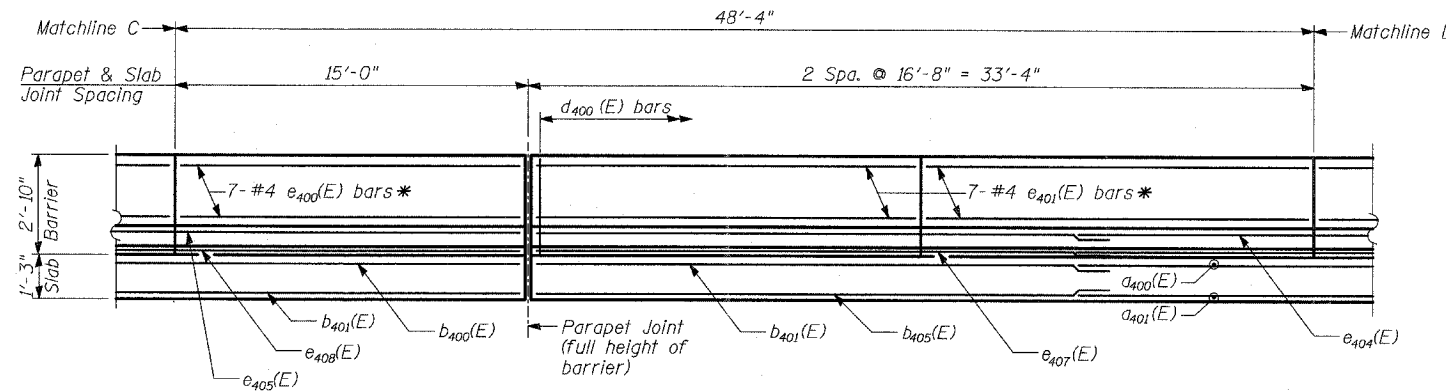


INSIDE ELEVATION OF BARRIER

* See Section D-D on Sheet 12 of 21

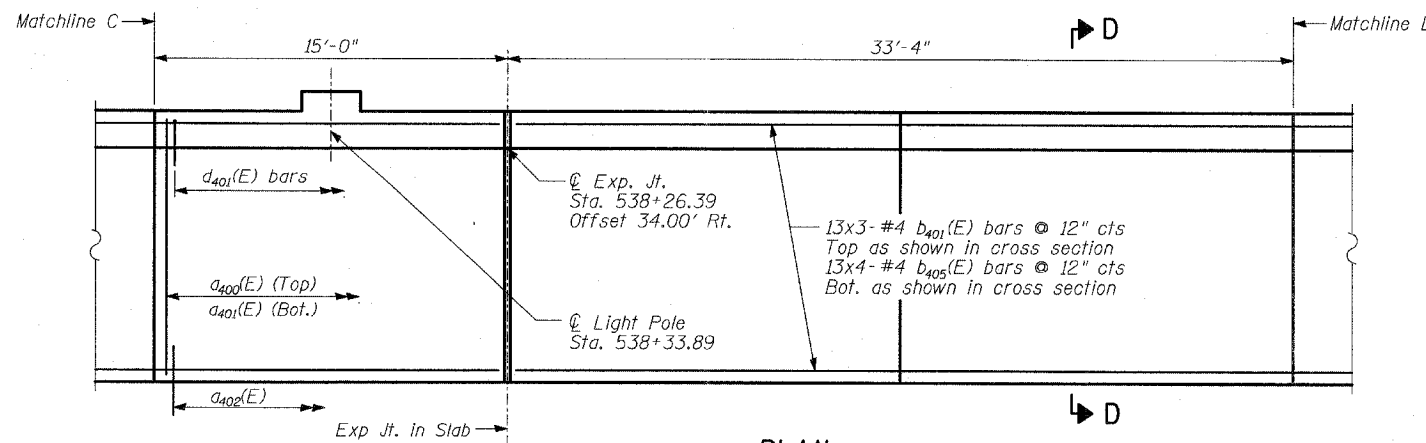


PLAN



INSIDE ELEVATION OF BARRIER

* See Section D-D on Sheet 12 of 21



PLAN

NOTES:

1. Offsets are measured from \square & P.G.L. SB US 41.
2. Work this sheet with Sheets 10, 12, and 13 of 21.
3. See Sheet 13 of 21 for Light Pole Mount Details.
4. Bars indicated thus 20x3-#5 etc. Indicates 20 lines of bars with 3 lengths per line.

TYLIN INTERNATIONAL

DESIGNED	- MB
CHECKED	- AD
DRAWN	- DE
CHECKED	- AD

**WALL 0
ANCHORAGE SLAB AND PARAPET
(2 OF 3)**

FAP 346 (U.S. ROUTE 41 - SKOKIE
HIGHWAY) OVER ILLINOIS ROUTE 132
SECTION 125X-HB-(1&2)R-1
LAKE COUNTY
S.N. 049-W036