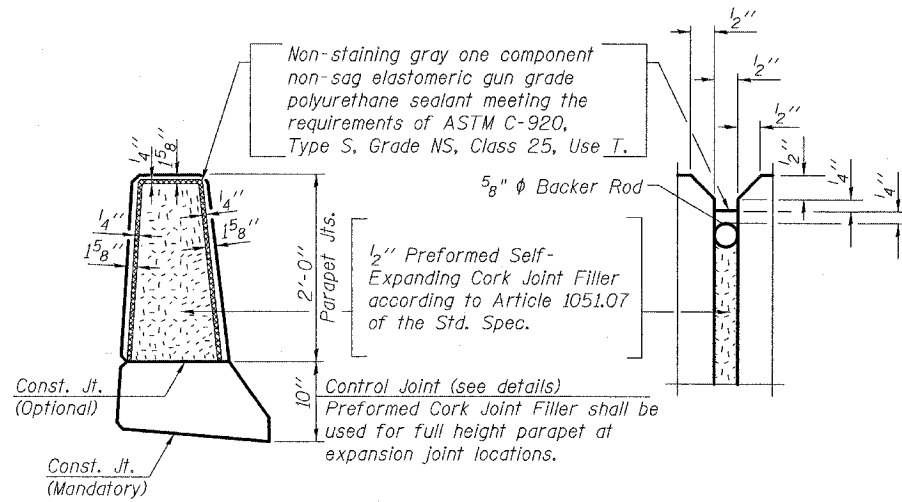


STATE OF ILLINOIS
DEPARTMENT OF TRANSPORTATION

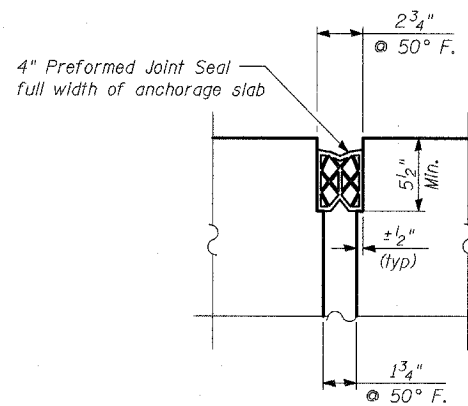
ROUTE NO.	SECTION	COUNTY	TOTAL SHEETS	SHEET NO.	SHEET NO. - 13
346		LAKE	469	326	21 SHEETS
FED. ROAD DIST. NO.	ILLINOIS	FED. AID PROJECT-			

125X-HB-(1&2) R-1 CONTRACT # 60826



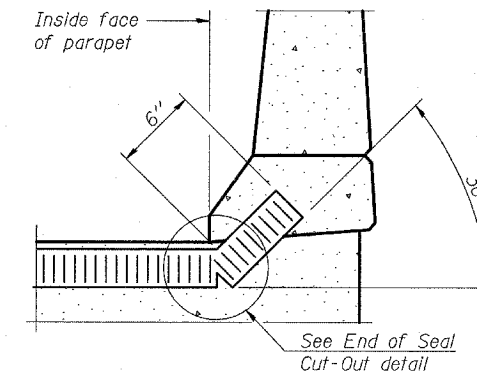
PARAPET JOINT DETAILS

(Cost included with Concrete Superstructure)

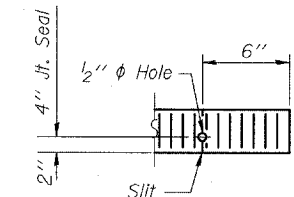


SECTION

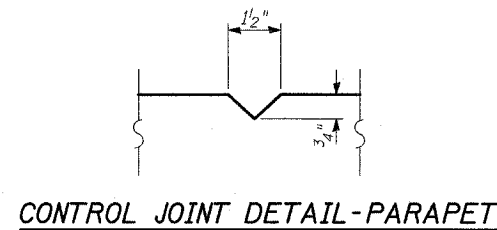
PREFORMED JOINT SEAL



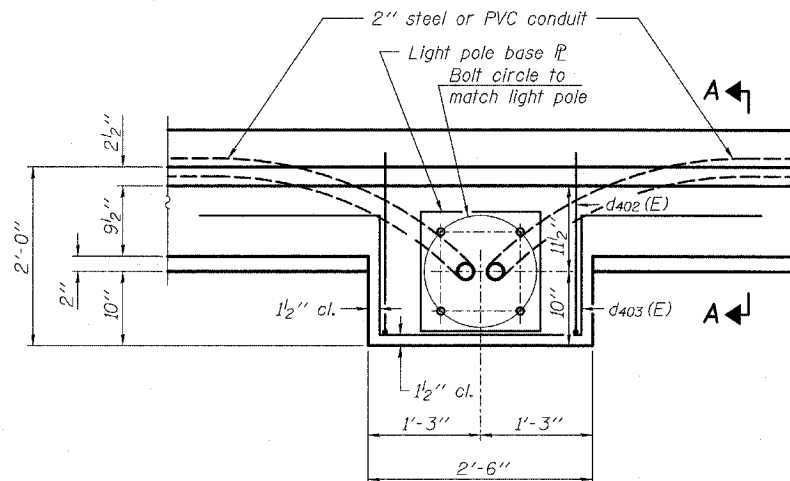
END OF SEAL TREATMENT AT PARAPET



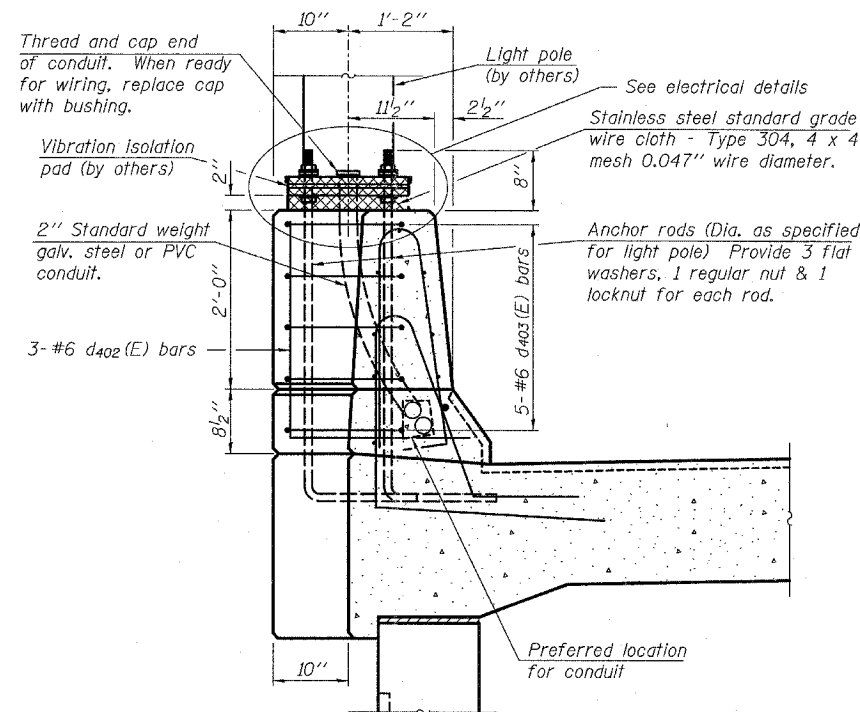
END OF SEAL CUT-OUT



CONTROL JOINT DETAIL-PARAPET

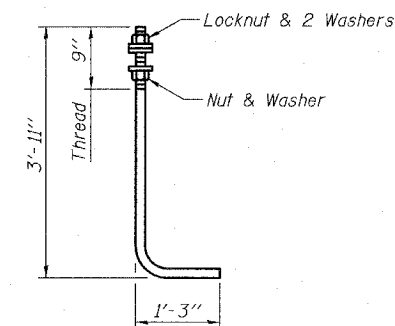


PLAN



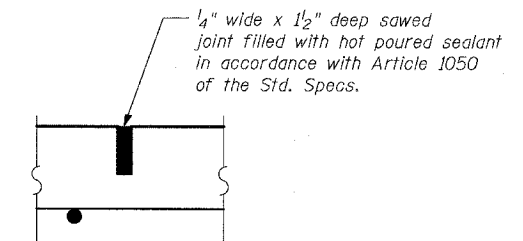
SECTION A-A

DETAIL - EXPANSION JOINT IN SLAB



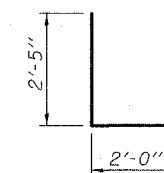
ANCHOR ROD

Diameter as specified for light poles.
(ASTM F 1554 Grade 105)

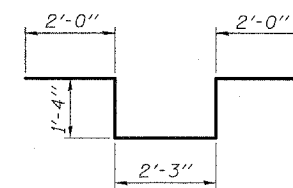


CONTROL JOINT DETAIL-SLAB

(Cost Included with Concrete Structures)



BAR d402(E)



BAR d403(E)

**WALL 0
MISCELLANEOUS DETAILS**

FAP 346 (U.S. ROUTE 41 - SKOKIE
HIGHWAY) OVER ILLINOIS ROUTE 132
SECTION 125X-HB-(1&2)R-1
LAKE COUNTY
S.N. 049-W036

TYLIN INTERNATIONAL

DESIGNED	- MB
CHECKED	- AD
DRAWN	- CM
CHECKED	- AD

Note:
Cost of anchor rods and conduit is included with Concrete Superstructure.