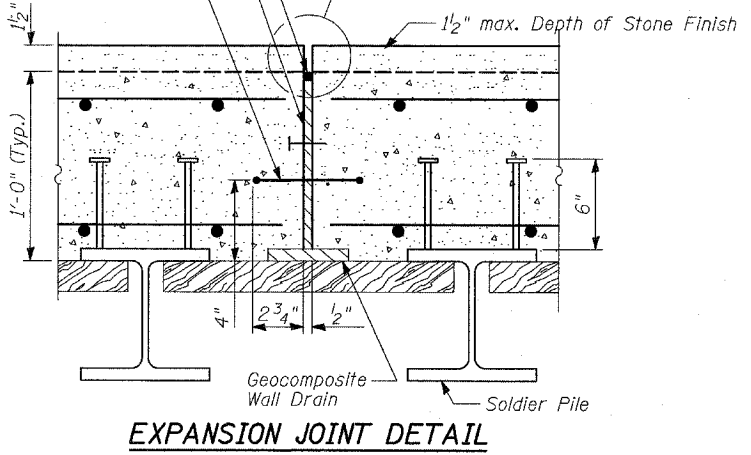
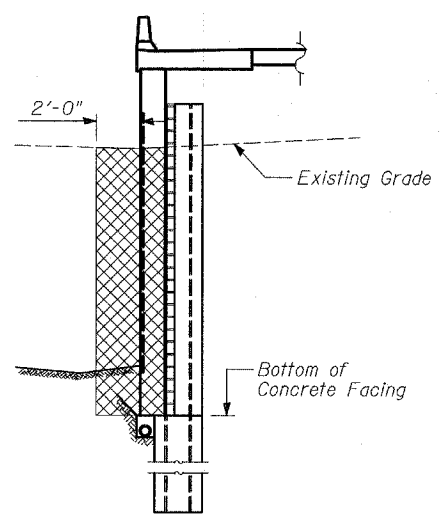


*Included in the cost of "Pipe Underdrains for Structures, 4"

6" Hollow Bulb Type Non-Metallic Water Seal. Cost included with "Concrete Structures" Extend from bottom of facing to 6" below top of facing.

Place removable filler thru stone finish. Do not Chamfer.
1/2" Preformed Joint Filler with Concrete Nails, Flat Head C.S. 1" Long @ 12" Cts. Vertical. Cost included with Concrete Structures.

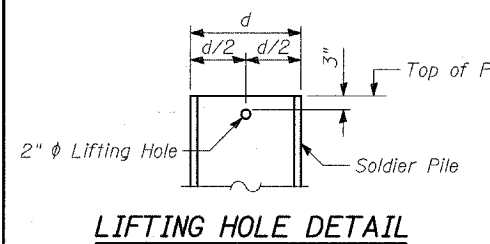


BILL OF MATERIAL

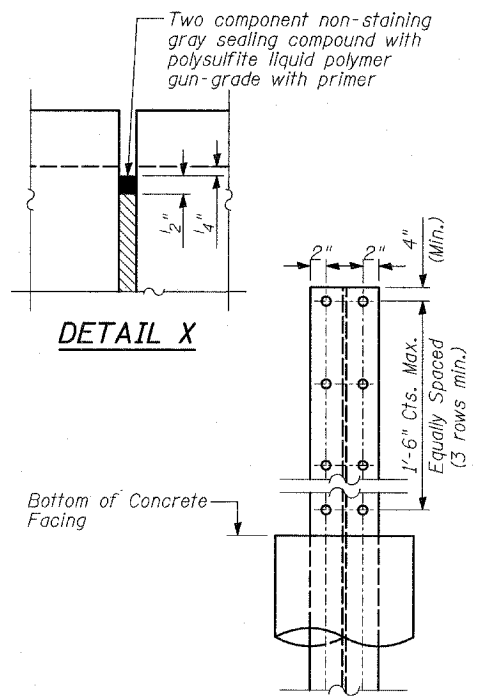
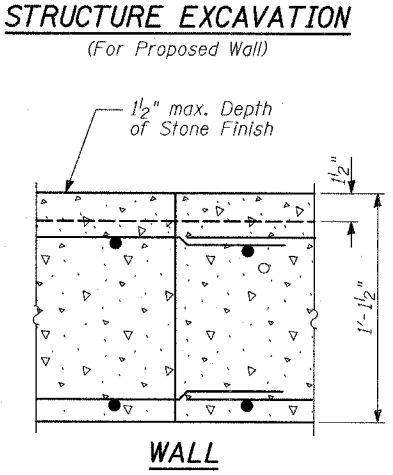
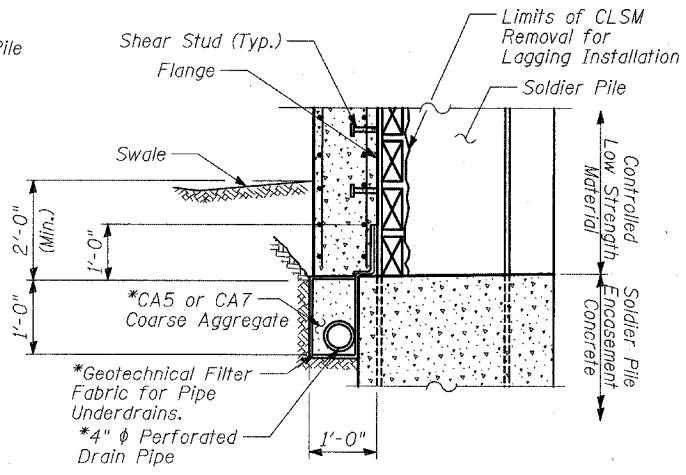
ITEM	UNIT	TOTAL
Structure Excavation	CU YD	145
Stud Shear Connectors	EACH	350
Untreated Timber Lagging	SQ FT	1,564
Geocomposite Wall Drain	SQ YD	186
Pipe Underdrains for Structures, 4"	FOOT	220

NOTES:

- The Geocomposite Wall Drain shall be constructed according to Section 591 of the Standard Specifications.
- The Contractor is responsible for the design and performance of the lagging using no less than 3" nominal rough-sawn thickness and the minimum tabulated unit stress in bending (f_b), used in the design of timber lagging shall be 1000 psi.
- Stud shear connectors shall be 3/4" ϕ x 6" granular or solid flux filled headed studs, automatically end welded to the front flange of the soldier piles.



Lifting Hole to be Provided if Necessary. Cost included with "Furnishing Soldier Piles (W Section).



WALL P SECTIONS AND DETAILS
(1 OF 2)

FAP 346 (U.S. ROUTE 41 - SKOKIE HIGHWAY) OVER ILLINOIS ROUTE 132
SECTION 125X-HB-(1&2)R-1
LAKE COUNTY
S.N. 049-W037

TYLIN INTERNATIONAL

DESIGNED	- MB
CHECKED	- AD
DRAWN	- CM
CHECKED	- AD