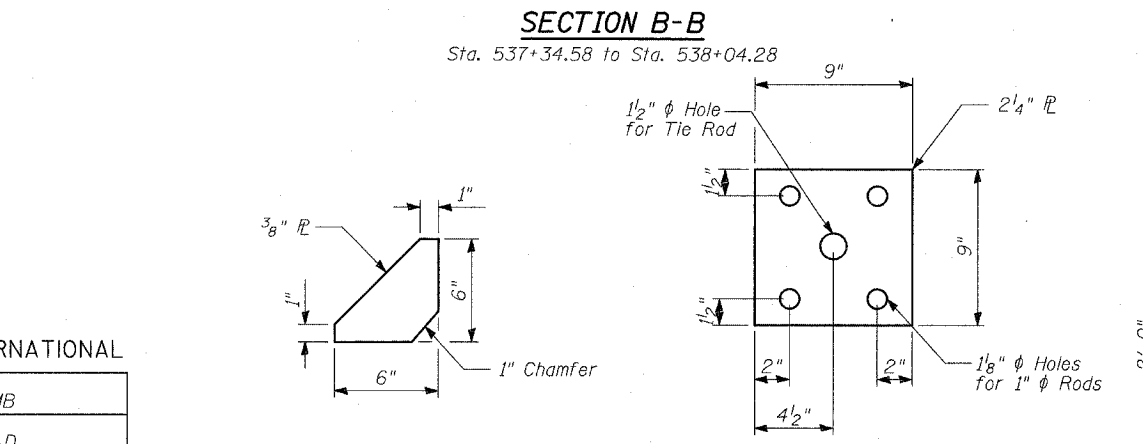
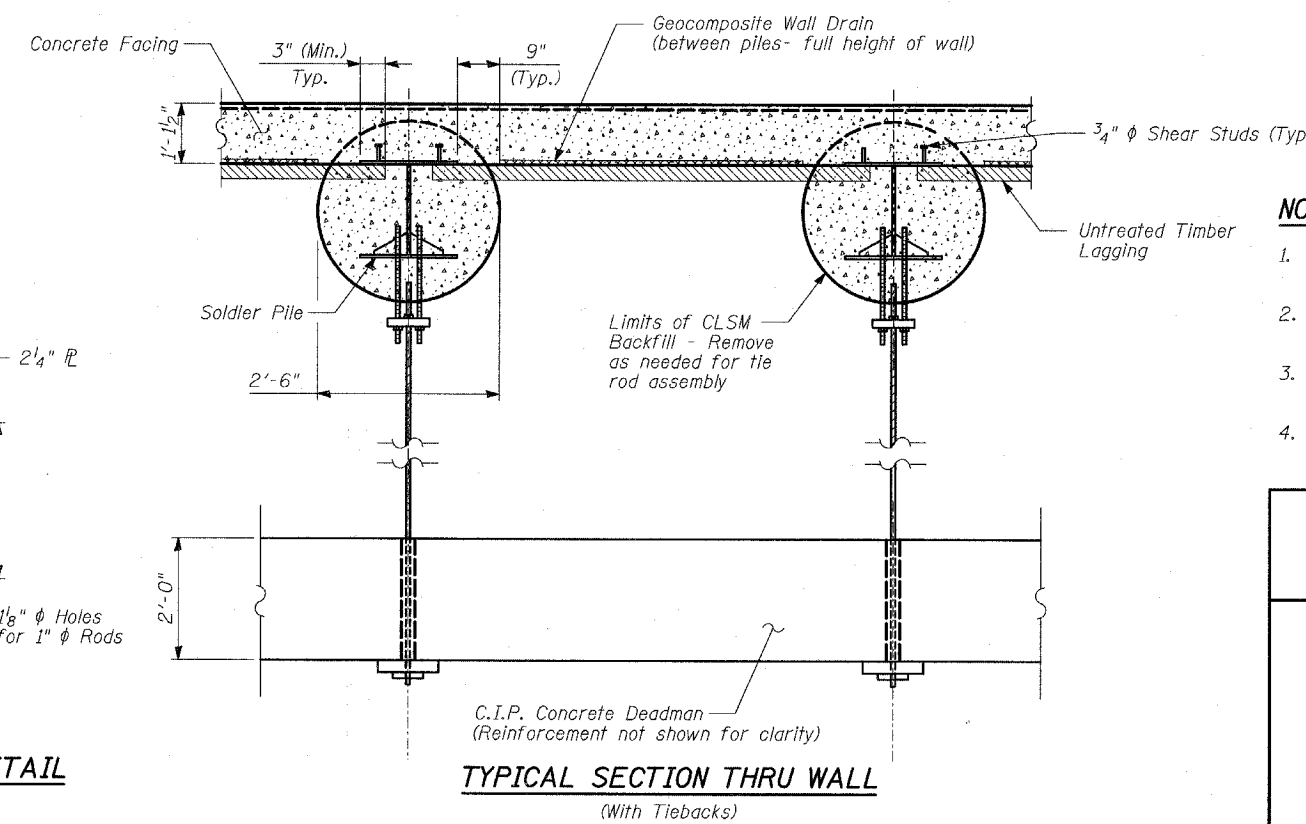
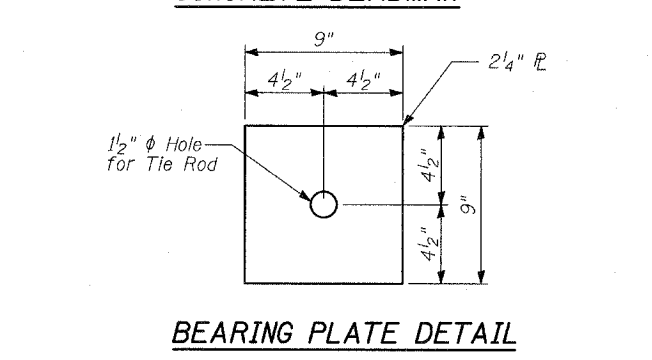
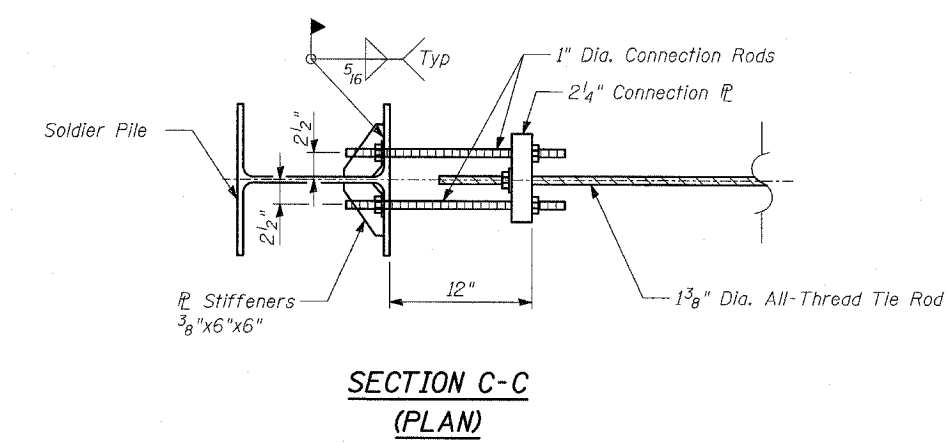
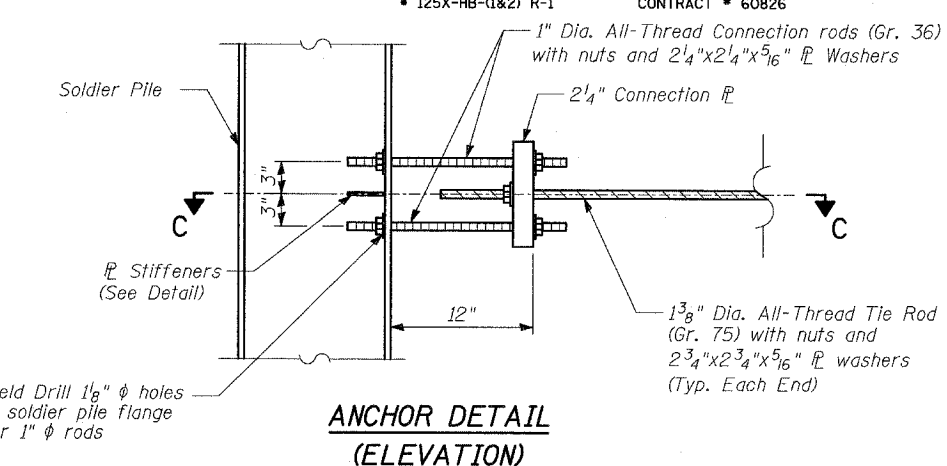
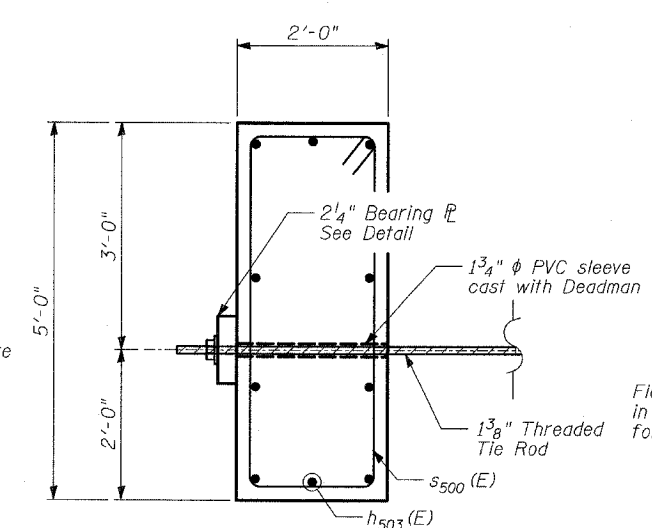
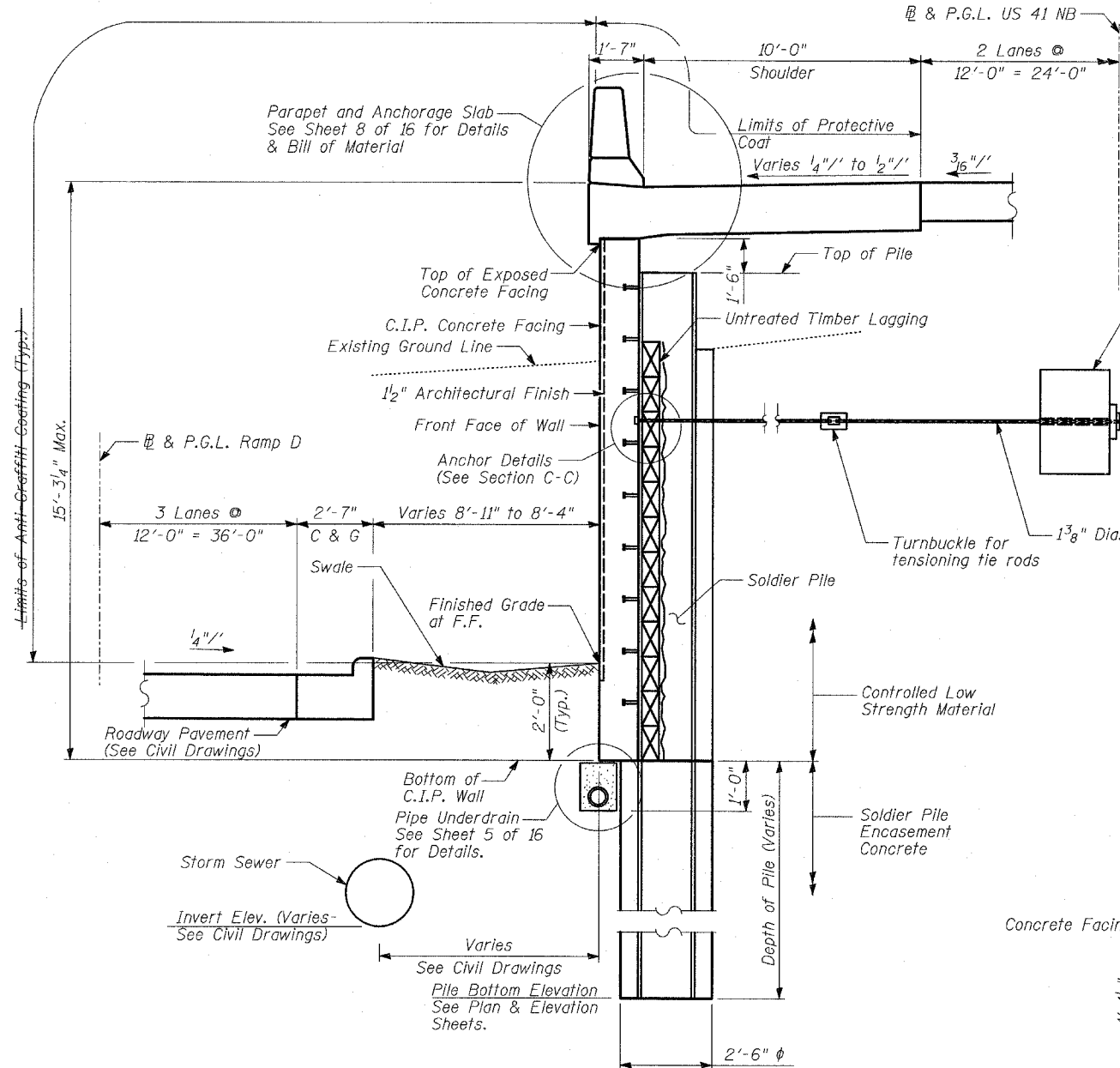


STATE OF ILLINOIS
DEPARTMENT OF TRANSPORTATION

ROUTE NO.	SECTION	COUNTY	TOTAL SHEETS	SHEET	SHEET NO. - 6
346		LAKE	469	340	16 SHEETS
FED. ROAD DIST. NO.		ILLINOIS	FED. AID PROJECT-		
• 125X-HB-(1&2) R-1		CONTRACT # 60826			



- NOTES:**
- Tie Rods shall meet the requirements of ASTM A615, Gr. 75 of the diameter specified.
 - Connection Rods shall meet the requirements of ASTM A36 of the diameter specified.
 - Stiffener, Bearing, and Connection plates shall be ASTM A36, unless otherwise noted.
 - For additional Soldier Pile Wall details, see Sheet 5 of 16.

**WALL P SECTION AND DETAILS
(2 OF 2)**

FAP 346 (U.S. ROUTE 41 - SKOKIE
HIGHWAY) OVER ILLINOIS ROUTE 132
SECTION 125X-HB-(1&2)R-1
LAKE COUNTY
S.N. 049-W037

TYLIN INTERNATIONAL

DESIGNED	- MB
CHECKED	- AD
DRAWN	- CM
CHECKED	- AD