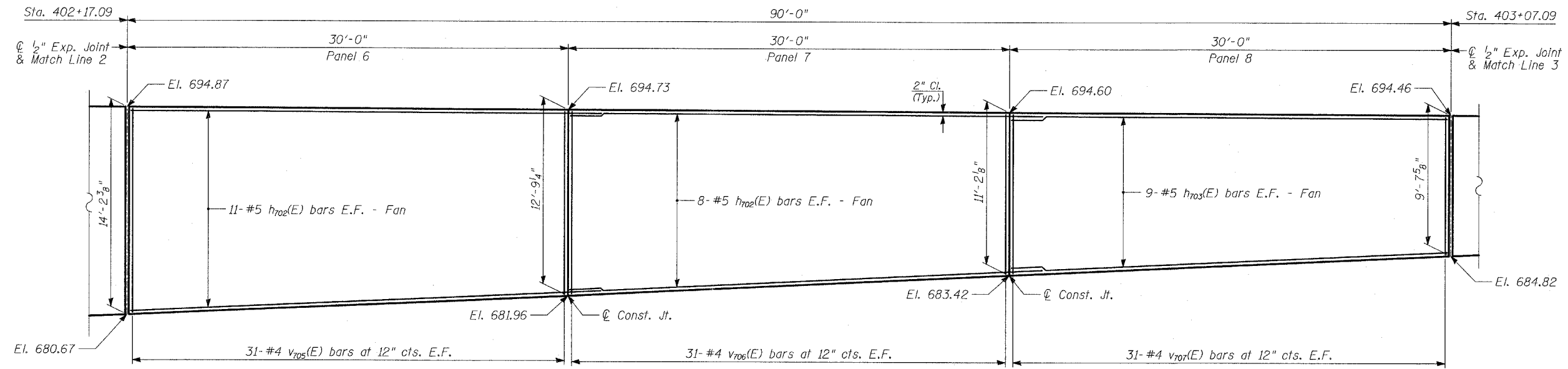
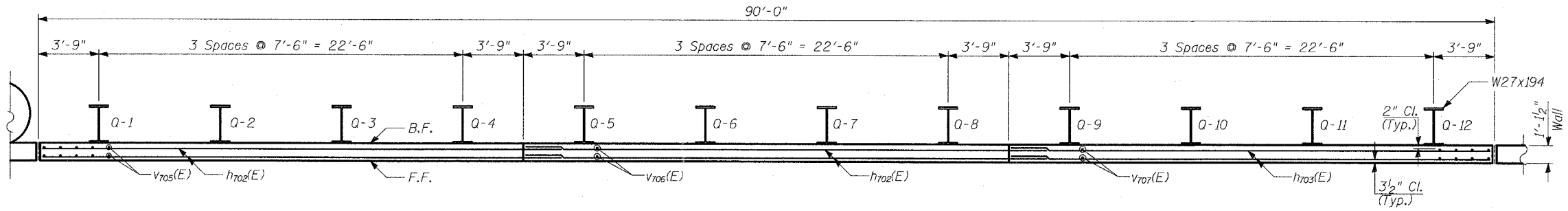
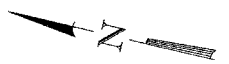


STATE OF ILLINOIS
DEPARTMENT OF TRANSPORTATION

ROUTE NO.	SECTION	COUNTY	TOTAL SHEETS	SHEET NO.	SHEET NO. - 4 13 SHEETS
346	*	LAKE	469	354	
FED. ROAD DIST. NO.		ILLINOIS	FED. AID PROJECT-		
• 125X-HB-(1&2) R-1		CONTRACT # 60826			



ELEVATION



PLAN

PILE SUMMARY

Pile Label	Pile Size	Length	Top of Pile Elevation	Bot. of Pile Elevation
Q-1	W27x194	42'-2"	692.00	649.80
Q-2	W27x194	42'-2"	691.90	649.80
Q-3	W27x194	42'-2"	691.90	649.70
Q-4	W27x194	42'-2"	691.90	649.70
Q-5	W27x194	40'-9"	691.80	651.10
Q-6	W27x194	40'-9"	691.80	651.00
Q-7	W27x194	40'-9"	691.80	651.00
Q-8	W27x194	40'-9"	691.70	651.00
Q-9	W27x194	39'-2"	691.70	652.50
Q-10	W27x194	39'-2"	691.70	652.50
Q-11	W27x194	39'-2"	691.60	652.50
Q-12	W27x194	39'-2"	691.60	652.40

LAP SPLICES

Bar	Lap
#4	1'-8"
#5	2'-2"
#6	2'-7"
#8	4'-6"

TYLIN INTERNATIONAL

DESIGNED	- MB
CHECKED	- AD
DRAWN	- CM
CHECKED	- AD

- B.F. - denotes Back Face.
- E.F. - denotes Each Face.
- F.F. - denotes Front Face.
- Work this Sheet with Sheets 2 thru 10 of 13.
- Pile spacing measured along front face of wall.

WALL Q
PLAN AND ELEVATION
STA 402+17.09 TO STA 403+07.09

FAP 346 (U.S. ROUTE 41 - SKOKIE
HIGHWAY) OVER ILLINOIS ROUTE 132
SECTION 125X-HB-(1&2)R-1
LAKE COUNTY
S.N. 049-W038