

STATE OF ILLINOIS  
DEPARTMENT OF TRANSPORTATION

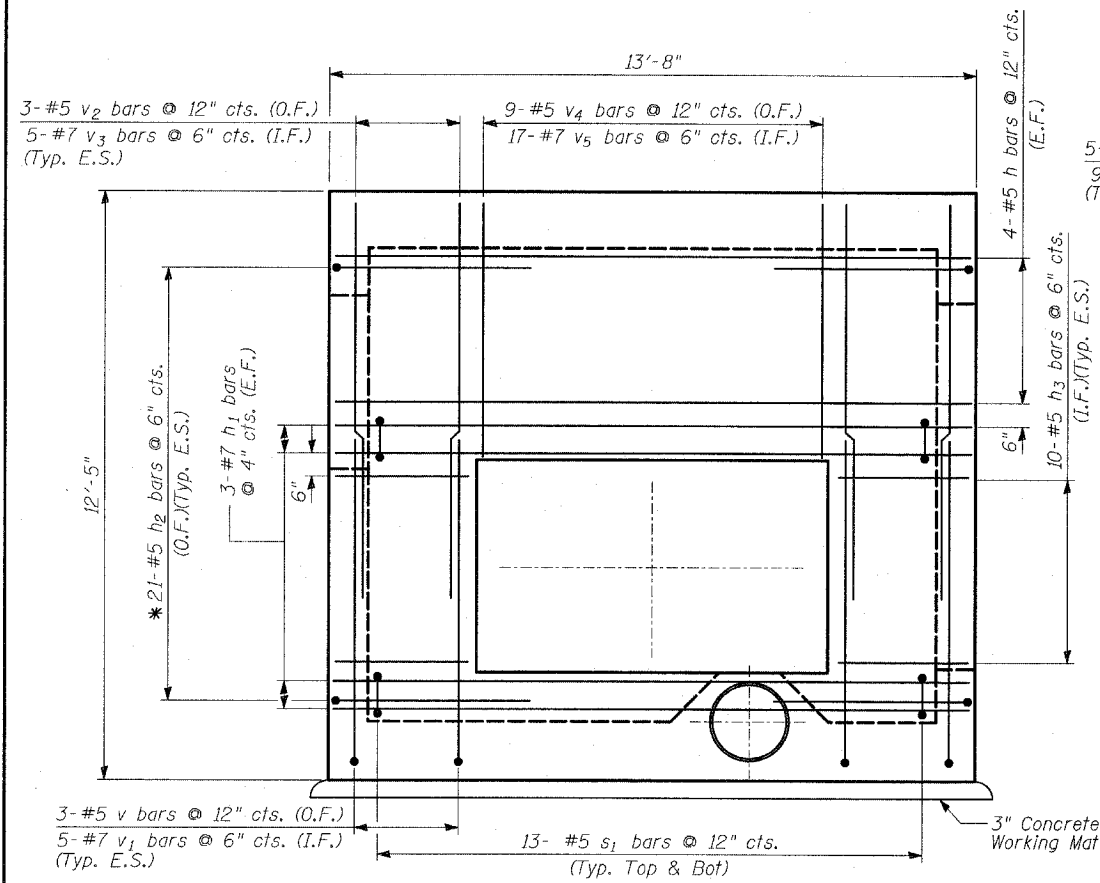
ROUTE NO.	SECTION	COUNTY	PROJECT	SHEET
346		LAKE	469	308
FED. ROAD DIST. NO.	ILLINOIS	FED. AID PROJECT-		

SHEET NO. - 3  
3 SHEETS

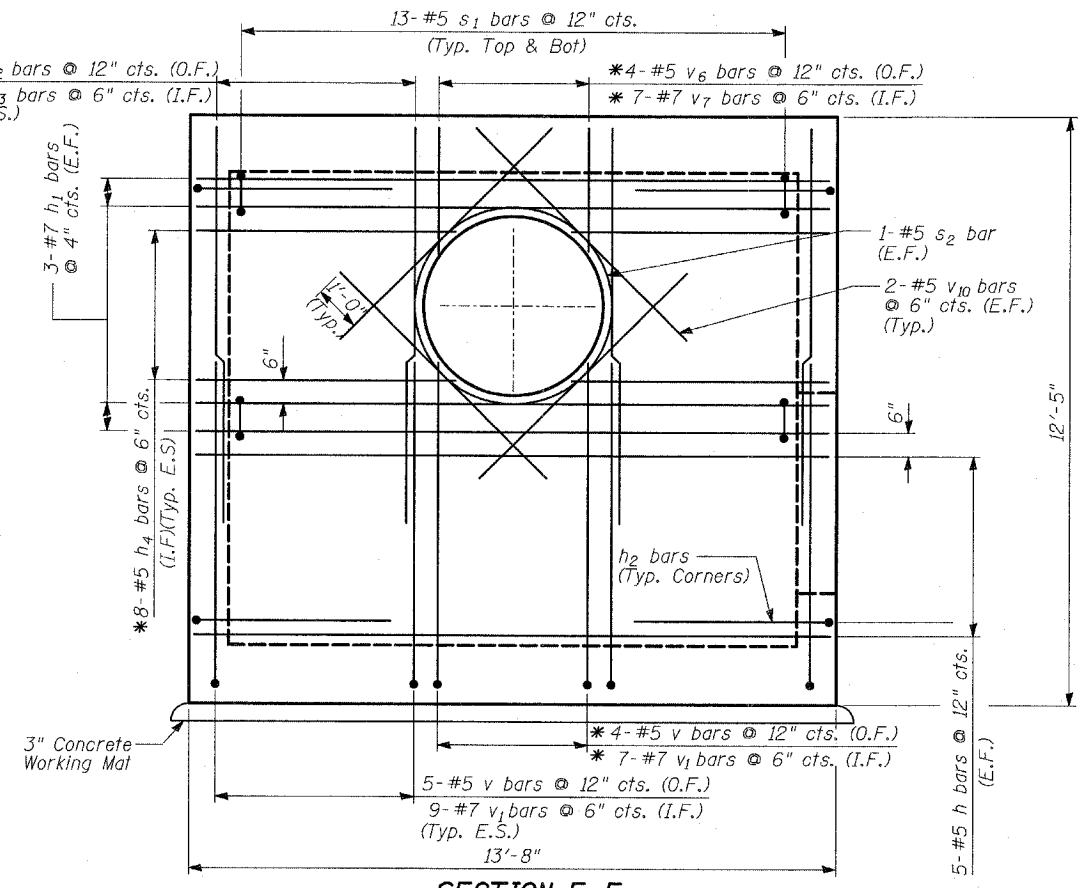
CONTRACT # 60826  
BILL OF MATERIAL

JUNCTION CHAMBER 51

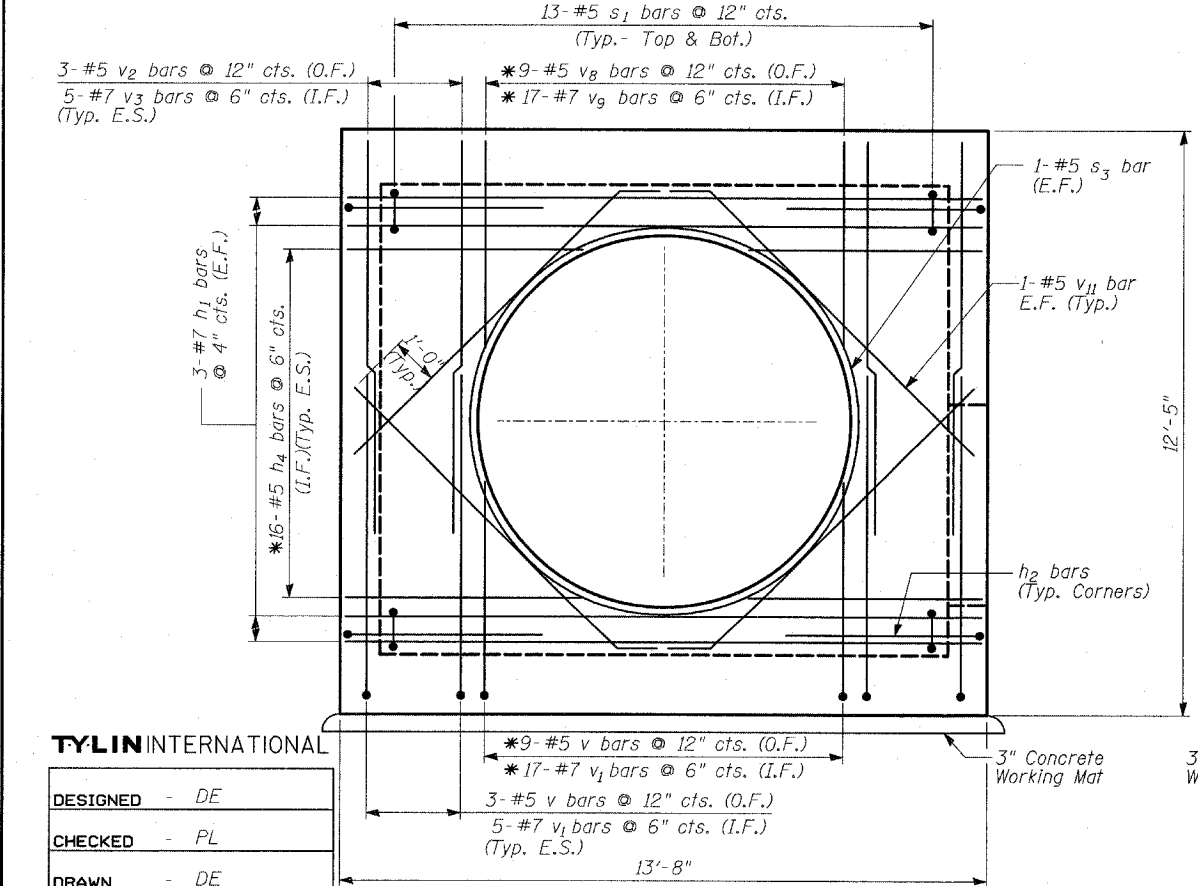
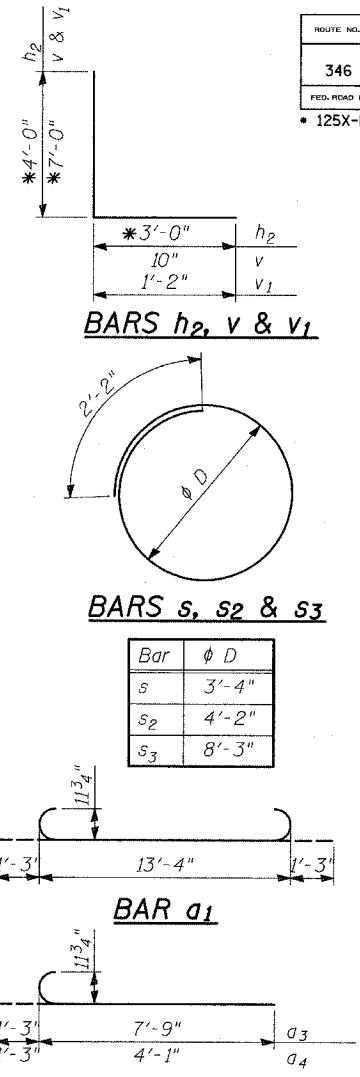
Bar	No.	Size	Length	Shape
a	58	#5	13'-4"	—
a <sub>1</sub>	84	#9	15'-10"	⌋
a <sub>2</sub>	16	#5	5'-4"	—
a	28	#9	9'-0"	⌋
a	28	#9	5'-4"	⌋
a	28	#9	10'-7"	⌋
h	40	#5	13'-4"	—
h <sub>1</sub>	36	#7	13'-4"	—
h <sub>2</sub>	84	#5	8'-0"	L
h <sub>3</sub>	20	#5	4'-2"	⌋
h <sub>4</sub>	48	#5	6'-10"	⌋
s	2	#5	12'-8"	○
s <sub>1</sub>	78	#5	3'-11"	⌋
s <sub>2</sub>	2	#5	14'-9"	○
s <sub>3</sub>	2	#5	27'-7"	○
v	49	#5	7'-10"	L
v <sub>1</sub>	89	#7	8'-2"	L
v <sub>2</sub>	36	#5	7'-2"	—
v <sub>3</sub>	65	#7	8'-5"	—
v <sub>4</sub>	9	#5	5'-4"	—
v <sub>5</sub>	17	#7	5'-4"	—
v <sub>6</sub>	4	#5	2'-10"	—
v <sub>7</sub>	7	#7	2'-10"	—
v <sub>8</sub>	9	#5	5'-0"	—
v <sub>9</sub>	17	#7	5'-0"	—
v <sub>10</sub>	16	#5	6'-2"	—
v <sub>11</sub>	8	#5	8'-9"	—
Reinforcement Bars		POUND	14,850	
Concrete Structures		CU YD	30	



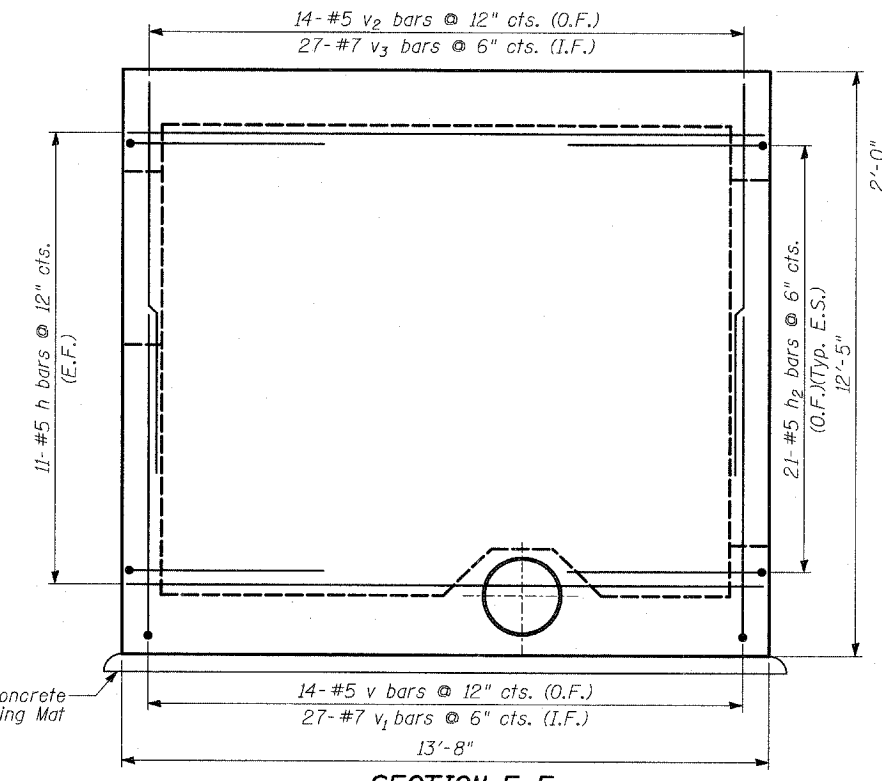
SECTION B-B



SECTION E-E



SECTION D-D



SECTION F-F

TYLIN INTERNATIONAL

DESIGNED	- DE
CHECKED	- PL
DRAWN	- DE
CHECKED	- PL

LEGEND  
\* Cut bars to fit in field.  
E.F. - denotes Each Face  
E.S. - denotes Each Side  
I.F. - denotes Inside Face  
O.F. - denotes Outside Face

- NOTES:
- All dimensions and elevations shall be field verified prior to construction.
  - Concrete pipe sizes shall be coordinated with openings provided into junction chamber before pouring concrete.
  - Manhole Frame, Ladder Rungs, and any inserts installation shall be coordinated with Roadway Plans.
  - Concrete cover for reinforcement steel to be 2" unless otherwise noted.
  - All concrete edges shall be chamfered 1 inch.
  - All lap splices marked on the drawings are minimum.
  - Concrete Compressive Strength f'c = 3,500 psi.
  - Steel Yield Strength = 60,000 psi.
  - Work this Sheet with Sheets 1 and 2 of 3.

JUNCTION CHAMBER 51  
DETAILS 2

FAP 346 (U.S. ROUTE 41 - SKOKIE  
HIGHWAY) OVER ILLINOIS ROUTE 132  
SECTION 125X-HB-(1&2)R-1  
LAKE COUNTY  
S.N.