

STATE OF ILLINOIS
DEPARTMENT OF TRANSPORTATION

| | | | | | |
|---------------------|----------|------------------|--------------------------------------|-----------|---------------|
| ROUTE NO. | SECTION | COUNTY | TOTAL SHEETS | SHEET NO. | SHEET NO. - 1 |
| 346 | * | LAKE | 469 | 369 | 3 SHEETS |
| FED. ROAD DIST. NO. | ILLINOIS | FED. AID PROJECT | | | |
| | | | • 125X-HB-(1&2) R-1 CONTRACT # 60826 | | |

DESIGN SPECIFICATIONS

2002 AASHTO Standard Specifications
For Highway Bridges

DESIGN STRESSES

FIELD UNITS

$f'_c = 3,500$ psi
 $f_y = 60,000$ psi (reinforcement)
 $f_y = 36,000$ psi (structural steel M270 Grade 36)

NOTES:

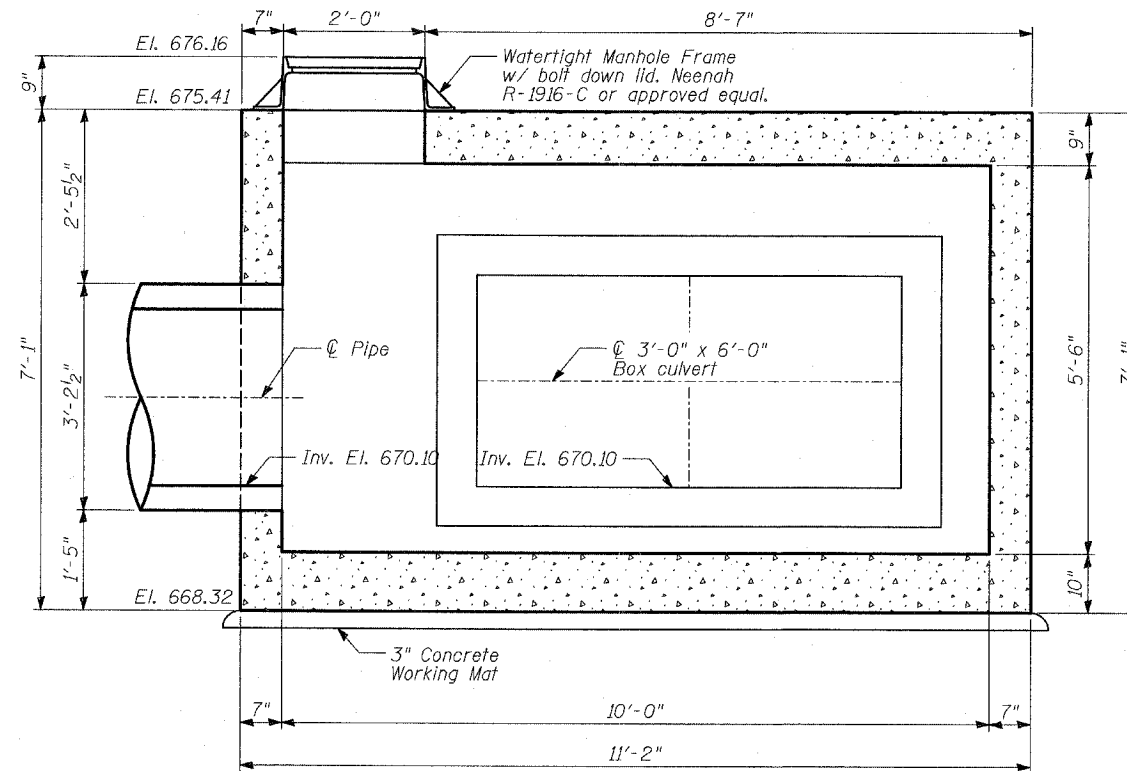
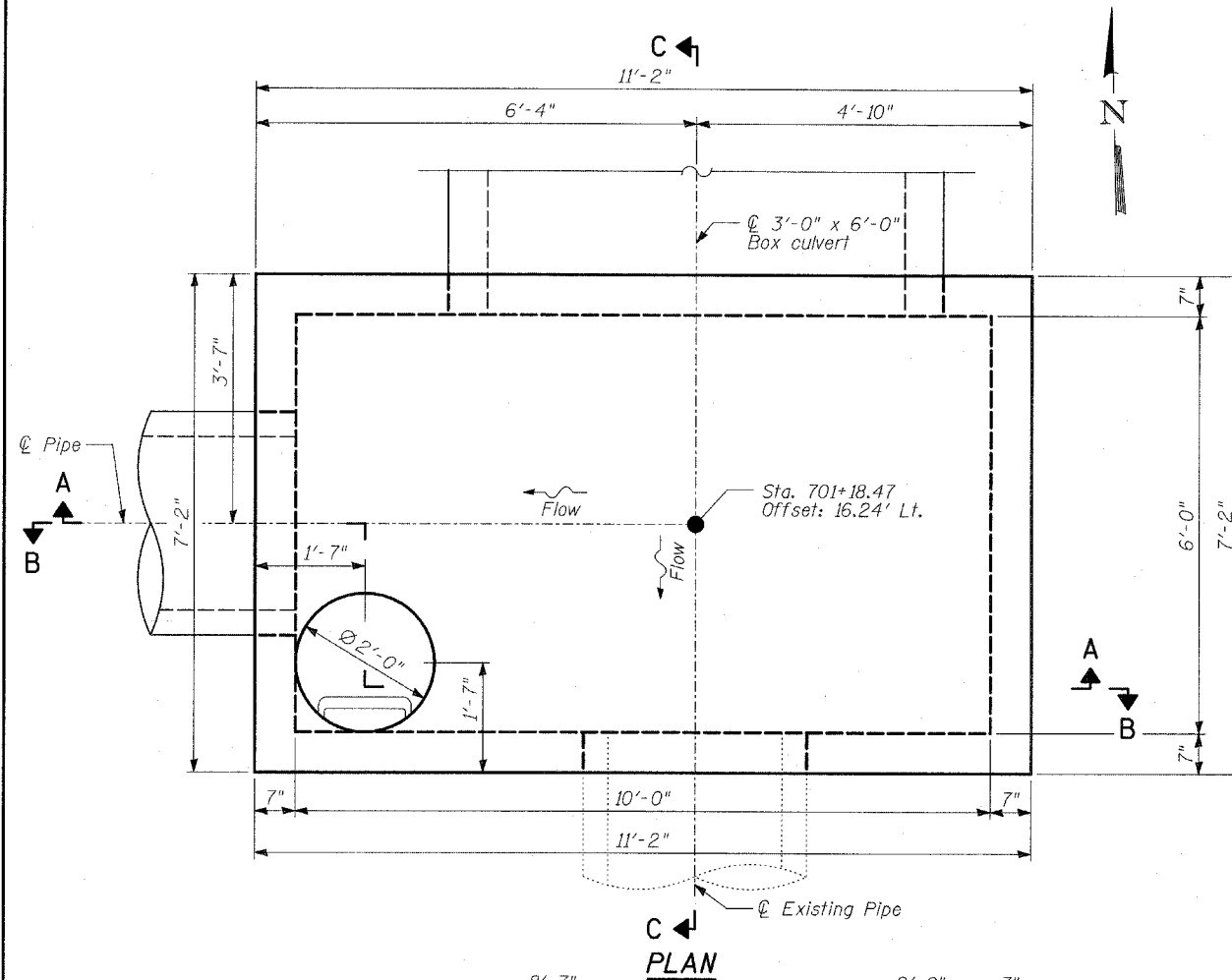
- The Contractor shall verify the location of all underground utilities before submitting the temporary soil retention system drawings.
- For additional information, see Standard Specifications.
- For reinforcement details, see Sheets 2 and 3 of 3.
- All pipe openings are based on ASTM C76, coordinate openings with pipe supplier for proper fit.
- The maximum width of the temporary soil retention system shall be the width of the junction chamber plus 4 feet. The maximum length of the temporary soil retention system shall be the length of junction chamber plus 4 feet.
- The design of the temporary soil retention system is the responsibility of the Contractor. The Contractor shall submit design calculations and details to the Engineer for approval. The design calculations shall be signed and sealed by an Illinois licensed Structural Engineer, submitted and approved prior to the start of any work. The Engineer's approval shall not relieve the Contractor of responsibility for the safety of the excavation.
- Retention systems placed within 10 feet of a watermain must remain in place permanently.

TOTAL BILL OF MATERIAL

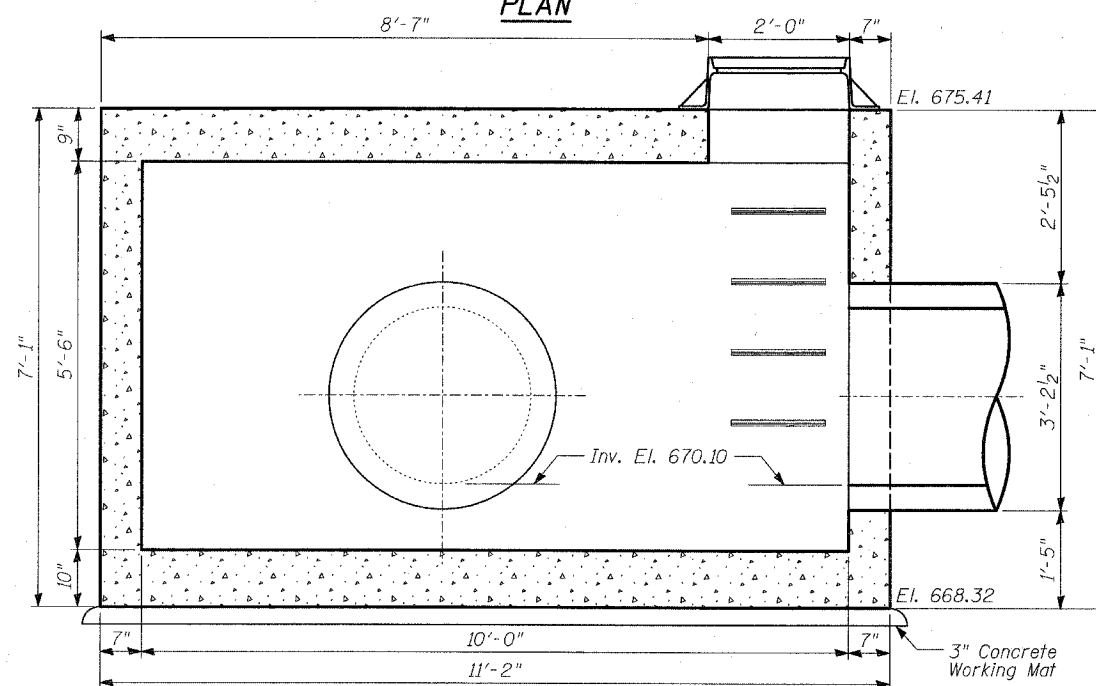
| ITEM | UNIT | J.C. 52 |
|---------------------------------|-------|---------|
| Porous Granular Embankment | CU YD | 24 |
| Junction Chamber | EACH | 1 |
| Temporary Soil Retention System | SQ FT | 385 |

**JUNCTION CHAMBER 52
GENERAL PLAN AND ELEVATION**

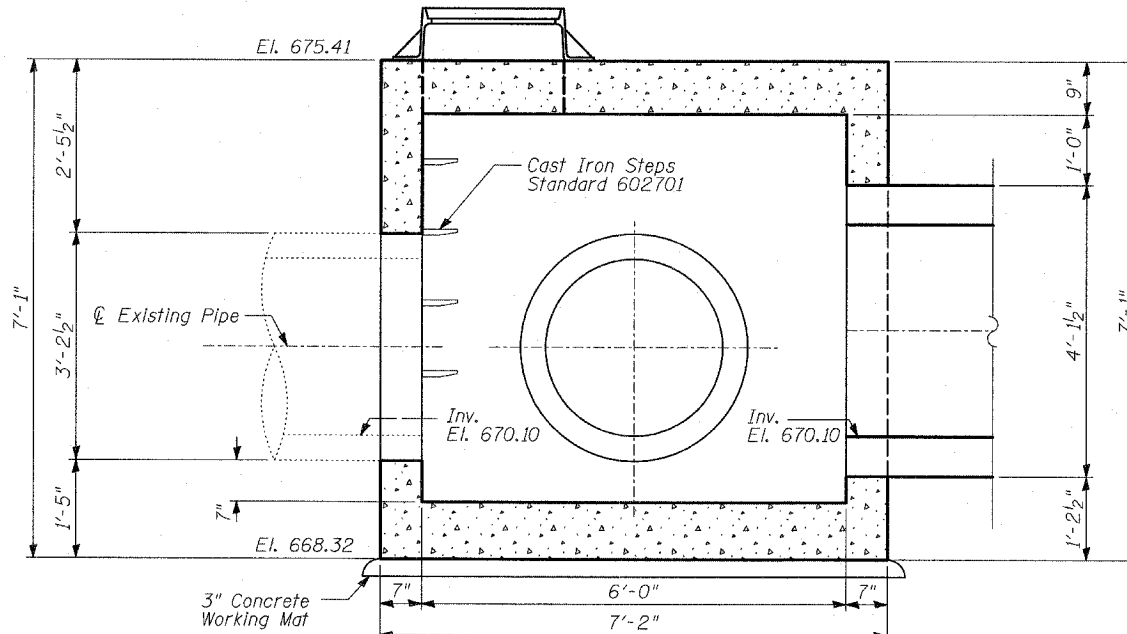
FAP 346 (U.S. ROUTE 41 - SKOKIE
HIGHWAY) OVER ILLINOIS ROUTE 132
SECTION 125X-HB-(1&2)R-1
LAKE COUNTY
S.N.



SECTION A-A



SECTION B-B



SECTION C-C

TYLIN INTERNATIONAL

| | |
|----------|-------|
| DESIGNED | - MAF |
| CHECKED | - PL |
| DRAWN | - MAF |
| CHECKED | - PL |



Signed Paul Lopez
Paul A. Lopez, S.E., Lic. No. 081-006523
CHICAGO, ILLINOIS
Expires 11-30-2008.
Date 5/14/08
For drawings 1 thru 3 of 3