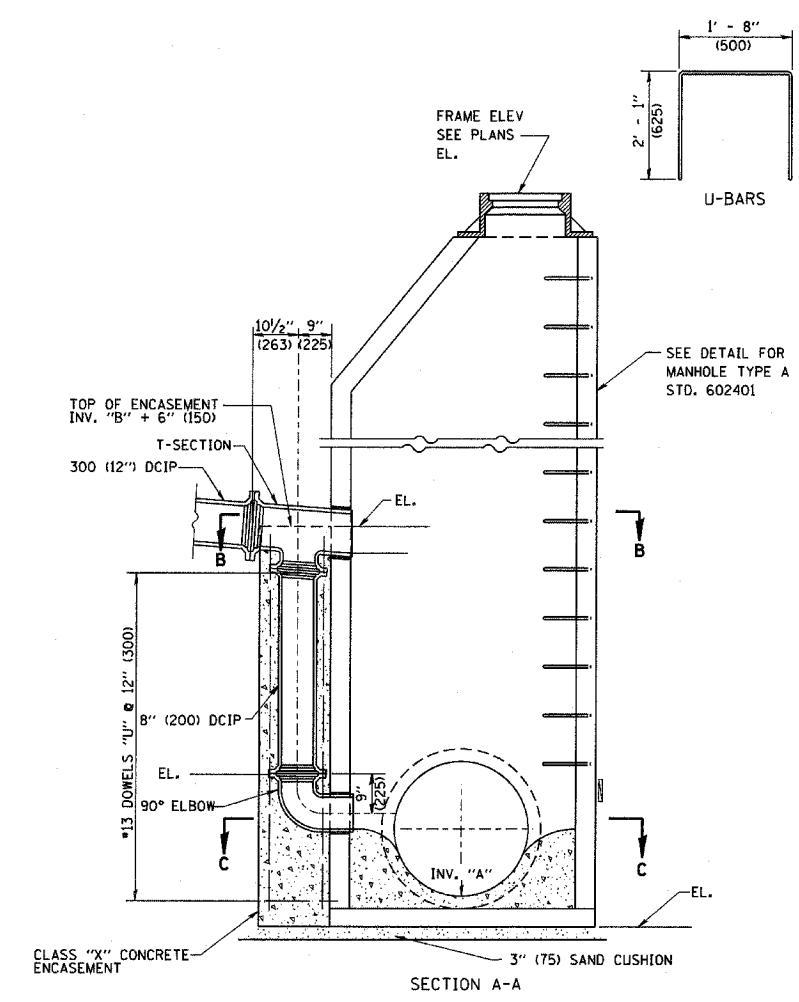
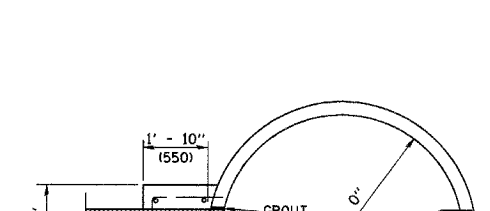


PLAN
FOR LOCATION SEE DRAINAGE PLANS

ENCASEMENT DETAILS	
DROP M.H. LOCATION STA., OFFSET	
INV. "A"	
INLET PIPE	
INV. "B"	
INV. "C"	
A	
B	
"V" BAR LENGTH	
NO. OF "U" BARS	
REINF. BARS	
CLASS "SI" CONC. CUBIC METER (CU. YD.)	

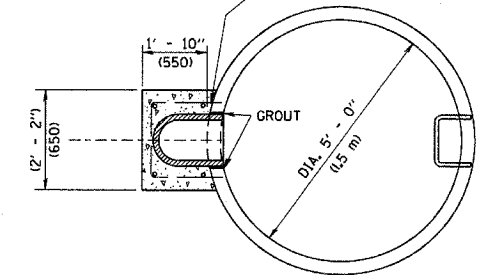


SECTION A-A



SECTION B-B

DRILL 1/4" (30) HOLE IN MANHOLE RISER WALLS, FILL WITH MORTAR AND INSERT DOWELS. (TYPICAL FOR ALL DOWELS)



SECTION C-C

- TYPE A1-1 MANHOLE WITH 1 DROP AND DEPTH UP TO 10' (3 m)
- TYPE A1-2 " " " " " FROM 10' TO 15' (3 m TO 1.5 m)
- TYPE A1-3 " " " " " FROM 15' TO 20' (1.5 m TO 6 m)
- TYPE A1-4 " " " " " OVER 20' (6 m)
- TYPE A2-1 MANHOLE WITH 2 DROPS AND DEPTH UP TO 10' (3 m)
- TYPE A2-2 " " " " " FROM 10' TO 15' (3 m TO 1.5 m)
- TYPE A2-3 " " " " " FROM 15' TO 20' (1.5 m TO 6 m)
- TYPE A2-4 " " " " " OVER 20' (6 m)

ALL DIMENSIONS ARE IN INCHES (MILLIMETERS) UNLESS OTHERWISE SHOWN

FILE NAME = W:\diststd\22x34\bd16.dgn	USER NAME = gnglianobt	DESIGNED -	REVISED -
		DRAWN -	REVISED -
		CHECKED -	REVISED -
		DATE - 10-18-02	REVISED -

**STATE OF ILLINOIS
DEPARTMENT OF TRANSPORTATION**

DROP MANHOLE DETAILS			
SCALE: NONE	SHEET NO. 1 OF 1 SHEETS	STA.	TO STA.

F.A. RTE.	SECTION	COUNTY	TOTAL SHEETS	SHEET NO.
BD600-05	(BD-16)		469	377
FED. ROAD DIST. NO. 1 ILLINOIS		CONTRACT NO.		
FED. AID PROJECT				