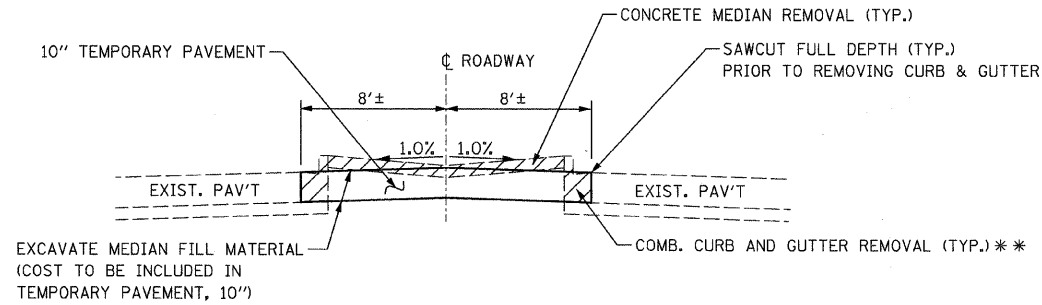


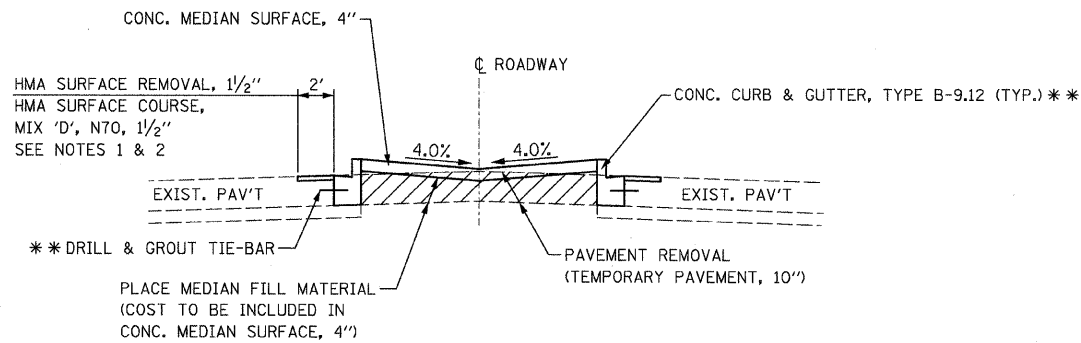
IL. RTE. 58 EXISTING TYPICAL SECTION
 STA. 1049+40 TO STA. 1052+82
 STA. 1053+53 TO STA. 1057+10

IL. RTE. 72 EXISTING TYPICAL SECTION
 STA. 223+55 TO STA. 227+71
 STA. 228+65 TO STA. 232+65



IL. RTE. 58 TEMPORARY PAVEMENT TYPICAL SECTION
 STA. 1049+40 TO STA. 1052+30
 STA. 1054+10 TO STA. 1057+10

IL. RTE. 72 TEMPORARY PAVEMENT TYPICAL SECTION
 STA. 223+55 TO STA. 227+35
 STA. 228+65 TO STA. 232+35



IL. RTE. 58 MEDIAN RESTORATION TYPICAL SECTION
 STA. 1049+40 TO STA. 1052+82
 STA. 1053+53 TO STA. 1057+10

IL. RTE. 72 MEDIAN RESTORATION TYPICAL SECTION
 STA. 223+55 TO STA. 227+35
 STA. 228+65 TO STA. 232+35

HOT-MIX ASPHALT MIXTURE REQUIREMENTS		
MIXTURE TYPE	AC TYPE	AIR VOIDS
PAVEMENT OVERLAY		
HOT-MIX ASPHALT SURFACE COURSE, MIX "D", N70 (IL 9.5mm); 1.5"	PG 64-22	4% @ 70 GYR.
TEMPORARY PAVEMENT		
HOT-MIX ASPHALT BINDER COURSE, IL-19.0, N50; 10"	PG 64-22*	4% @ 50 GYR.

THE UNIT WEIGHT USED TO CALCULATE ALL HMA MIXTURE QUANTITIES IS 112 LBS/SQ YD/IN.

* WHEN RAP EXCEEDS 20%, THE NEW ASPHALT BINDER IN THE MIX SHALL BE PG 58-22.

NOTES

- EXISTING PAVEMENT TO BE OVERLAID WILL BE CLEANED AND PRIMED PER ARTICLE 407.06 OF THE 2007 STANDARD SPECIFICATIONS.
- USE THESE ITEMS FOR IL. RTE. 58 E.B. AND W.B. LANES IN HMA OVERLAY AREAS.

** THE COST OF CURB & GUTTER REMOVAL, COMB. CONC. CURB & GUTTER AND DRILL & GROUT TIE-BARS SHALL BE INCLUDED IN THE CONTRACT PRICE FOR "COMBINATION CONCRETE CURB AND GUTTER REMOVAL AND REPLACEMENT".

FILE NAME = 60D55 typ.dgn
 PLOT DATE = 4/30/2008



DESIGNED - S.J.P.	REVISED -
DRAWN - A.C.S.	REVISED -
CHECKED - E.J.M.	REVISED -
DATE - APRIL 21, 2008	REVISED -

**STATE OF ILLINOIS
 DEPARTMENT OF TRANSPORTATION**

**TYPICAL SECTIONS & DETAILS
 IL. RTE. 58 & IL. RTE. 72**

SCALE: NONE SHEET NO. 1 OF 1 SHEETS STA. TO STA.

F.A.P. RTE. 559/341	SECTION 2008-007 B	COUNTY COOK	TOTAL SHEETS 39	SHEET NO. 4
FED. ROAD DIST. NO. 1 ILLINOIS FED. AID PROJECT				
CONTRACT NO. 60D55				