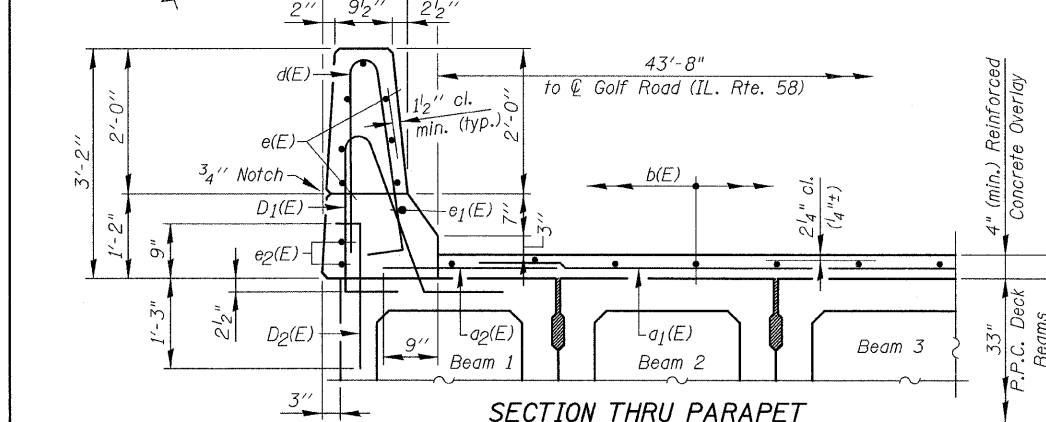
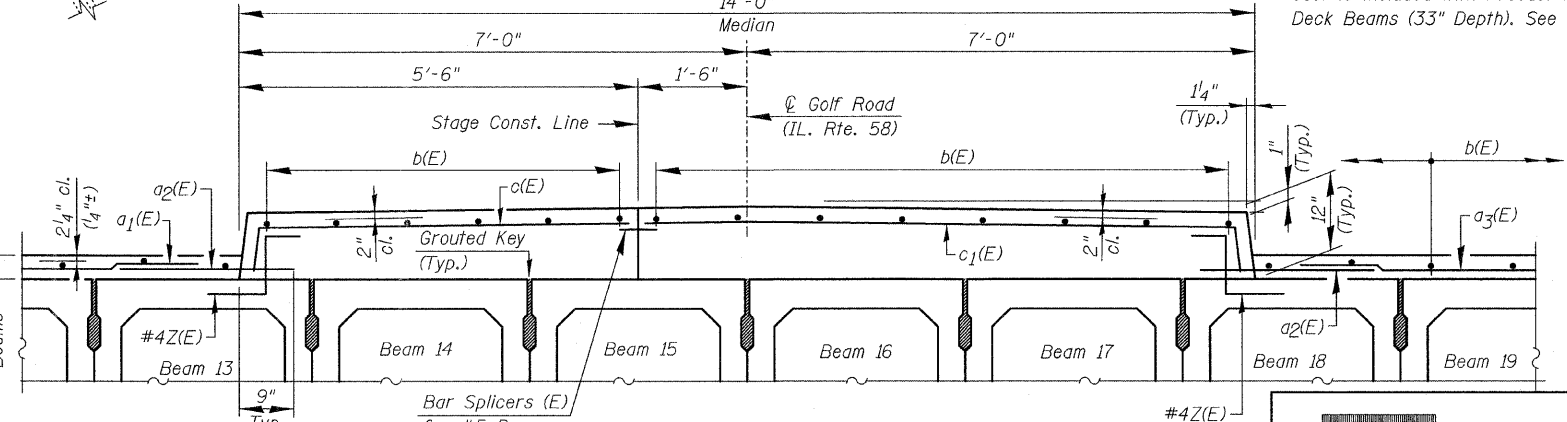


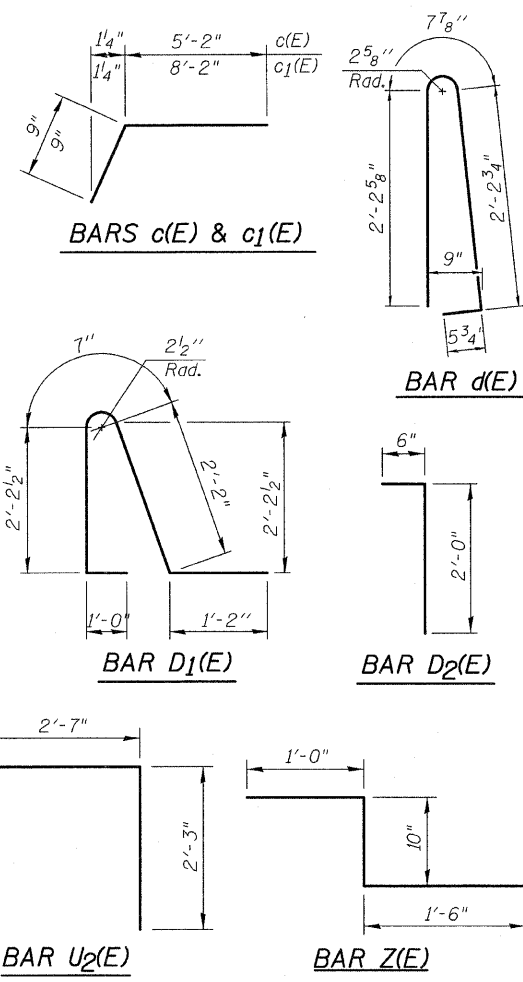
REINFORCEMENT PLAN



SECTION THRU PARAPET



SECTION THRU MEDIAN



BILL OF MATERIAL

Bar	No.	Size	Length	Shape	
a1(E)	142	#5	21'-7"		
a2(E)	213	#5	3'-9"		
a3(E)	71	#5	30'-3"		
a4(E)	71	#5	5'-7"		
a5(E)	71	#5	10'-2"		
b(E)	267	#5	24'-9"		
c(E)	71	#5	5'-11"		
c1(E)	71	#5	8'-11"		
d(E)	154	#5	5'-7"		
e(E)	56	#4	17'-3"		
e1(E)	6	#8	26'-4"		
e2(E)	9	#4	24'-6"		
Concrete Superstructure				Cu. Yd.	56.6
Reinforcement Bars, Epoxy Coated				Pound	17,540
Silicone Joint Sealer 1 In.				Foot	102
Silicone Joint Sealer 1 3/4 In.				Foot	102
Bar Splicers				Each	71
Concrete Wearing Surface, 4"				Sq. Yd.	572
Bridge Deck Grooving				Sq. Yd.	466
Floor Drains				Each	18
Protective Coat				Sq. Yd.	766

NOTE "A":

#5D1(E) & #5D2(E) Bars are to be cast with Beam 1.
 #5D1(E) Bars are to be cast with Beam 27.
 #4Z(E) Bars are to be cast with Beams 13 & 18.
 #4U2(E) Bars are to be cast with Beams 28 thru 30.
 Additional 3-#5D1(E) Bars will be bent to fit taper at both ends of the North Parapet. These Bars will be embedded in Deck Beam 1. The Fabricator must correctly install these Bars.
 Cost is included with Precast Prestressed Concrete Deck Beams (33" Depth). See Sht. S9.

MIN. LAP:
 #5 Bars = 2'-2"

NOTE:

Bars indicated thus 71x2-#5 etc., indicates 71 lines of Bars with 2 lengths per line.

CHRISTIAN-ROGE & ASSOCIATES, INC.
 ENGINEERS / PLANNERS / SURVEYORS
 211 W. WACKER DRIVE CHICAGO, IL 60606
 PHONE: (312)372-2023 FAX: (312)372-5274