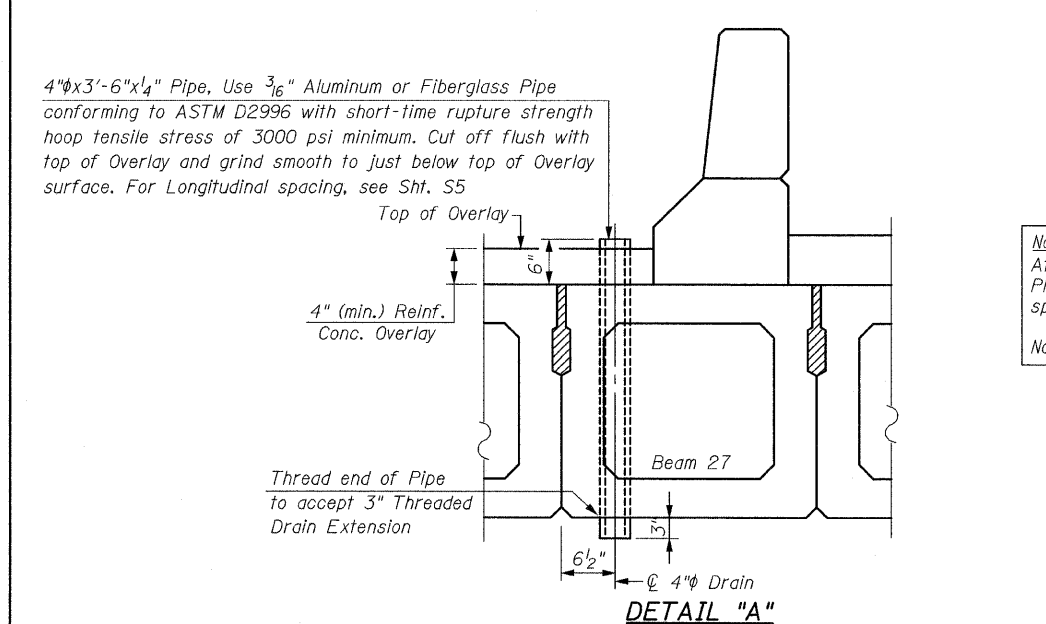
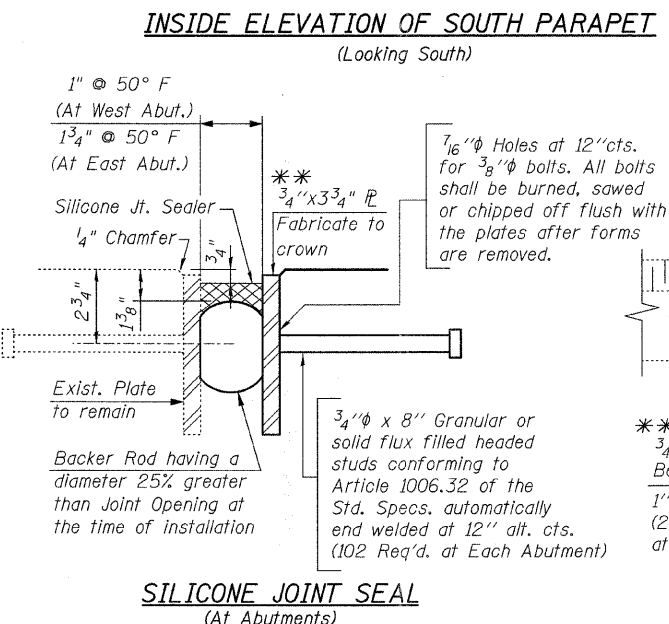


SECTION AT SOUTH SIDE OF STRUCTURE



FILE NAME = parapet_south.sht	USER NAME = IDDT	DESIGNED - B.N.S.	REVISED -
		DRAWN - D.L. / F.M.	REVISED -
		CHECKED - B.N.S. / J.C.N.	REVISED -
		DATE - APRIL 21, 2008	REVISED -



SILICONE JOINT SEAL (At Abutments)

*** Furnish in segments of 20 ft. maximum length. Maximum space between installed segments shall be 3/16". Seal space with Silicone Sealant suitable for Structural Steel.

Cut retainer bars in sidewalk or median 6" short of the sidewalk or median face.

*** Existing Dowel Rods are to be cut off flush, ground smooth & sealed with Epoxy. Cost is included with Removal of Existing Superstructures.

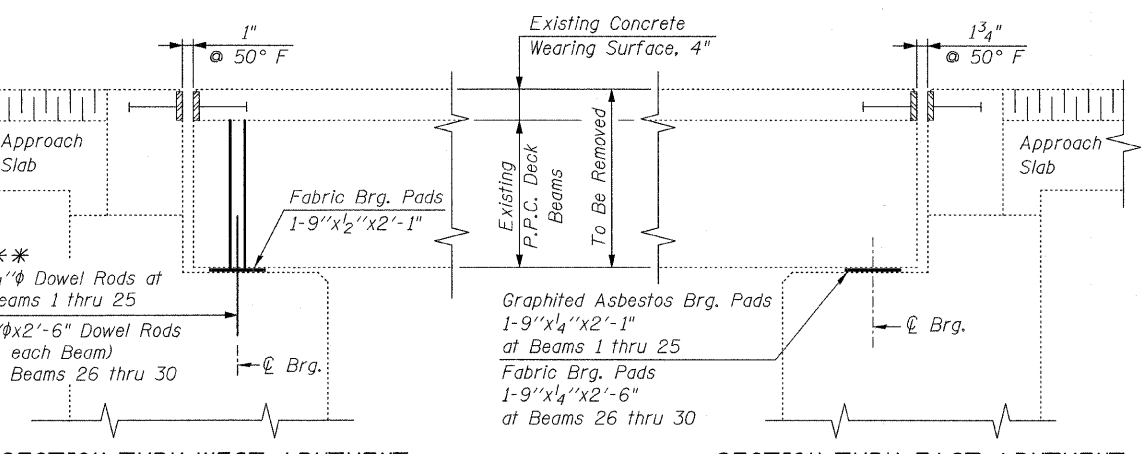
Notes:
After fabrication all surfaces of the Steel Plates shall be given one Shop Coat of paint specified for Structural Steel.
No field painting required.

Notes:
After beams have been erected, holes shall be drilled into substructure and anchor dowels placed. Dowel holes shall be filled with non-shrink grout to top of beam and allowed to cure min. 24 hrs. prior to grouting the shear keys.
All horizontal dimensions are at right angles to beam ends.
See Sheet S8 for bearing pad details.

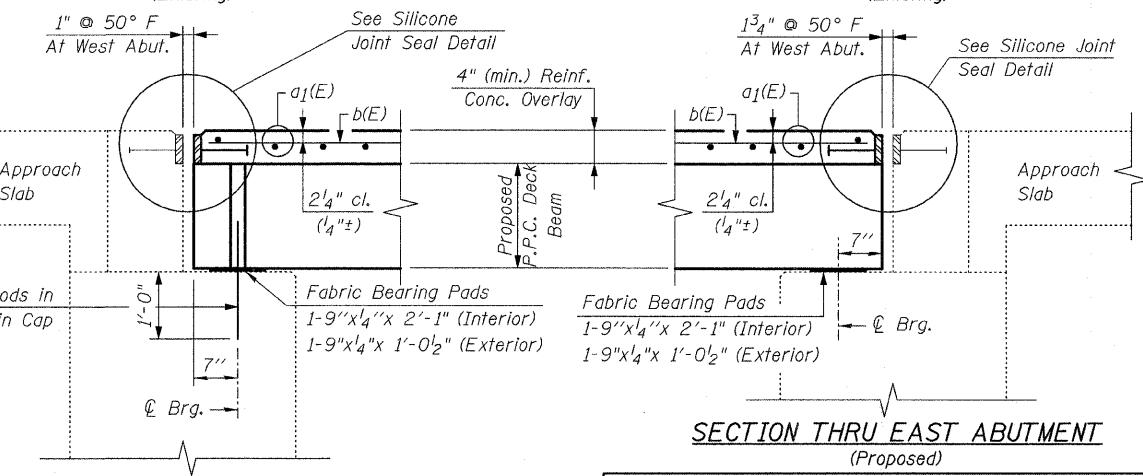
MINIMUM BAR LAP (Parapet)
#4 bar = 1'-8"
#5 bar = 2'-2"
#8 bar = 4'-6"

LEGEND:
I.F. = Inside Face
O.F. = Outside Face
E.F. = Each Face

NOTE:
For Bill of Material, See Sheet S5



SECTION THRU WEST ABUTMENT (Existing) and **SECTION THRU EAST ABUTMENT (Existing)**



SECTION THRU WEST ABUTMENT (Proposed) and **SECTION THRU EAST ABUTMENT (Proposed)**

STATE OF ILLINOIS DEPARTMENT OF TRANSPORTATION

SOUTH PARAPET DETAILS & JOINT DETAILS GOLF ROAD (IL RTE. 58) OVER SALT CREEK S.N. 016-0349

SCALE: NONE	SHEET NO. S7 OF S12 SHEETS	STA. TO STA.	F.A.P. RTE. 559/341	SECTION 2008-007 B	COUNTY COOK	TOTAL SHEETS 39	SHEET NO. 18
			FED. ROAD DIST. NO. ILLINOIS		CONTRACT NO. 60D55		