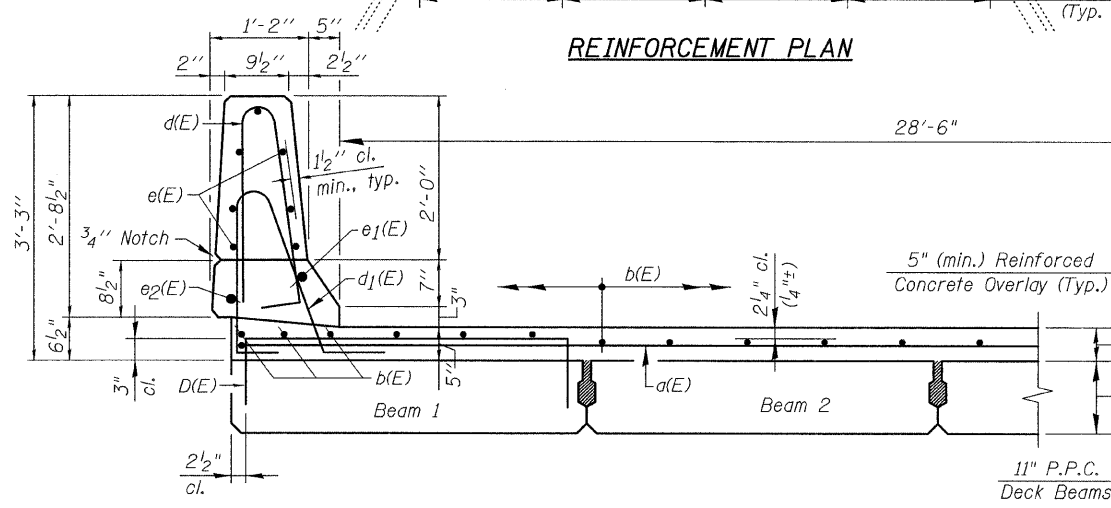
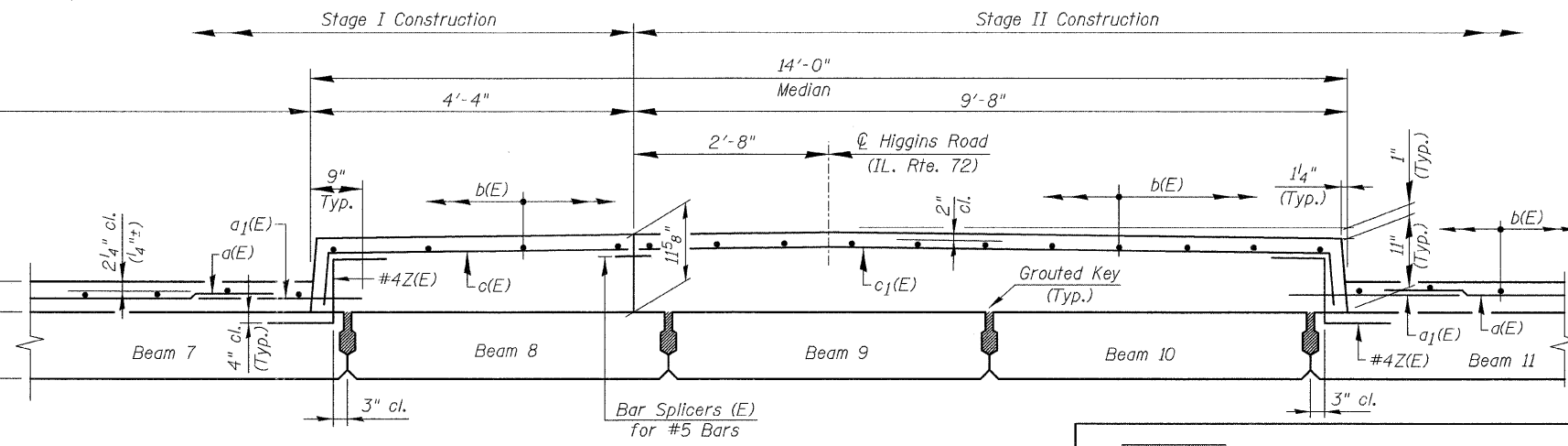


REINFORCEMENT PLAN



SECTION THRU PARAPET

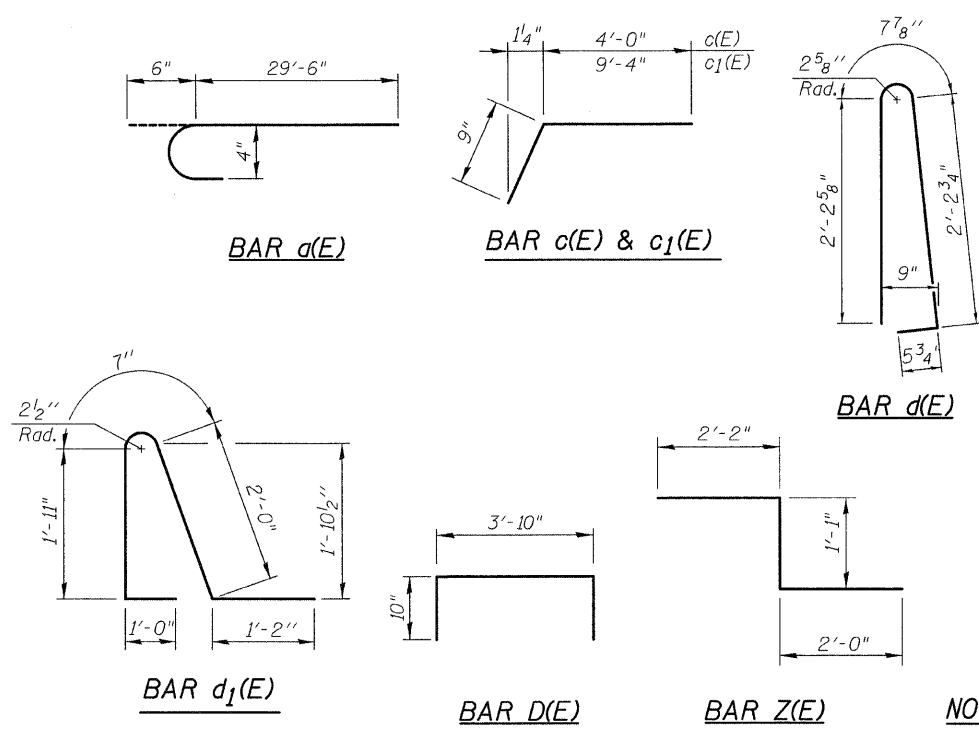


SECTION THRU MEDIAN

NOTE:
Bars indicated thus 29x2-#5 ect., indicates 29 lines of Bars with 2 lengths per line.

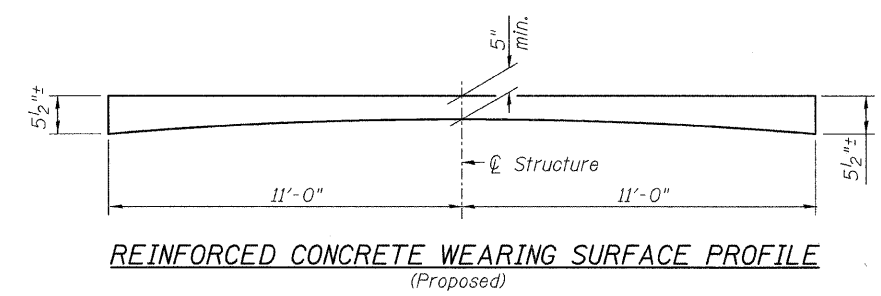
MIN. LAP:
#5 Bars = 2'-2"

NOTES:
#4D(E) Bars are to be cast with Beams 1 & 17. See Sht. S5 for Details. Cost is included with Precast Prestressed Concrete Deck Beams (11" Depth).
#4Z(E) Bars are to be cast with Beams 7 & 11. See Sht. S5 for Details. Cost is included with Precast Prestressed Concrete Deck Beams (11" Depth).



BILL OF MATERIAL

Bar	No.	Size	Length	Shape	
a(E)	88	#4	30'-0"	U	
a1(E)	88	#4	3'-9"	U	
b(E)	152	#4	23'-0"	U	
c(E)	44	#5	4'-9"	L	
c1(E)	44	#5	10'-1"	L	
d(E)	98	#5	5'-7"	L	
d1(E)	98	#5	6'-8"	L	
e(E)	56	#4	10'-8"	U	
e1(E)	4	#8	21'-9"	U	
e2(E)	4	#4	21'-9"	U	
Concrete Superstructure				Cu. Yd.	34.2
Reinforcement Bars, Epoxy Coated				Pound	6,940
Silicone Joint Sealer, 1 3/4"				Foot	74
Bar Splicers				Each	44
Concrete Wearing Surface, 5"				Sq. Yd.	292



REINFORCED CONCRETE WEARING SURFACE PROFILE (Proposed)

CR & A
CHRISTIAN-ROGE & ASSOCIATES, INC.
ENGINEERS / PLANNERS / SURVEYORS
211 W. WACKER DRIVE CHICAGO, IL. 60606
PHONE: (312)372-2023 FAX: (312)372-5274