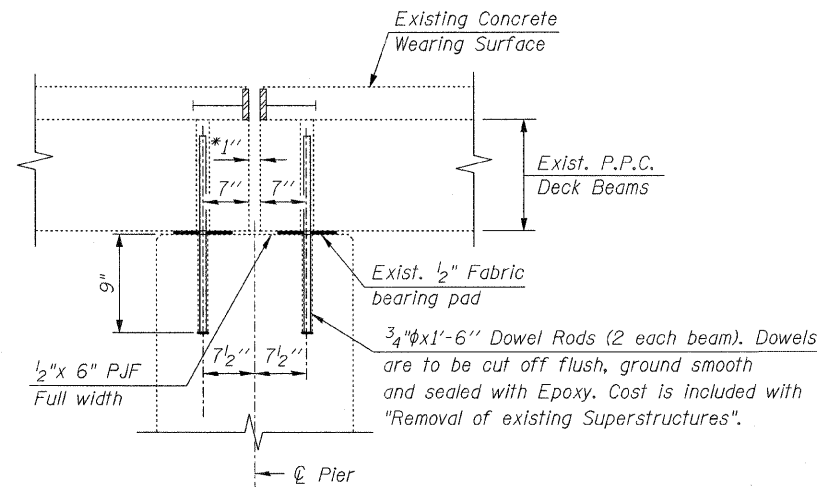


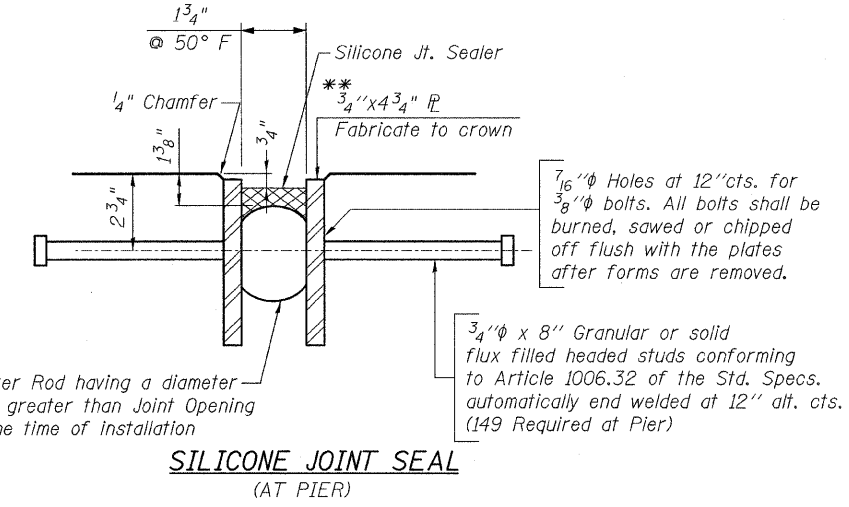
3/4"φx1'-6" Dowel Rods (2 each beam). Dowels are to be cut off flush, ground smooth and sealed with Epoxy. Cost is included with "Removal of existing Superstructures".

SECTION THRU ABUTMENT
(EXISTING)



3/4"φx1'-6" Dowel Rods (2 each beam). Dowels are to be cut off flush, ground smooth and sealed with Epoxy. Cost is included with "Removal of existing Superstructures".

SECTION THRU FIXED PIER
(EXISTING)

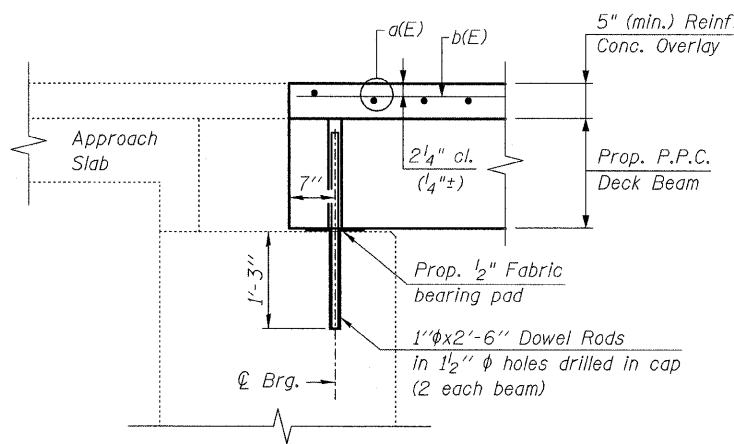


Backer Rod having a diameter 25% greater than Joint Opening at the time of installation

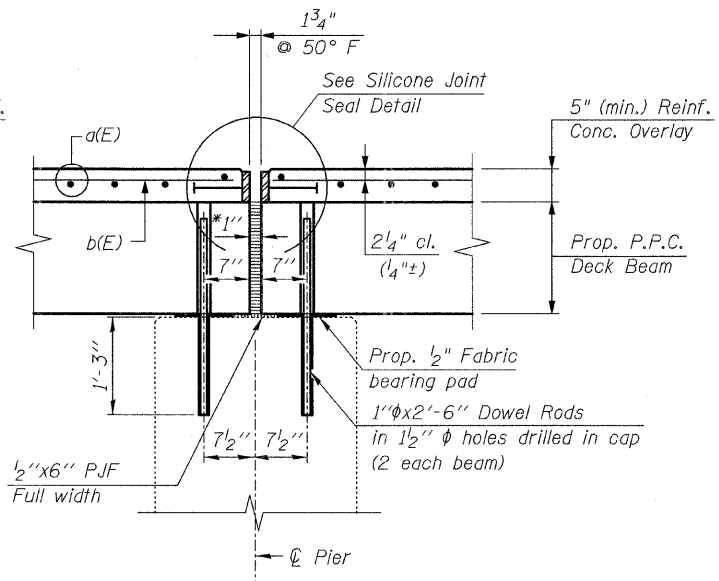
SILICONE JOINT SEAL
(AT PIER)

- * Furnish in segments of 20 ft. maximum length. Maximum space between installed segments shall be 3/16". Seal space with Silicone Sealant suitable for Structural Steel.
- ** Cut retainer bars in sidewalk or median 6" short of the sidewalk or median face.

NOTE:
Exist. P.P.C. Deck Beams & Concrete Wearing Surface to be removed



SECTION THRU ABUTMENT
(PROPOSED)



SECTION THRU FIXED PIER NO. 1
(PROPOSED)

Notes:
After fabrication all surfaces of the Steel Plates shall be given one Shop Coat of paint specified for Structural Steel.
No field painting required.

Notes:
After beams have been erected, holes shall be drilled into substructure and anchor dowels placed. Dowel holes shall be filled with non-shrink grout to top of beam and allowed to cure min. 24 hrs. prior to grouting the shear keys.
All horizontal dimensions are at right angles to beam ends.
See Sheet S8 for bearing pad details.

* 1" Jt. shall be filled with non-shrink grout. 1" dimension may vary to accommodate tolerance in beam lengths. Cost included with Concrete Wearing Surface, 5"

FILE NAME = joint_details.sht	USER NAME = IDOT	DESIGNED - B.N.S.	REVISED -	STATE OF ILLINOIS DEPARTMENT OF TRANSPORTATION	JOINT DETAILS HIGGINS ROAD (IL RTE. 72) OVER SALT CREEK S.N. 016-0504		F.A.P. RTE. 559/341	SECTION 2008-007 B	COUNTY COOK	TOTAL SHEETS 39	SHEET NO. 30	
PLOT SCALE = 1:2000' / IN.	CHECKED - B.N.S. / J.C.N.	DATE - APRIL 21, 2008	REVISED -		SCALE: NONE	SHEET NO. S7 OF S12 SHEETS	STA. TO STA.	FED. ROAD DIST. NO.	ILLINOIS FED. AID PROJECT	CONTRACT NO. 60D55		
PLOT DATE = 4/30/2008	DATE - APRIL 21, 2008	REVISED -	REVISED -									

CHRISTIAN-ROGE & ASSOCIATES, INC.
ENGINEERS / PLANNERS / SURVEYORS
211 W. WACKER DRIVE CHICAGO, IL 60606
PHONE: (312)372-2023 FAX: (312)372-5274