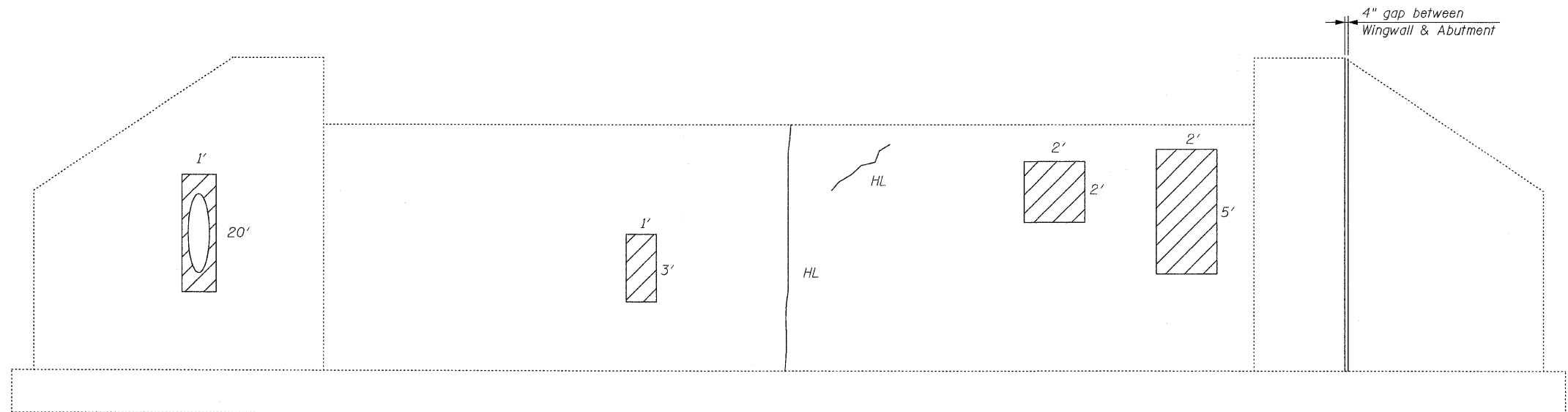


**EAST ABUTMENT**  
(LOOKING EAST)

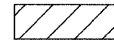
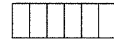

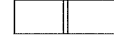


**WEST ABUTMENT**  
(LOOKING WEST)

**TOTAL BILL OF MATERIAL**

ITEM	UNIT	TOTAL
Structural Repair of Concrete (Depth Equal to or Less than 5 In.)	Sq. Ft.	68
Structural Repair of Concrete (Depth Greater than 5 In.)	Sq. Ft.	5

**LEGEND:**

-  Spalls with exposed Rebars  
Structural Repair of Concrete  
(Depth less than 5 In.)
-  Delamination
-  Structural Repair of Concrete  
(Depth greater than 5 In.)
-  Gap
- HL Hair Line



CHRISTIAN-ROGE & ASSOCIATES, INC.  
ENGINEERS / PLANNERS / SURVEYORS  
211 W. WACKER DRIVE CHICAGO, IL 60606  
PHONE: (312)372-2023 FAX: (312)372-5274

FILE NAME = abutment_repair.sht	USER NAME = IDOT	DESIGNED - B.N.S.	REVISED -
		DRAWN - D.L. / F.M.	REVISED -
		CHECKED - B.N.S. / J.C.N.	REVISED -
		DATE - APRIL 21, 2008	REVISED -

STATE OF ILLINOIS  
DEPARTMENT OF TRANSPORTATION

ABUTMENT REPAIR  
HIGGINS ROAD (IL RTE. 72) OVER SALT CREEK S.N. 016-0504

SCALE: NONE SHEET NO. S9 OF S12 SHEETS STA. TO STA.

F.A.P. RTE. 559/341	SECTION 2008-007 B	COUNTY COOK	TOTAL SHEETS 39	SHEET NO. 32
CONTRACT NO. 60D55				
FED. ROAD DIST. NO. ILLINOIS FED. AID PROJECT				