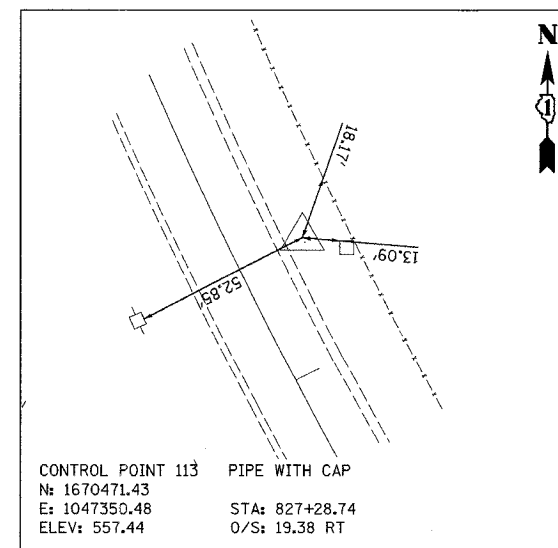
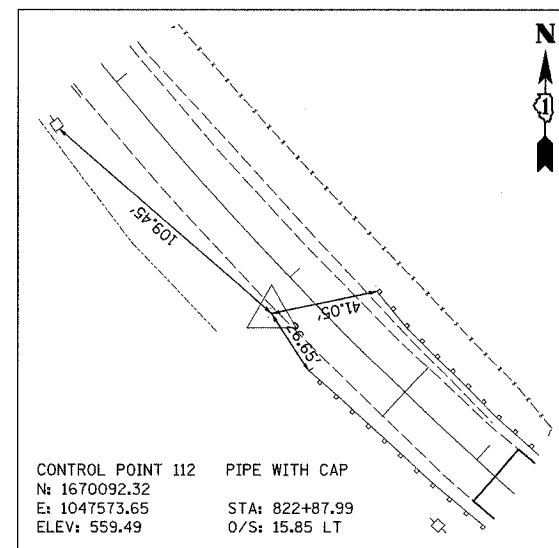
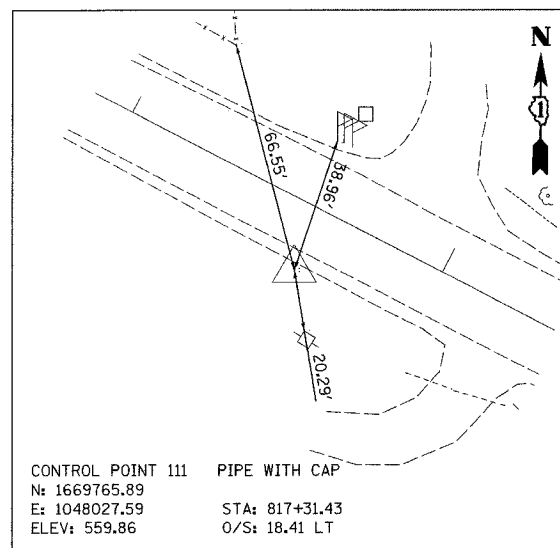
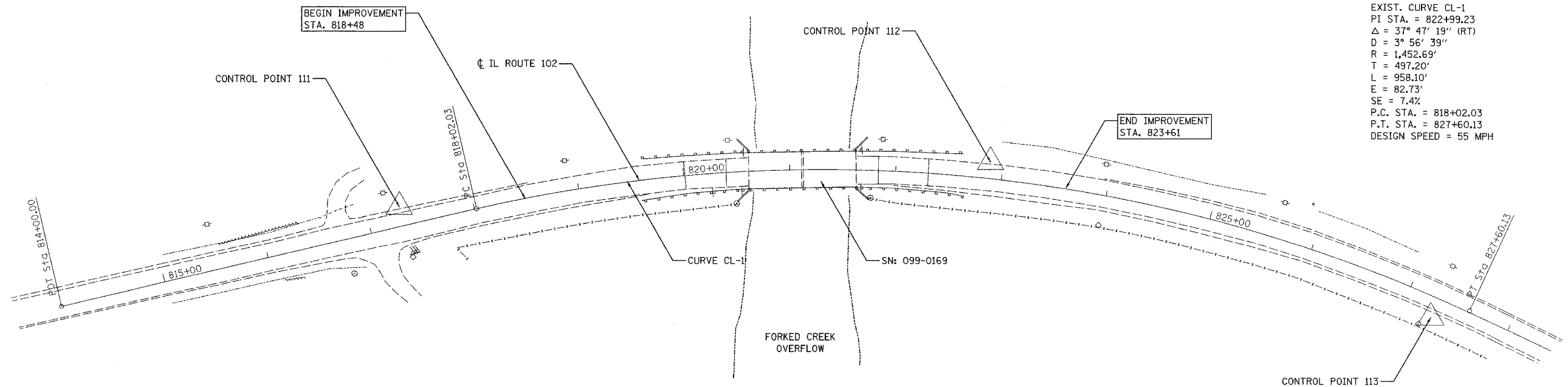


PROJECT COORDINATES

ILLINOIS ROUTE 102 CENTERLINE			
DESCRIPTION	NORTHING	EASTING	
P.O.T. 814+00	1669632.5637	1048331.5842	
P.C. 818+02.03	1669814.2086	1047972.9294	
P.T. 827+60.13	1670491.1026	1047319.4991	

EXIST. CURVE CL-1
 PI STA. = 822+99.23
 $\Delta = 37^\circ 47' 19''$ (RT)
 $D = 3^\circ 56' 39''$
 $R = 1,452.69'$
 $T = 497.20'$
 $L = 958.10'$
 $E = 82.73'$
 $SE = 7.4\%$
 P.C. STA. = 818+02.03
 P.T. STA. = 827+60.13
 DESIGN SPEED = 55 MPH



FILE NAME = r:\proj\3329\3329.dwg

Ciorba Group, Inc.
 CONSULTING ENGINEERS
 5507 North Cumberland Avenue, Suite 402
 Chicago, Illinois 60656
 Tel. 773.775.4009 Fax 773.775.4014

USER NAME = rdenley	DESIGNED - DMM	REVISED -
PLOT SCALE = 50.0000' / IN.	DRAWN - DMM	REVISED -
PLOT DATE = 5/15/2008	CHECKED - MJL	REVISED -
	DATE - 05/13/2008	REVISED -

STATE OF ILLINOIS
 DEPARTMENT OF TRANSPORTATION

FAP 631 / ILLINOIS ROUTE 102
 ILLINOIS ROUTE 102 OVER FORKED CREEK OVERFLOW
 ALIGNMENT AND CONTROL POINTS
 SCALE: 1"=50'
 SHEET NO. OF SHEETS STA. TO STA.

F.A.P. RTE.	SECTION	COUNTY	TOTAL SHEETS	SHEET NO.
631	111N-1 B	WILL	32	4
FED. ROAD DIST. NO. ILLINOIS FED. AID PROJECT			CONTRACT NO. 60D85	