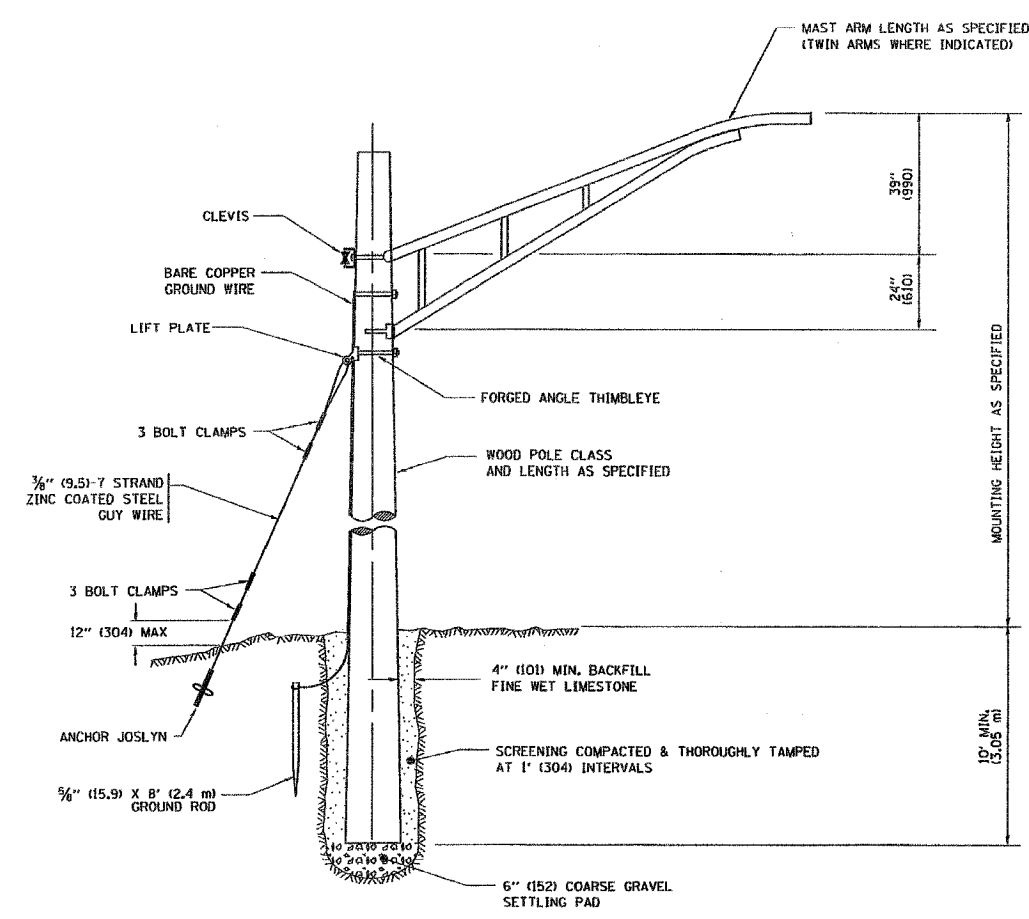
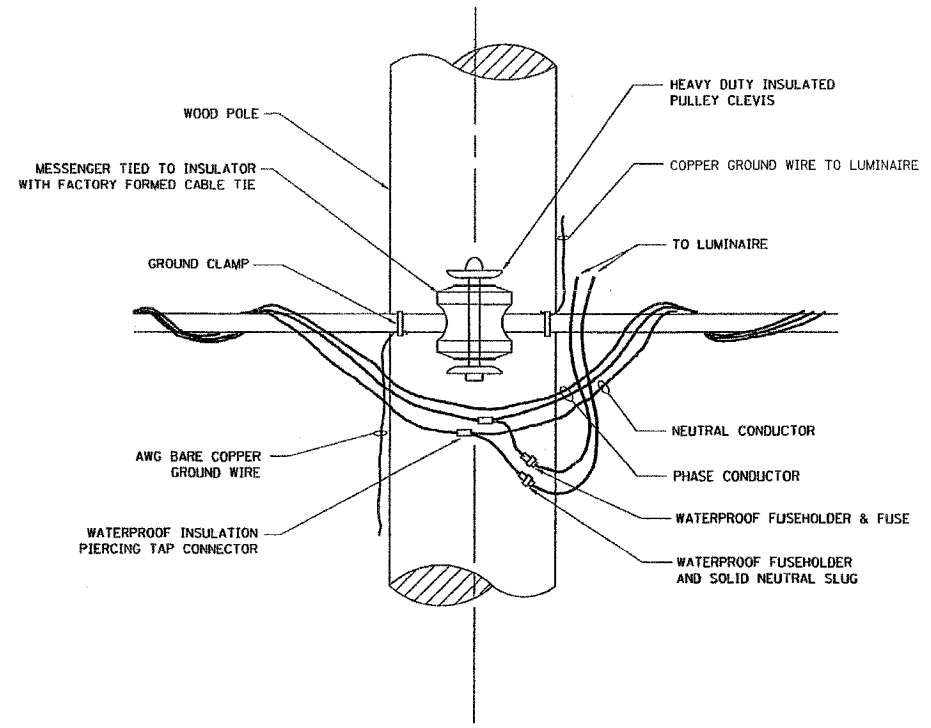


CONTRACT NO.				
F.A.P. RTE.	SECTION	COUNTY	TOTAL SHEETS	SHEET NO.
STA.	TO STA.			
FED. ROAD DIST. NO.	ILLINOIS	FED. AID PROJECT		

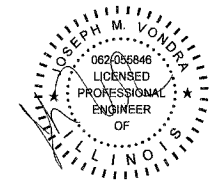


TEMPORARY LIGHT POLE DETAIL



TEMPORARY LIGHT POLE ATTACHMENT DETAIL

NOTES:
1. ALL DIMENSIONS IN INCHES (MILLIMETERS) UNLESS OTHERWISE INDICATED



DATE: 5/14/2008
SEAL EXPIRES: 11/30/2009

REVISIONS		ILLINOIS DEPARTMENT OF TRANSPORTATION
NAME	DATE	
	08/08/03	TEMPORARY LIGHT POLE DETAILS
SCALE: VERT. NONE HORIZ.		DRAWN BY CHECKED BY BE-800

PLOT DATE = 4/18/2007
 FILE NAME = K:\projects\60085\60085.dwg
 USER NAME = mbalog

USER NAME = mbalog	DESIGNED - JMV	REVISED -
PLOT SCALE = 1/8" = 1'-0"	DRAWN - MB	REVISED -
PLOT DATE = 5/14/2008	CHECKED - JMV	REVISED -
	DATE - 05/13/2008	REVISED -