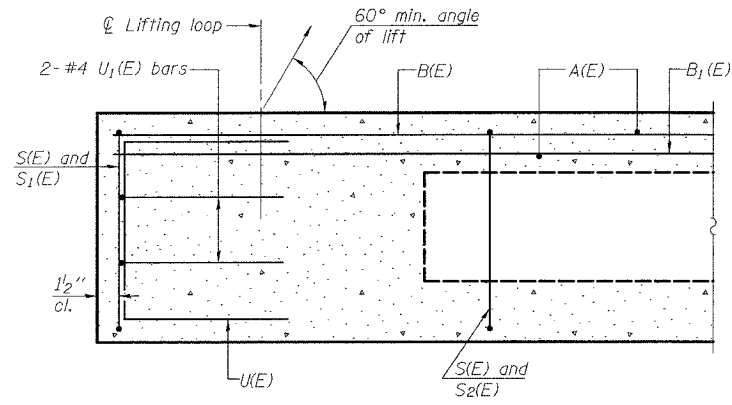


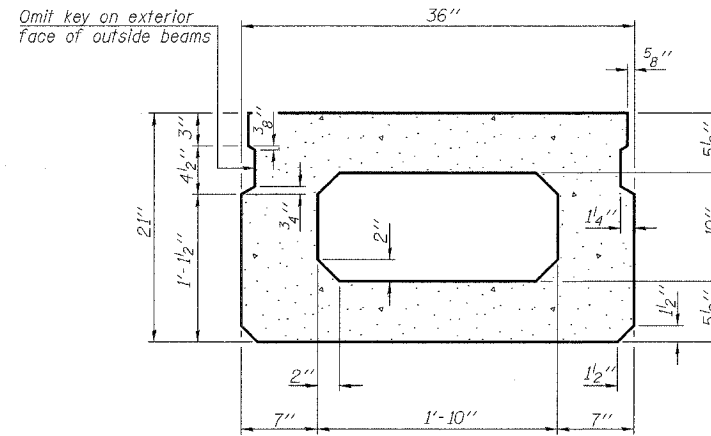
STATE OF ILLINOIS
DEPARTMENT OF TRANSPORTATION

ROUTE NO.	SECTION	COUNTY	TOTAL SHEETS	SHEET NO.
FAP 631	III-N-1 B	WILL	32	19
FED. ROAD DIST. NO. 7	ILLINOIS	FED. AID PROJECT		

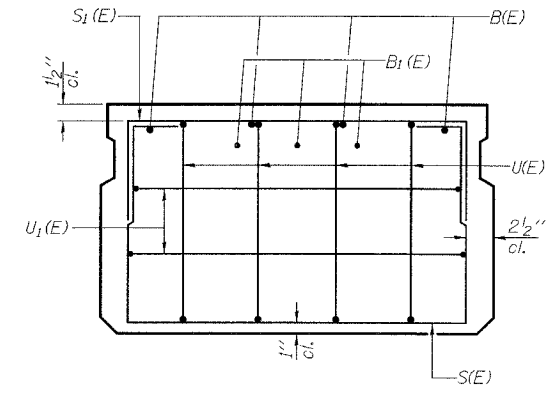
Contract # 60D85



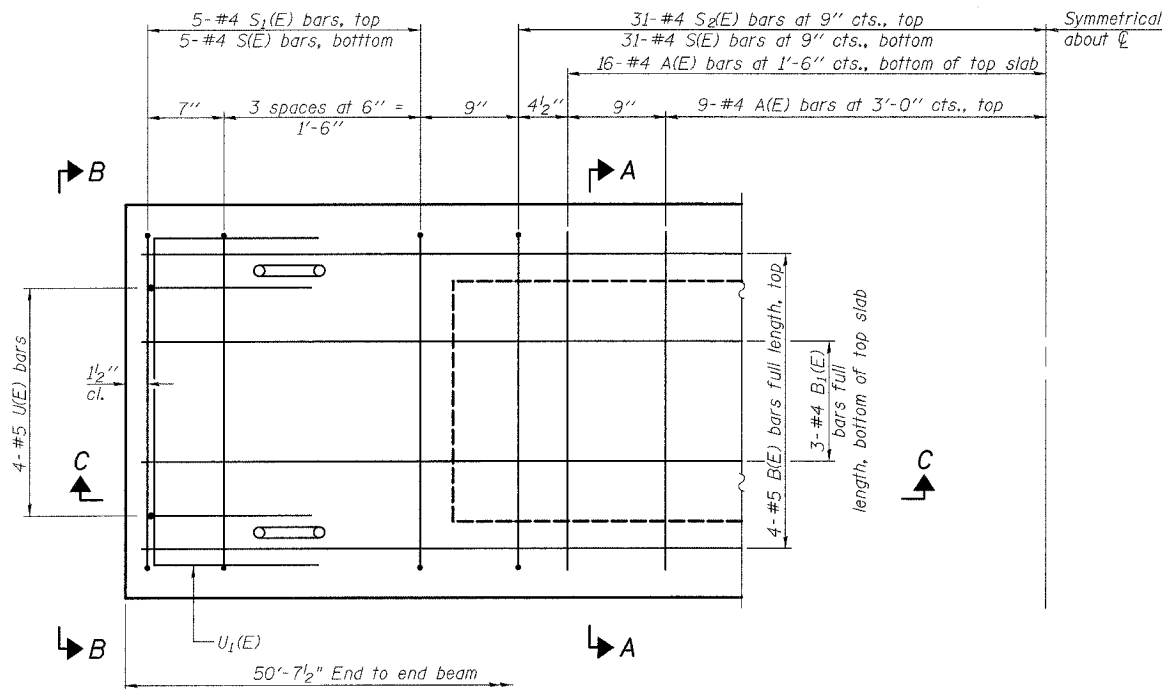
SECTION C-C



SECTION A-A
(Showing dimensions)

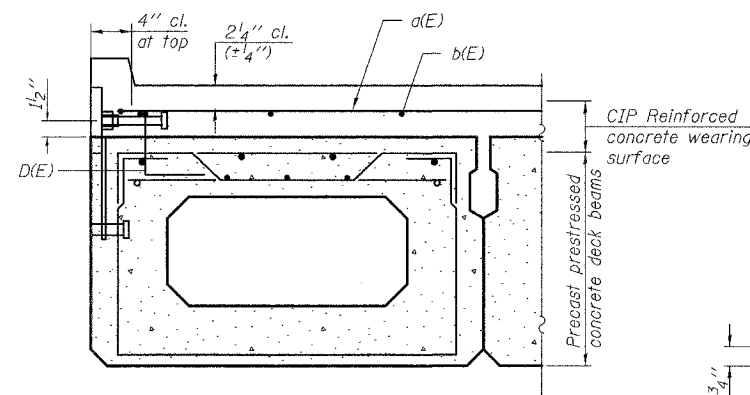


VIEW B-B



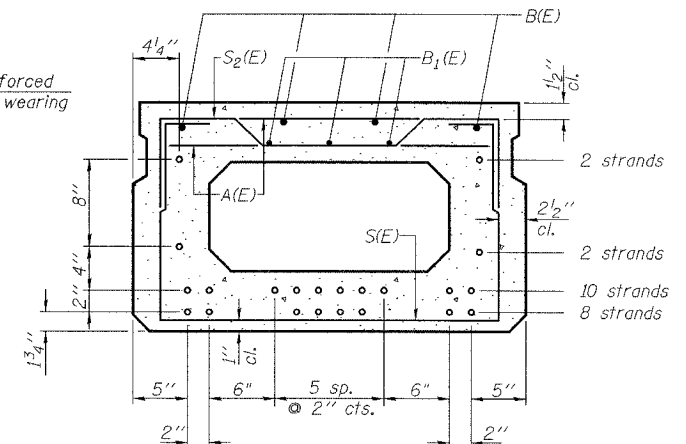
PLAN VIEW

Note: Spacing of S(E) and S2(E) bars may be adjusted up to 4" in the immediate area of the transverse tie diaphragms to miss the block outs for the transverse ties.



SECTION THRU EXTERIOR BEAM

See Typical Section Thru Interior Beam for strand pattern, dimensions and bar call outs. CWS and Curb shall be poured in the field.



SECTION A-A

(Showing reinforcement and permissible strand locations)

Note: Place the number of strands specified in each row symmetrically about the centerline of beam in the permissible strand locations shown.

BAR LIST ONE BEAM ONLY

(For information only)

Bar	No.	Size	Length	Shape
A(E)	50	#4	2'-7"	—
B(E)	4	#5	50'-4"	—
B1(E)	3	#4	50'-4"	—
S(E)	72	#4	6'-5"	U
S1(E)	10	#4	5'-7"	U
S2(E)	62	#4	5'-10"	U
U(E)	8	#5	4'-0"	U
U1(E)	4	#4	5'-0"	U

Note: See sheet 5 of 14 for additional details and Bill of Material.

21" x 36" PPC DECK BEAM
DETAILS NO. 1
FAP 631 (ILL. RTE. 102)
OVER FORKED CREEK OVERFLOW
SECTION III N-1 B
WILL COUNTY
STA. 821+12.20
S.N. 099-0169

DESIGNED	B. Sauter
CHECKED	E. Mroczek
DRAWN	R. Danley
CHECKED	B. Sauter



Ciorba Group, Inc.
CONSULTING ENGINEERS
5507 North Cumberland Avenue, Suite 402 Chicago, Illinois 60656
Tel. 773.775.4009 Fax 773.775.4014 Email chicago@ciorba.com

PD-2136-0

8-29-07

r.danley

5/15/2008

rs:\proj\3329\3329_21\design\structural\load\sh1\3329_21_04 Beams_21x36.sht