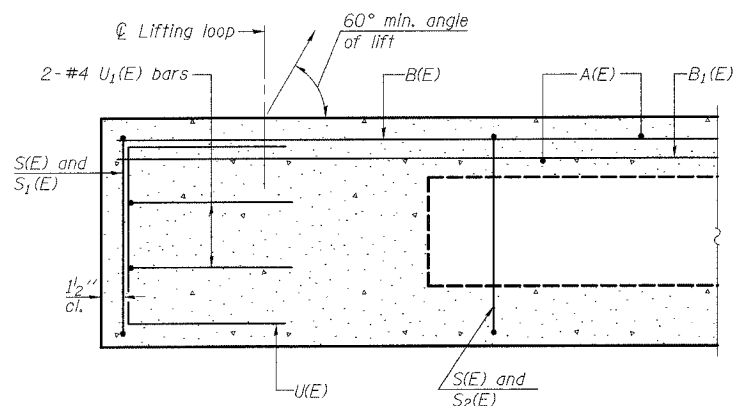


STATE OF ILLINOIS
DEPARTMENT OF TRANSPORTATION

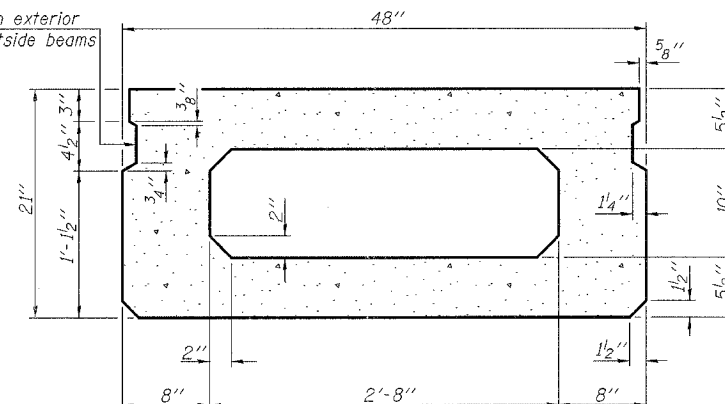
ROUTE NO.	SECTION	COUNTY	FEEDBACK	SHEET NO.	SHEET NO. 6 14 SHEETS
FAP 631	(III-N-1 B)	WILL	32	21	
FED. ROAD DIST. NO. 7	BILLINGS	FED. AID PROJECT			

Contract # 60D85

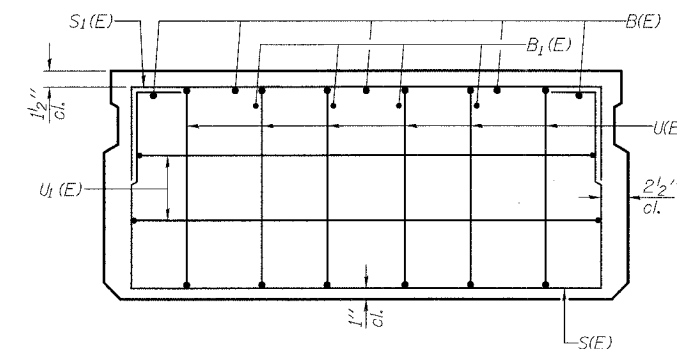


SECTION C-C

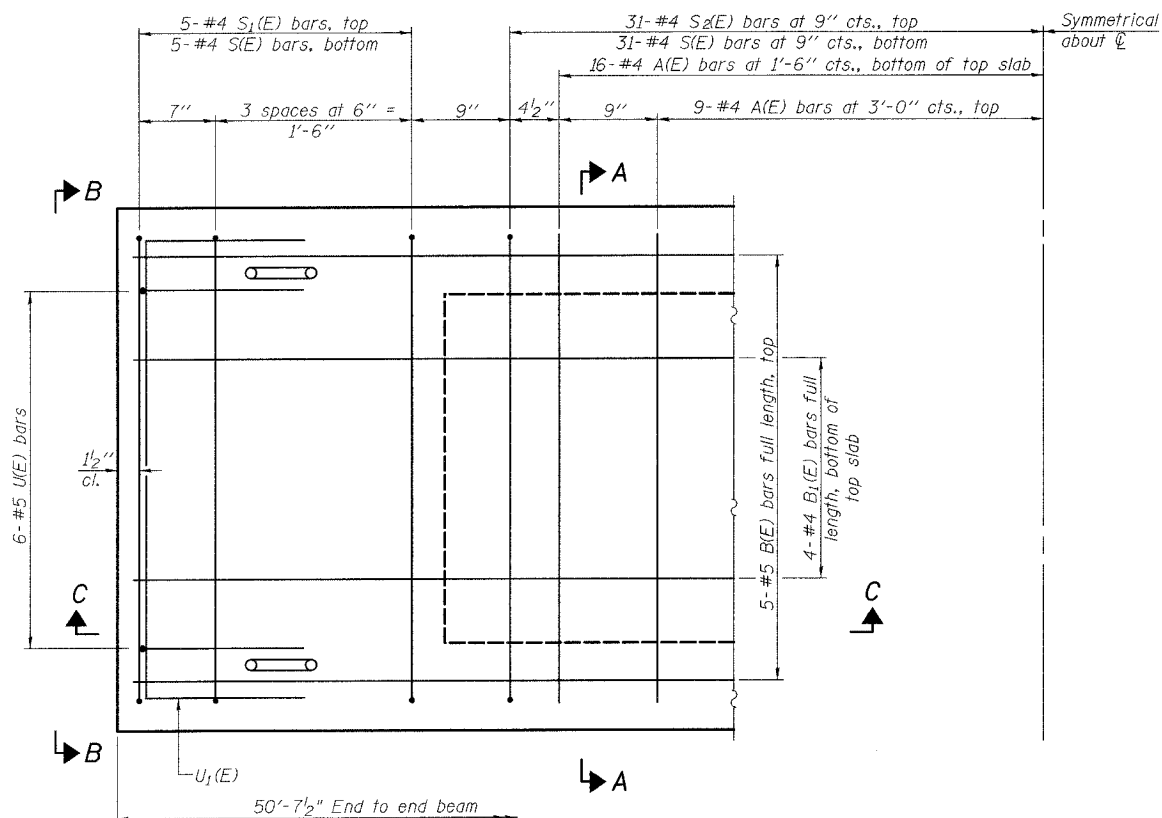
Omit key on exterior face of outside beams



SECTION A-A
(Showing dimensions)

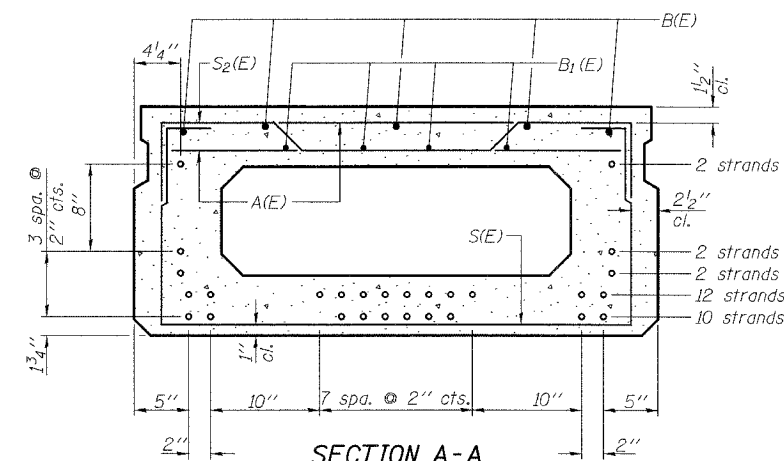


VIEW B-B



PLAN VIEW

Note: Spacing of S(E) and S2(E) bars may be adjusted up to 4\"/>



SECTION A-A
(Showing reinforcement and permissible strand locations)

Note: Place the number of strands specified in each row symmetrically about the centerline of beam in the permissible strand locations shown.

BAR LIST ONE BEAM ONLY

(For Information Only)

Bar	No.	Size	Length	Shape
A(E)	50	#4	3'-7"	—
B(E)	5	#5	50'-4"	—
B1(E)	4	#4	50'-4"	—
S(E)	72	#4	7'-5"	□
S1(E)	10	#4	6'-7"	□
S2(E)	62	#4	6'-10"	□
U(E)	12	#5	4'-0"	□
U1(E)	4	#4	6'-0"	□

Note: See sheet 7 of 14 for additional details and Bill of Material.

21" x 48" PPC DECK BEAM
DETAILS NO. 1
FAP 631 (ILL. RTE. 102)
OVER FORKED CREEK OVERFLOW
SECTION III N-1 B
WILL COUNTY
STA. 821+12.20
S.N. 099-0169

DESIGNED	B. Sauter
CHECKED	E. Mroczek
DRAWN	R. Danley
CHECKED	B. Sauter



Ciorba Group, Inc.
CONSULTING ENGINEERS
5507 North Cumberland Avenue, Suite 402 Chicago, Illinois 60656
Tel. 773.775.4009 Fax 773.775.4014 Email chicago@ciorba.com

PD-2148-0

8-29-07

rcbooley

5/15/2008

ra:\p3\3329\3329_21\design\structural\load\veh\3329_21_06 Beams 21x48.sht