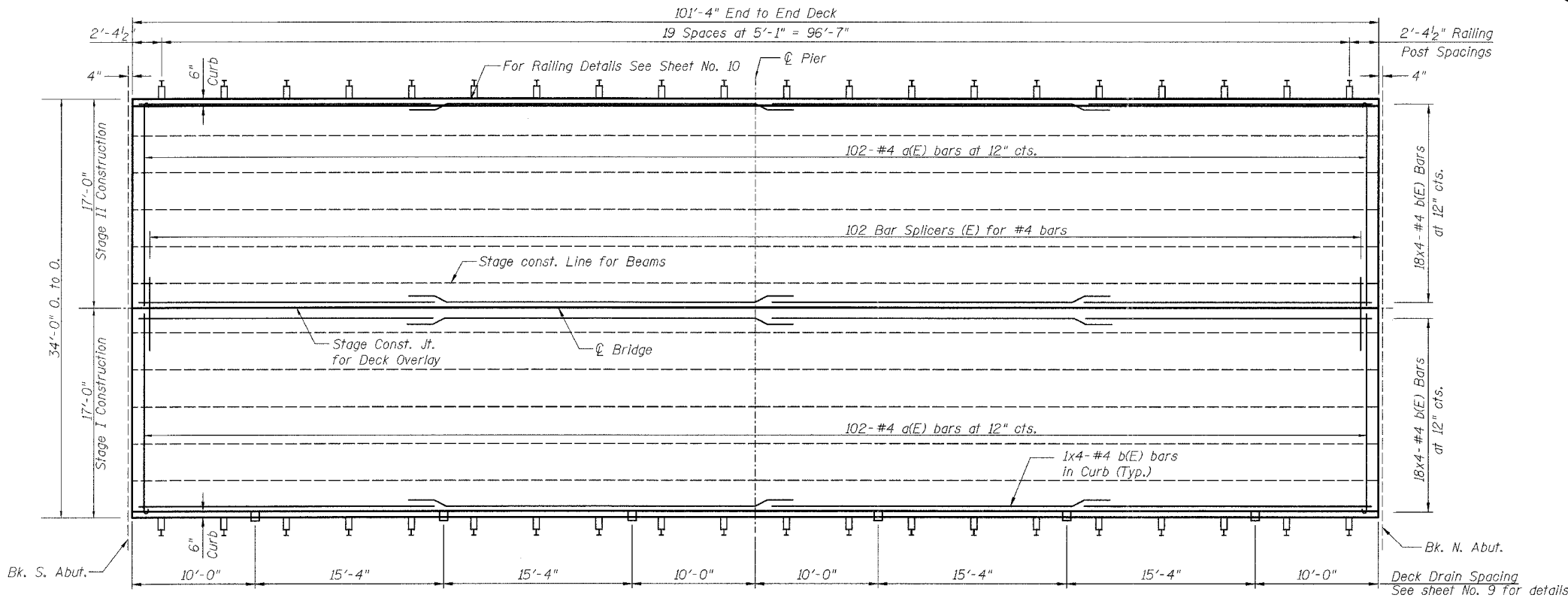


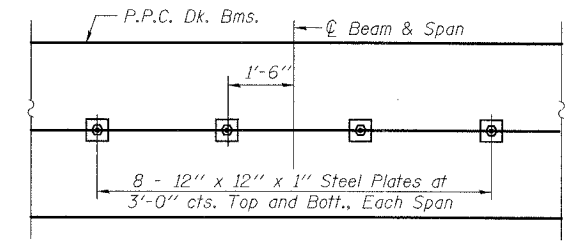
STATE OF ILLINOIS  
DEPARTMENT OF TRANSPORTATION

ROUTE NO.	SECTION	COUNTY	TOTAL SHEETS	SHEET NO.
FAP 631	(11N-1 B)	WILL	32	23
FED. ROAD DIST. NO. 7	BUILDING	FED. AID PROJECT-		

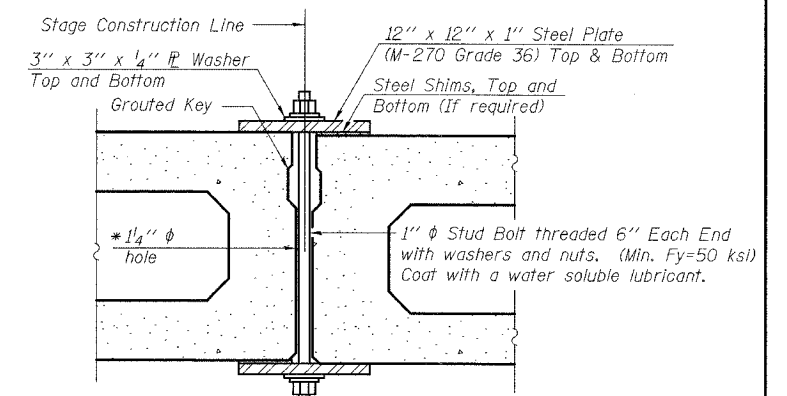
Contract # 60D85



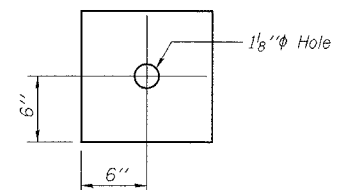
CONCRETE WEARING SURFACE - PLAN



PLAN



SECTION

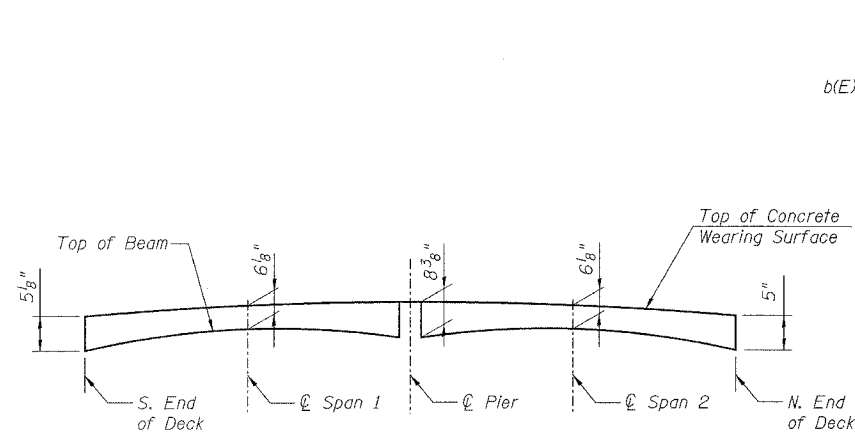


CLAMPING PLATE

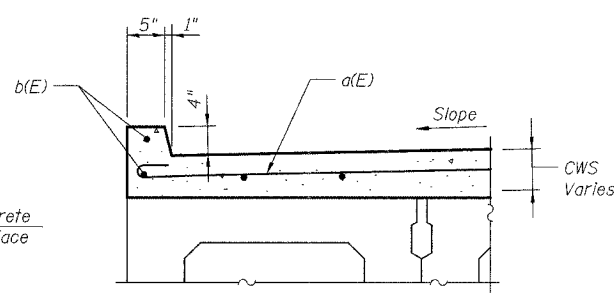
SHEAR KEY CLAMPING DETAILS AT STAGE CONST. JT.

Cost included with Precast Prestressed Concrete Deck Beams. See Stage Construction Details for traffic lanes.

\* The fabricator shall cast 2" diameter semi-circular recesses in the sides of each beam adjacent to the stage construction line. These recesses should align to form a hole at the appropriate locations for the clamping device bolts. The Contractor shall show the details on the shop drawings.

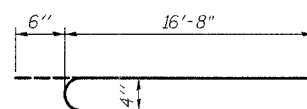


REINFORCED CONCRETE WEARING SURFACE PROFILE



SECTION THRU CURB

Curbs shall be poured in the field.



a(E) BAR

BILL OF MATERIAL

Bar	No.	Size	Length	Shape
a(E)	204	#4	17'-2"	
b(E)	152	#4	26'-6"	
Reinforcement Bars, Epoxy Coated		Pound	5,030	
Concrete Wearing Surface (5")		Sq. Yd.	383	
Bar Splicers		Each	102	
Bridge Deck Grooving		Sq. Yd.	353	
Protective Coat		Sq. Yd.	383	

NOTES:

1. Reinforcement bars designated (E) shall be epoxy coated.
2. Bars indicated thus 2x3-#4 etc. indicates 2 lines of bars with 3 lengths per line.

LAP LENGTH  
# 4 bars - 1'-8"

SUPERSTRUCTURE DETAILS 1  
FAP 631 (ILL. RTE. 102)  
OVER FORKED CREEK OVERFLOW  
SECTION III N-1 B

WILL COUNTY  
STA. 821+12.20  
S.N. 099-0169

DESIGNED	B. Sauter
CHECKED	E. Mroczek
DRAWN	R. Danley
CHECKED	B. Sauter

**CG** Ciorba Group, Inc.  
CONSULTING ENGINEERS  
5507 North Cumberland Avenue, Suite 402 Chicago, Illinois 60656  
Tel. 773.775.4009 Fax 773.775.4014 Email chicago@ciorba.com

5/15/2008

ra:\proj\3329\3329-21\desig\structure\cws\sheet\3329\_21\_08 Superstructure\_Details1.sht