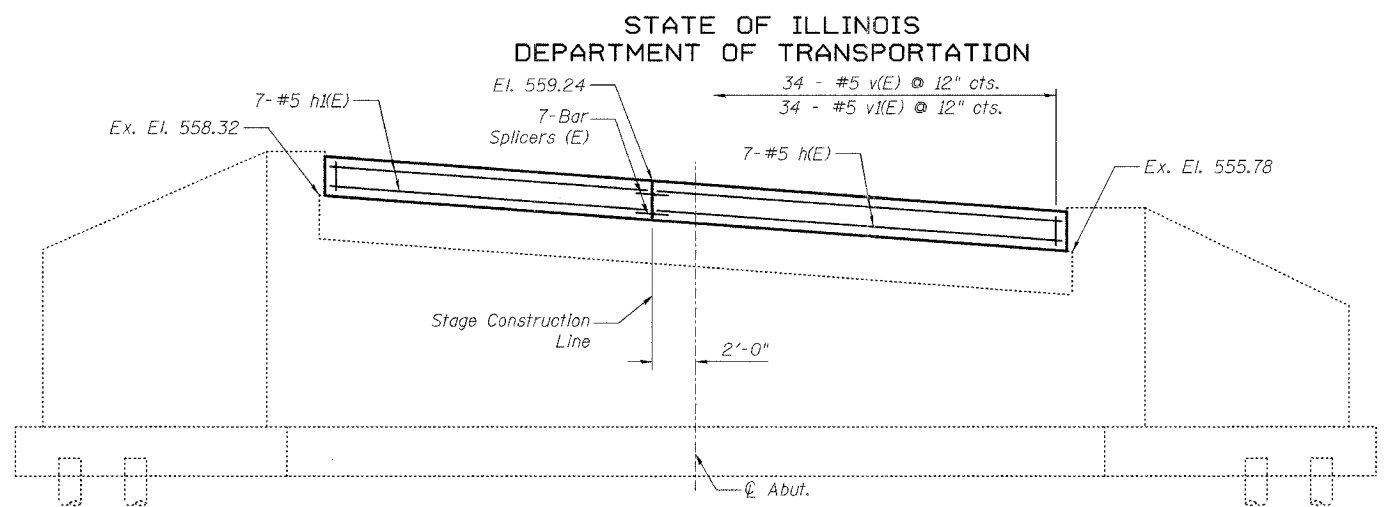
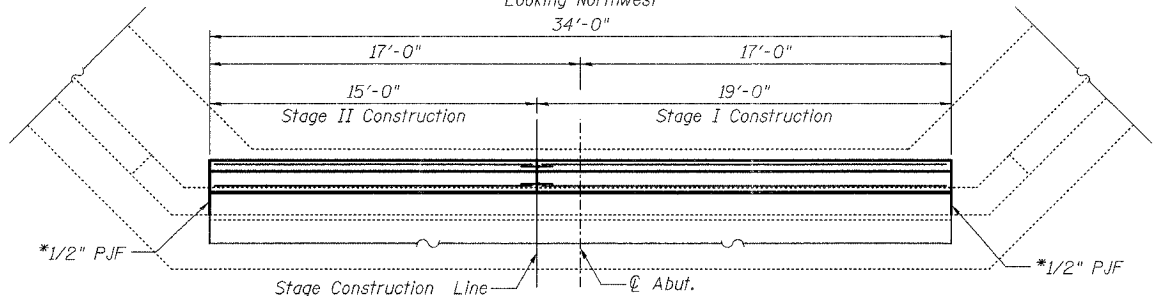


Contract # 60D85



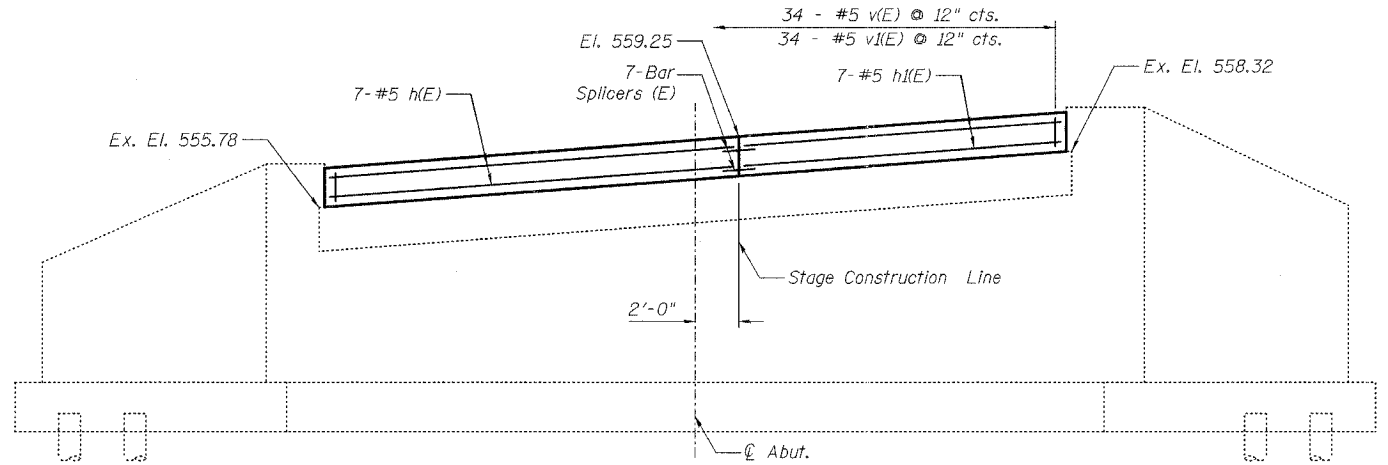
**NORTH ABUTMENT - ELEVATION**

Looking Northwest



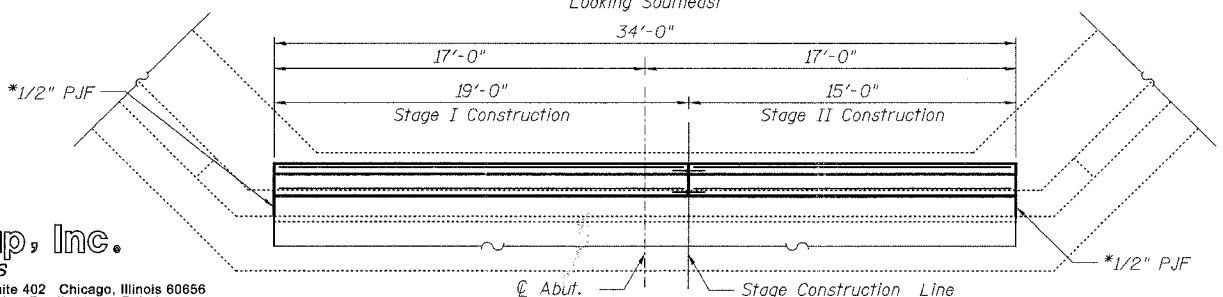
**NORTH ABUTMENT - PLAN**

\* Cost of P.J.F. included with Precast Prestressed Concrete Deck Beams



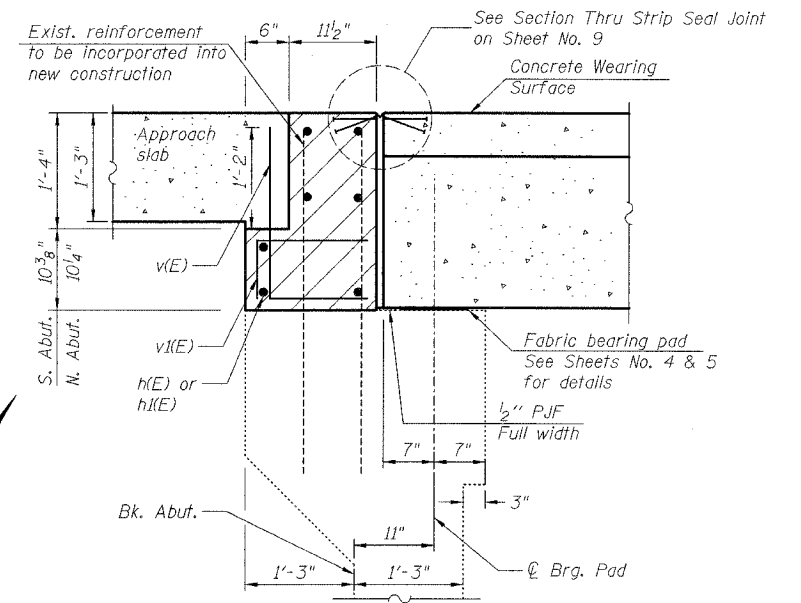
**SOUTH ABUTMENT - ELEVATION**

Looking Southeast



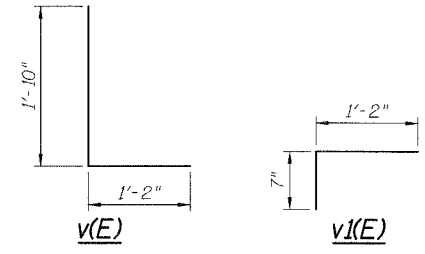
**SOUTH ABUTMENT - PLAN**

\* Cost of P.J.F. included with Precast Prestressed Concrete Deck Beams



**SECTION THRU ABUTMENT**

Notes:  
All horizontal dimensions are at right angles to beam ends.  
Hatched area to be poured after concrete wearing surface is in place.  
See sheets No. 5 & 7 - for bearing pad details.



**BILL OF MATERIAL**

Bar	No.	Size	Length	Shape	
h(E)	14	#5	18'-8"	—	
h(E)	14	#5	14'-8"	—	
v(E)	68	#5	3'-0"	—	
v(E)	68	#5	1'-9"	—	
Reinforcement Bars, Epoxy Coated				Pound	820
Concrete Superstructure				Cu. Yd.	6.4
Bar Splicers				Each	14

**NORTH & SOUTH ABUTMENTS**  
FAP 631 (ILL. RTE. 102)  
OVER FORKED CREEK OVERFLOW  
SECTION III N-1 B  
WILL COUNTY  
STA. 821+12.20  
S.N. 099-0169

DESIGNED	B. Sauter
CHECKED	E. Mroczek
DRAWN	R. Danley
CHECKED	B. Sauter

**Ciorba Group, Inc.**  
CONSULTING ENGINEERS  
5507 North Cumberland Avenue, Suite 402 Chicago, Illinois 60656  
Tel. 773.775.4009 Fax 773.775.4014 Email chicago@ciorba.com

5/15/2006 rdm\leg 5/15/2006 rdm\leg 5/15/2006 rdm\leg