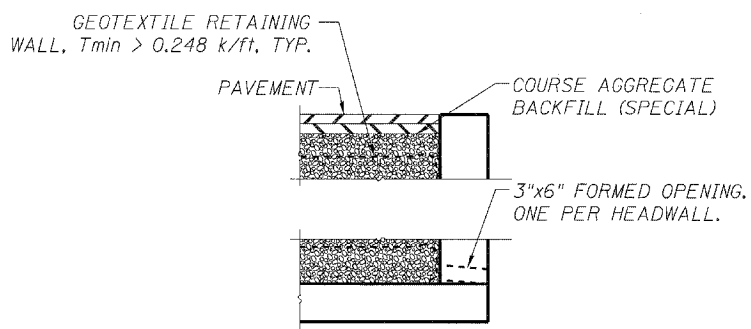
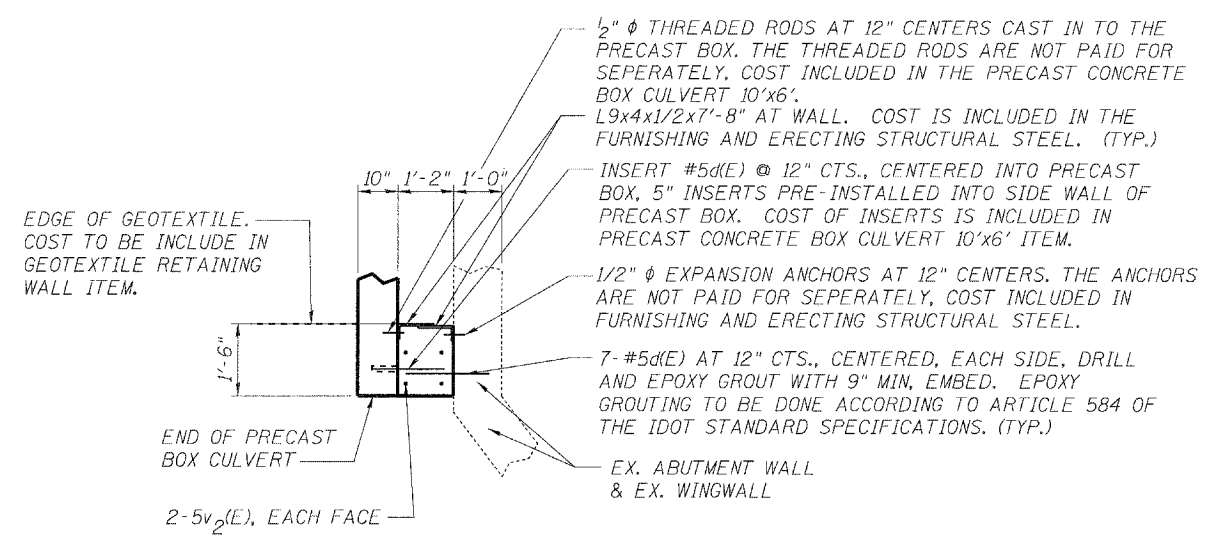


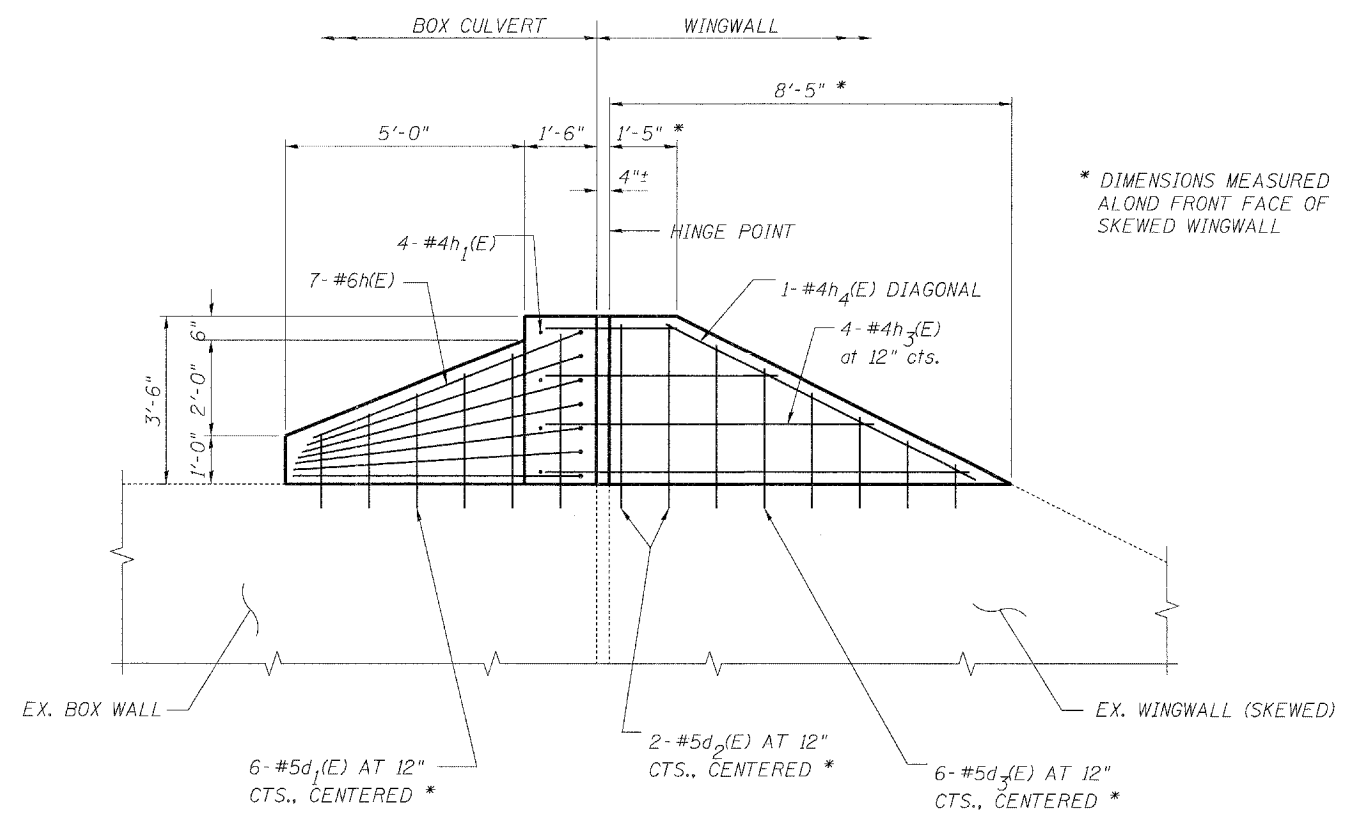
SECTION A-A



DRAIN DETAIL



SECTION B-B



VIEW C-C

* DRILL AND EPOXY GROUT #5d1(E), #5d2(E) AND #5d3(E) WITH 9" MIN. EMBED.