

F.A.I.	SECTION	COUNTY	TOTAL SHEETS	SHEET NO.
94/90	*	COOK	25	3
STA.	TO STA.			
FED. ROAD DIST. NO.	ILLINOIS	FED. AID PROJECT		

62988

SUMMARY OF QUANTITIES

CODE NO.	ITEM	UNIT	QUANTITY	URBAN
				100% STATE JOOO
20200100	EARTH EXCAVATION	CU YD	201	201
21101615	TOPSOIL FURNISH AND PLACE, 4"	SQ YD	58	58
21101645	TOPSOIL FURNISH AND PLACE, 12"	SQ YD	140	140
25000210	SEEDING, CLASS 2A	ACRE	0.03	0.03
25000400	NITROGEN FERTILIZER NUTRIENT	POUND	9	9
25000500	PHOSPHORUS FERTILIZER NUTRIENT	POUND	9	9
25000600	POTASSIUM FERTILIZER NUTRIENT	POUND	9	9
25001800	SEEDING, CLASS 4 (MODIFIED)	ACRE	0.07	0.07
25100630	EROSION CONTROL BLANKET	SQ YD	496	496
28000510	INLET FILTERS	EACH	2	2
44002300	CURB REMOVAL (PARTIAL)	FOOT	90	90
44004250	PAVED SHOULDER REMOVAL	SQ YD	136	136
50300225	CONCRETE STRUCTURES	CU YD	1.4	1.4
50300255	CONCRETE SUPERSTRUCTURE	CU YD	1.4	1.4
50300300	PROTECTIVE COAT	SQ YD	7	7
50300510	RUSTICATION FINISH	SQ FT	19	19
50800205	REINFORCEMENT BARS, EPOXY COATED	POUND	240	240
60618324	CONCRETE MEDIAN SURFACE, 6" INCH (SPECIAL)	SQ FT	377	377
63200310	GUARDRAIL REMOVAL	FOOT	76	76
66400550	CHAIN LINK FENCE, 4' (SPECIAL)	FOOT	881	881
67100100	MOBILIZATION	L SUM	1	1
70101800	TRAFFIC CONTROL AND PROTECTION, (SPECIAL)	L SUM	1	1
70106800	CHANGEABLE MESSAGE SIGN	CAL MO	6	6
X0322256	TEMPORARY INFORMATION SIGNING	SQ FT	26	26
X0323973	SEDIMENT CONTROL, SILT FENCE	FOOT	905	905
X0323974	SEDIMENT CONTROL, SILT FENCE MAINTENANCE	FOOT	226	226
X0324640	FLUTED KNEE WALL	FOOT	929	929
X2500322	SEEDING, CLASS 5A (MODIFIED)	ACRE	0.07	0.07
Z0013798	CONSTRUCTION LAYOUT	L SUM	1	1
X0325891	IMPACT ATTENUATORS (FULLY REDIRECTIVE, RESETTABLE), TEST LEVEL 2	EACH	1	1

INDEX OF SHEETS

SHEET	DESCRIPTION
1	COVER SHEET
2	GENERAL NOTES
3	SUMMARY OF QUANTITIES / INDEX / HIGHWAY STANDARDS
4	EXISTING AND PROPOSED TYPICAL SECTIONS
5-9	ALIGNMENT PLANS, SURVEY TIES AND CONTROL POINTS
10-12	EXISTING AND PROPOSED KNEE WALL PLANS
13-14	STRUCTURAL DETAILS
15	BD-51 DISTRICT 1, BENCHING DETAIL FOR EMBANKMENT WIDENING
16	TC-10 DISTRICT 1, TRAFFIC CONTROL AND PROTECTION FOR SIDE ROADS, INTERSECTIONS & DRIVEWAYS
17	TC-17 DISTRICT 1, TRAFFIC CONTROL DETAILS FOR FREEWAY SHOULDER CLOSURES PARTIAL RAMP CLOSURES
18	TC-18 DISTRICT 1, SIGNING FOR FLAGGING OPERATIONS AT WORK ZONE OPENINGS
19	TC-22 DISTRICT 1, ARTERIAL ROAD INFORMATION SIGN
20-25	CROSS SECTIONS

IDOT HIGHWAY STANDARDS

SHEET	DESCRIPTION
000001-05	STANDARD SYMBOLS, ABBREVIATIONS, AND PATTERNS
001001-01	AREAS OF REINFORCEMENT BARS
001006	DECIMAL OF AN INCH AND OF A FOOT
664001-01	CHAIN LINK FENCE
701601-05	URBAN LANE CLOSURE, MULTILANE, 1W OR 2W WITH NONTRAVERSABLE MEDIAN
701701-05	URBAN LANE CLOSURE, MULTILANE INTERSECTION
701801-03	LANE CLOSURE, MULTILANE, 1W OR 2W, CROSSWALK OR SIDEWALK CLOSURE, for speeds < 45 mph
701901	TRAFFIC CONTROL DEVICES
720001	SIGN PANEL MOUNTING DETAILS
720006-01	SIGN PANEL ERECTION DETAILS
728001	TELESCOPING STEEL SIGN SUPPORT
731001	BASE FOR TELESCOPING STEEL SIGN SUPPORT

S00-1

REVISIONS	
NAME	DATE

ILLINOIS DEPARTMENT OF TRANSPORTATION  
F.A.I. 94/90 (DAN RYAN EXPRESSWAY)  
NORTHBOUND KNEE WALLS (47TH ST TO 45TH ST)

SUMMARY OF QUANTITIES

SCALE: NONE  
DATE: 04/25/08

DRAWN BY: JDC  
CHECKED BY:

BOWMAN, BARRETT & ASSOCIATES INC.  
CONSULTING ENGINEERS  
Chicago, Illinois  
312.228.0100  
www.bbainc.com

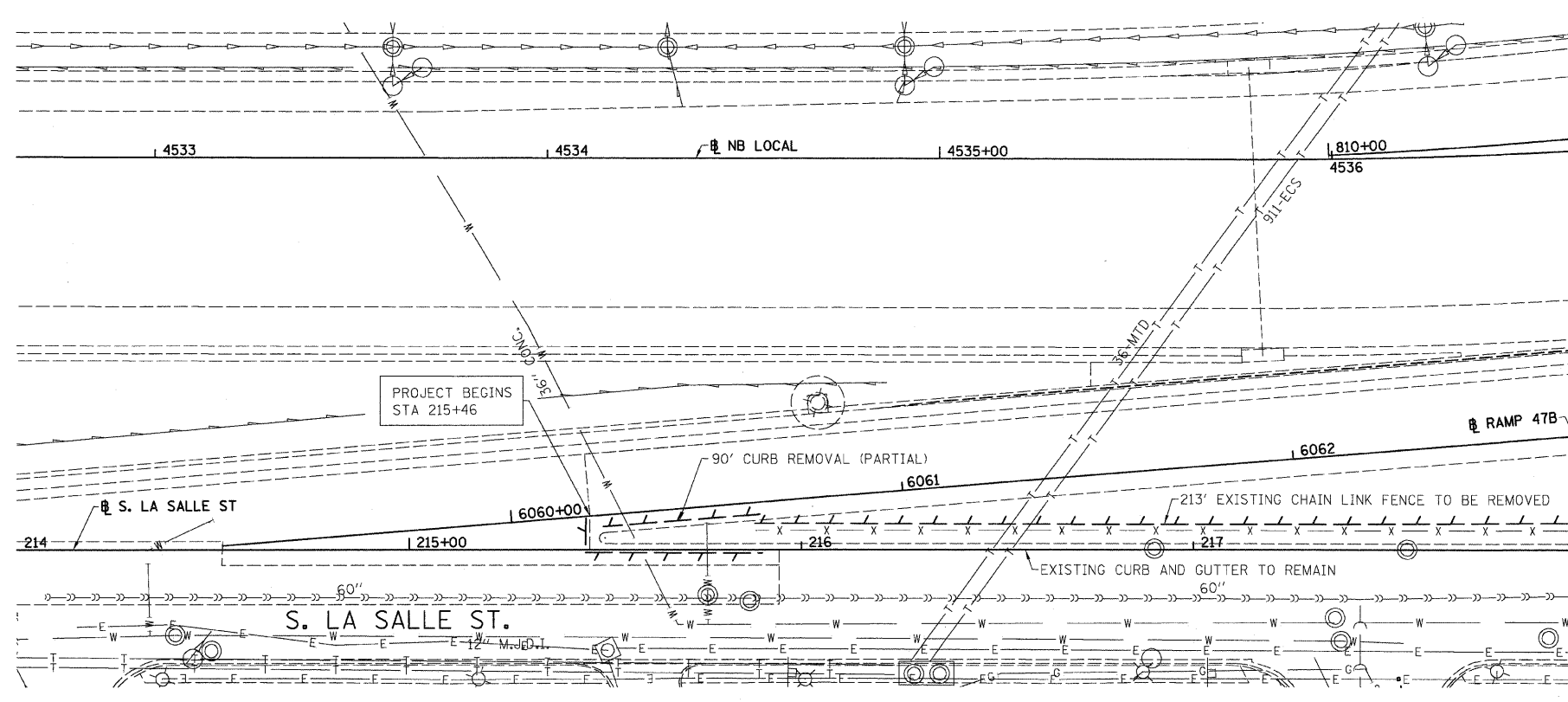


Rev. 7-18-08  
Rev. 7-15-08

4/24/2008 3:56:27 PM

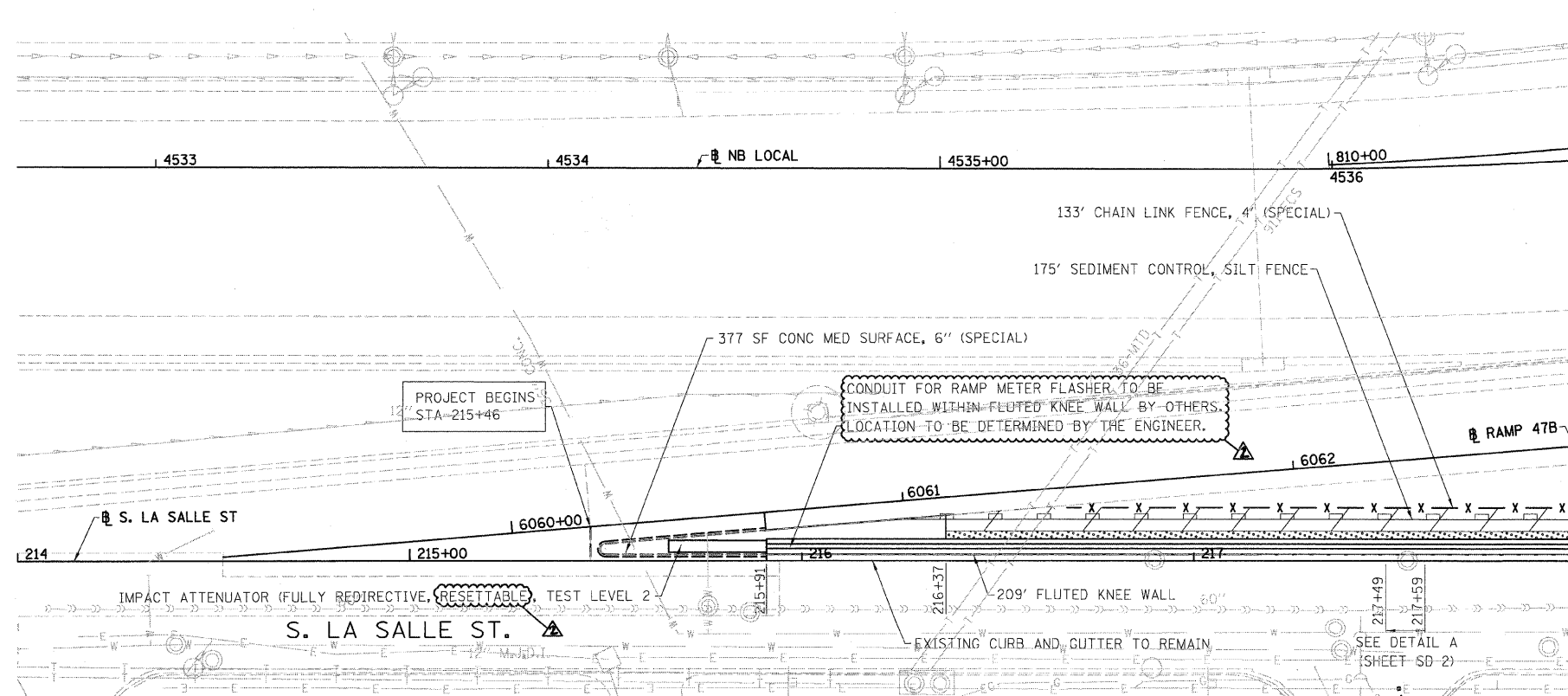
F.A.I.	SECTION	COUNTY	TOTAL SHEETS	SHEET NO.
94/90		COOK	25	10
STA.	TO STA.			
FED. ROAD DIST. NO.	ILLINOIS	FED. AID PROJECT		

62988



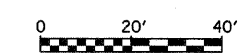
- LEGEND:
- PAVED SHOULDER REMOVAL
  - LINEAR REMOVALS

EXISTING CONDITIONS AND REMOVAL  
PROPOSED IMPROVEMENTS



- LEGEND:
- SEEDING, CLASS 2A  
EROSION CONTROL BLANKET
  - SEEDING, CLASS 4 (MODIFIED)  
SEEDING CLASS 5A (MODIFIED)  
EROSION CONTROL BLANKET
  - TOPSOIL FURNISH AND PLACE, 4"  
SEEDING, CLASS 2A  
EROSION CONTROL BLANKET
  - TOPSOIL FURNISH AND PLACE, 12"  
SEEDING, CLASS 4 (MODIFIED)  
SEEDING, CLASS 5A (MODIFIED)  
EROSION CONTROL BLANKET

- NOTES:
1. SEE STRUCTURAL DETAIL FOR FLUTED KNEE WALL DETAILS.
  2. ALL POINT CALLOUTS ARE TAKEN AT THE EDGE OF THE KNEE WALL BASE.



REVISIONS	
NAME	DATE
REVISED	7-16-08

ILLINOIS DEPARTMENT OF TRANSPORTATION  
F.A.I. 94/90 (DAN RYAN EXPRESSWAY)  
NORTHBOUND KNEE WALLS (47TH ST TO 45TH ST)

EXISTING AND PROPOSED  
KNEE WALL PLANS

SCALE: 1"=20'  
DATE: 04/25/08  
DRAWN BY: JDC  
CHECKED BY: DDM

BOWMAN, BARRETT & ASSOCIATES INC.  
CONSULTING ENGINEERS  
Chicago, Illinois  
312.228.0100  
www.bbainc.com

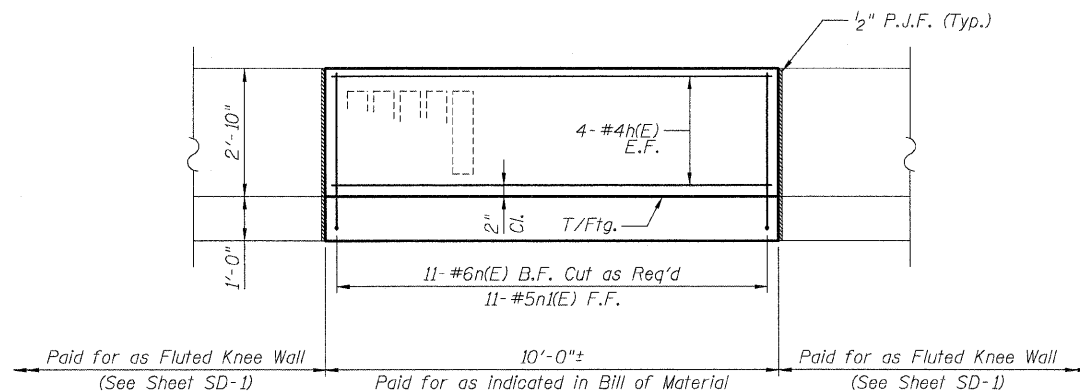
7/17/2008 4:31:43 PM

**DETAIL A REINFORCEMENT SCHEDULE AND BILL OF MATERIAL**

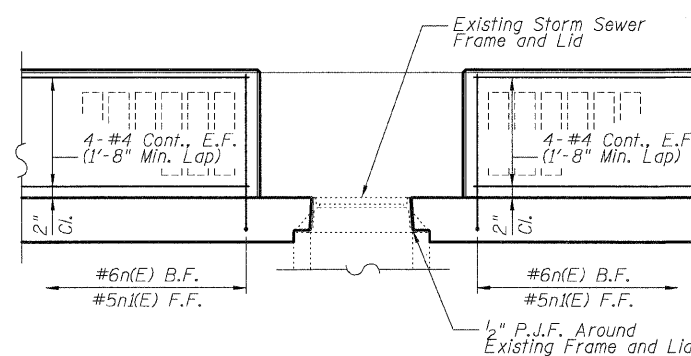
Bar	No.	Size	Length	Shape
n(E)	8	#4	9'-8"	—
n(E)	11	#6	5'-6"	L
n(E)	11	#5	5'-10"	L
w(E)	4	#4	9'-8"	—
Item	Unit	Qty.		
Concrete Structures	Cu. Yd.	1.4		
Concrete Superstructure	Cu. Yd.	1.4		
Reinforcement Bars, Epoxy Coated	Pound	240		
Rustication Finish	Sq. Ft.	19		
Protective Coat	Sq. Yd.	7		

**NOTES:**

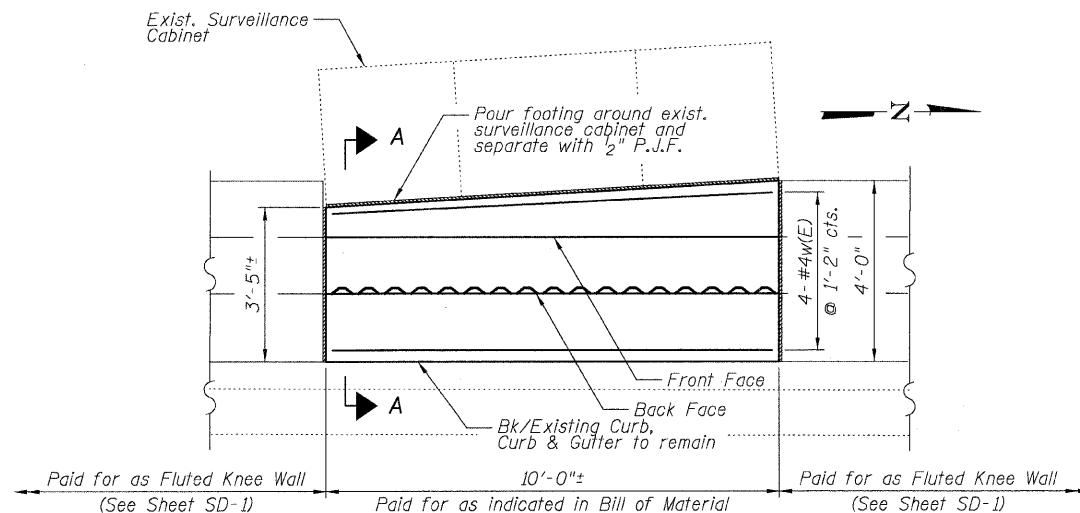
- All stations and offsets, measured from S. La Salle St.  $\perp$ .
- Back Face is face adjacent to Frontage Rd. and Front Face is face adjacent to Expressway.
- Concrete:  $f'c = 3500$  psi
- Provide California Finish on top of foundation between stem and Frontage Road. See Roadway Details.
- At locations where Fluted Knee Wall abuts a rigid Structure, a 2" thick Preformed Expansion Joint Filler conforming to the shape of the Structure shall be installed between the Fluted Knee Wall and the Structure.
- Apply Protective Coat to top and back face of stem and top of Frontage Road side of foundation.
- For Fluted Knee Wall standard details, see Sheet SD-1
- B.F. = Back Face (Frontage Road Side)  
F.F. = Front Face (Expressway Side)  
E.F. = Each Face
- Shape finished grade as required to match existing conditions.
- P.J.F. included in cost of concrete structures.



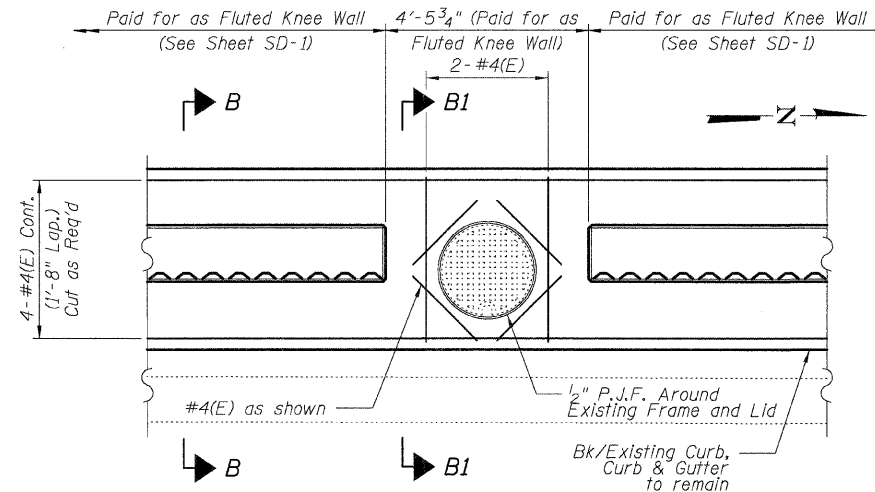
**DETAIL A - ELEVATION**



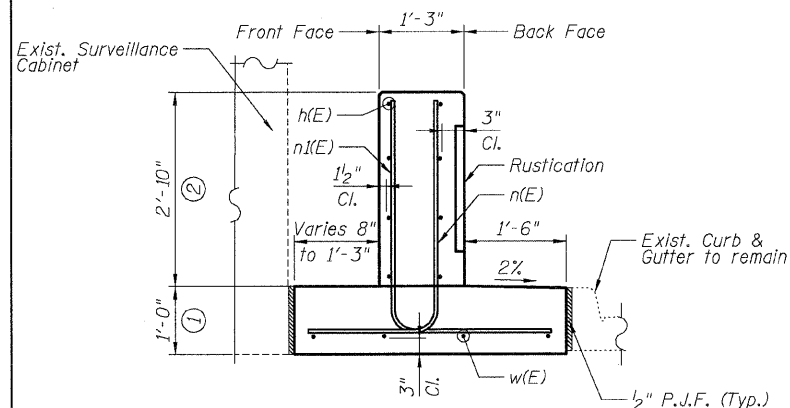
**DETAIL B - ELEVATION**



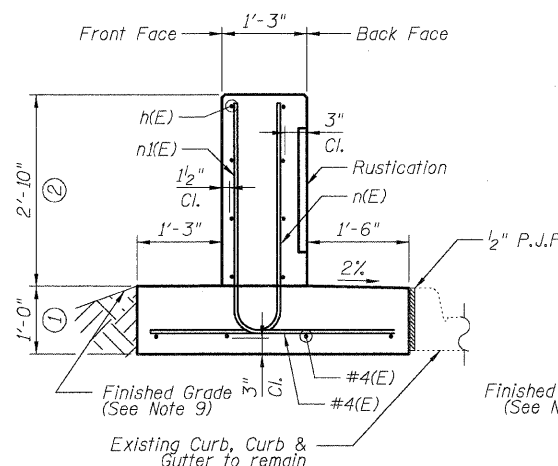
**DETAIL A - PLAN**



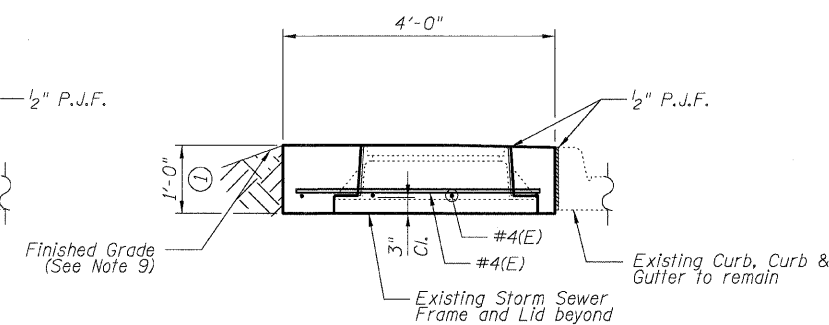
**DETAIL B - PLAN**



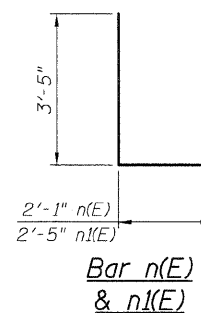
**SECTION A-A**



**SECTION B-B**



**SECTION B1-B1**



**Bar n(E) & n(E)**

BOWMAN, BARRETT & ASSOCIATES INC.  
CONSULTING ENGINEERS  
Chicago, Illinois  
312.228.0100  
www.bbandainc.com

REVISIONS	
NAME	DATE
ADDENDUM 1	7-16-08

SHEET SD-2  
ILLINOIS DEPARTMENT OF TRANSPORTATION  
F.A.I. 94/90 (DAN RYAN EXPRESSWAY)  
NORTHBOUND KNEE WALLS (47TH ST TO 45TH ST)  
DETAILS A & B  
SCALE: NTS  
DATE: 04/25/08  
DRAWN BY: TL  
CHECKED BY: BLU

14-660-0000-0011-31A-SHEETS 660-31A-SW-0021-01 7/16/2008