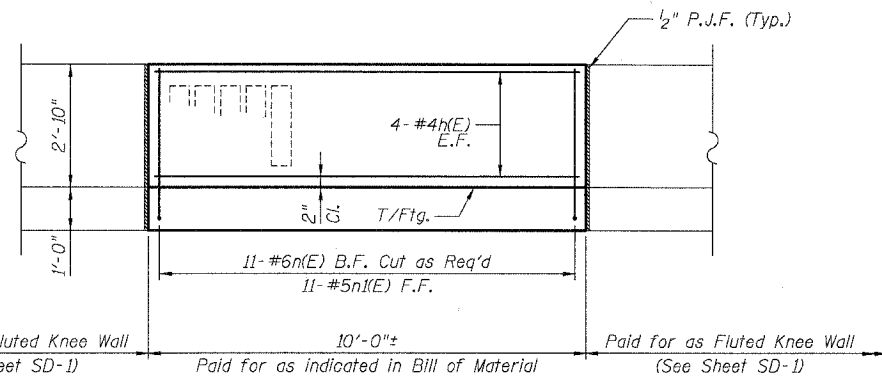


F.A.I.	SECTION	COUNTY	TOTAL SHEETS	SHEET NO.
94/90		COOK	25	14
STA.	TO STA.			
FED. ROAD DIST. NO.	ILLINOIS	FED. AID PROJECT		
62988				

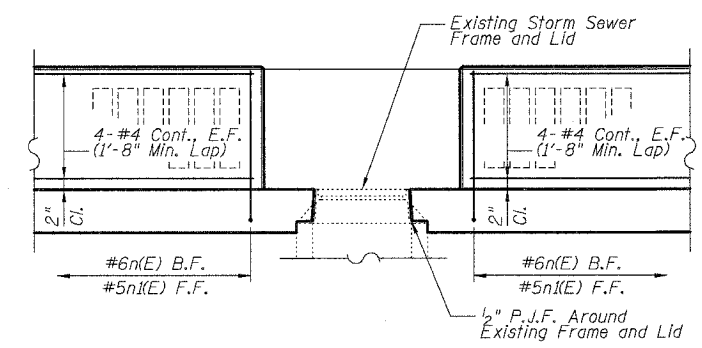
DETAIL A REINFORCEMENT SCHEDULE AND BILL OF MATERIAL

Bar	No.	Size	Length	Shape
n(E)	8	#4	9'-8"	
n(E)	11	#6	5'-6"	L
n(E)	11	#5	5'-10"	L
w(E)	4	#4	9'-8"	
<hr/>				
Item	Unit	Qty.		
Concrete Structures	Cu. Yd.	1.4		
Concrete Superstructure	Cu. Yd.	1.4		
Reinforcement Bars, Epoxy Coated	Pound	240		
Rustication Finish	Sq. Ft.	19		
Protective Coat	Sq. Yd.	7		

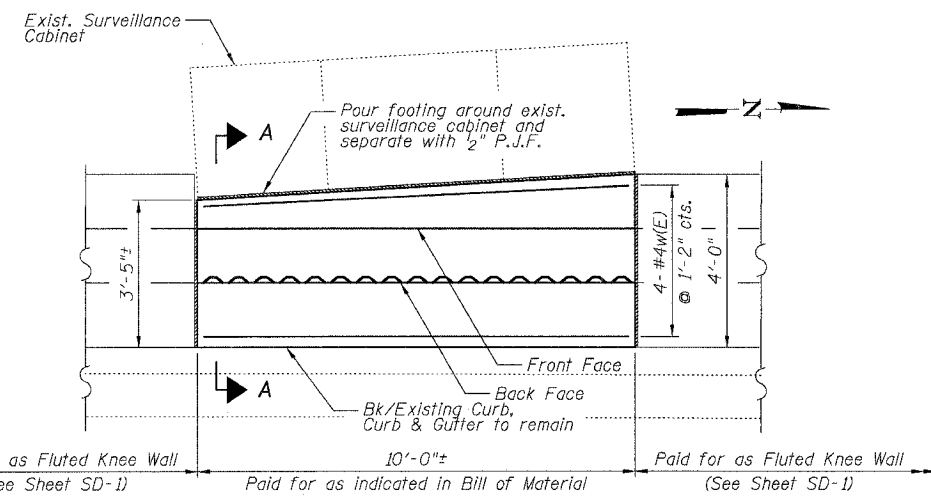
- NOTES:**
- All stations and offsets measured from S. La Salle St. @.
 - Back Face is face adjacent to Frontage Rd. and Front Face is face adjacent to Expressway.
 - Concrete: $f'c = 3500$ psi
 - Provide California Finish on top of foundation between stem and Frontage Road. See Roadway Details.
 - At locations where Fluted Knee Wall abuts a rigid structure, a 1/2" thick Preformed Expansion Joint Filler conforming to the shape of the structure shall be installed between the Fluted Knee Wall and the structure.
 - Apply Protective Coat to top and back face of stem and top of Frontage Road side of foundation.
 - For Fluted Knee Wall standard details, see Sheet SD-1
 - B.F. = Back Face (Frontage Road Side)
F.F. = Front Face (Expressway Side)
E.F. = Each Face
 - Shape finished grade as required to match existing conditions.
 - P.J.F. included in cost of concrete structures.



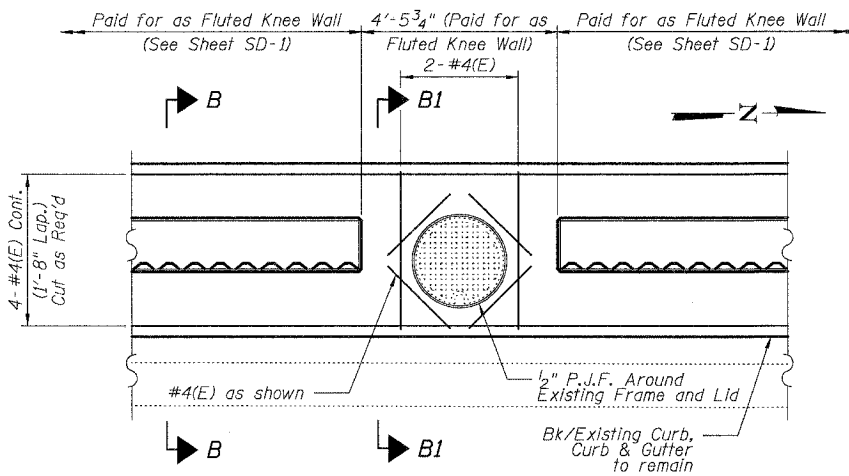
DETAIL A - ELEVATION



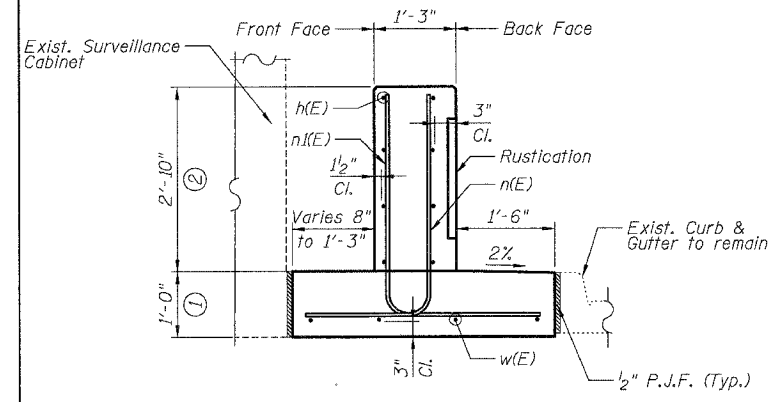
DETAIL B - ELEVATION



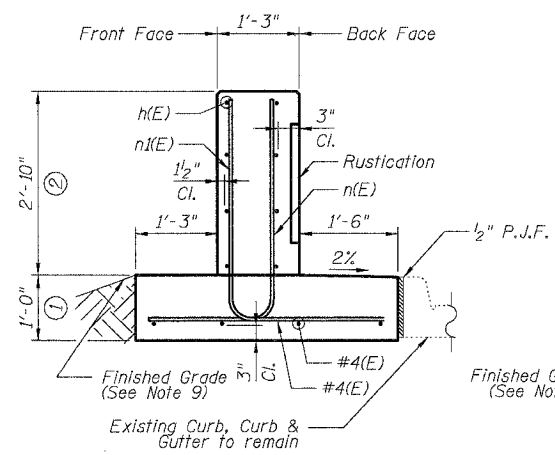
DETAIL A - PLAN



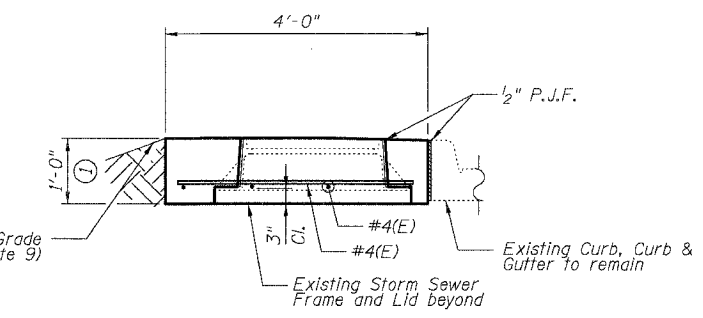
DETAIL B - PLAN



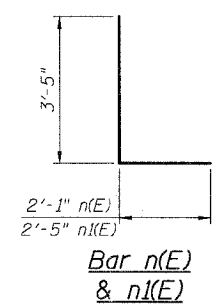
SECTION A-A



SECTION B-B



SECTION B1-B1



BOWMAN, BARRETT & ASSOCIATES INC.
CONSULTING ENGINEERS
Chicago, Illinois
312.228.0100
www.bbainc.com

REVISIONS	
NAME	DATE

SHEET SD-2
ILLINOIS DEPARTMENT OF TRANSPORTATION
F.A.I. 94/90 (DAN RYAN EXPRESSWAY)
NORTHBOUND KNEE WALLS (47TH ST TO 45TH ST)
DETAILS A & B
SCALE: NTS
DATE: 04/25/08
DRAWN BY: TL
CHECKED BY: BLU

4/24/2008 5:07:40 PM