

SUMMARY OF QUANTITIES

CODE NO.	ITEM	UNIT	QUANTITY	URBAN
				100% STATE JOOO
20200100	EARTH EXCAVATION	CU YD	324	324
21101615	TOPSOIL FURNISH AND PLACE, 4"	SQ YD	72	72
21101645	TOPSOIL FURNISH AND PLACE, 12"	SQ YD	277	277
25000210	SEEDING, CLASS 2A	ACRE	0.04	0.04
25000400	NITROGEN FERTILIZER NUTRIENT	POUND	16	16
25000500	PHOSPHORUS FERTILIZER NUTRIENT	POUND	16	16
25000600	POTASSIUM FERTILIZER NUTRIENT	POUND	16	16
25001800	SEEDING, CLASS 4 (MODIFIED)	ACRE	0.14	0.14
25100630	EROSION CONTROL BLANKET	SQ YD	858	858
44002300	CURB REMOVAL (PARTIAL)	FOOT	57	57
44004250	PAVED SHOULDER REMOVAL	SQ YD	399	399
50300225	CONCRETE STRUCTURES	CU YD	14.0	14.0
50300255	CONCRETE SUPERSTRUCTURE	CU YD	11.1	11.1
50300300	PROTECTIVE COAT	SQ YD	56	56
50300510	RUSTICATION FINISH	SQ FT	115	115
50800205	REINFORCEMENT BARS, EPOXY COATED	POUND	2,490	2,490
60618324	CONCRETE MEDIAN SURFACE, 6" (SPECIAL)	SQ FT	178	178
66400550	CHAIN LINK FENCE, 4' (SPECIAL)	FOOT	1,478	1,478
67100100	MOBILIZATION	L SUM	1	1
70101800	TRAFFIC CONTROL AND PROTECTION, (SPECIAL)	L SUM	1	1
70106800	CHANGEABLE MESSAGE SIGN	CAL MO	6	6
X0322256	TEMPORARY INFORMATION SIGNING	SQ FT	26	26
X0323973	SEDIMENT CONTROL, SILT FENCE	FOOT	1,557	1,557
X0323974	SEDIMENT CONTROL, SILT FENCE MAINTENANCE	FOOT	389	389
X0324640	FLUTED KNEE WALL	FOOT	1,392	1,392
X2500322	SEEDING, CLASS 5A, (MODIFIED)	ACRE	0.14	0.14
X6065740	CONCRETE MEDIAN SURFACE, 5" (MODIFIED)	SQ FT	361	361
Z0013798	CONSTRUCTION LAYOUT	L SUM	1	1
X0325891	IMPACT ATTENUATORS (FULLY REDIRECTIVE, RESETTABLE), TEST LEVEL 2	EACH	1	1
X20100210	TREE REMOVAL (OVER 15 INCHS DIAMETER)	UNIT	10	10

INDEX OF SHEETS

SHEET	DESCRIPTION
1	COVER SHEET
2	GENERAL NOTES AND PROJECT COMMITMENTS
3	SUMMARY OF QUANTITIES / INDEX / HIGHWAY STANDARDS
4	EXISTING AND PROPOSED TYPICAL SECTIONS
5-9	ALIGNMENT PLANS, SURVEY TIES AND CONTROL POINTS
10-14	EXISTING AND PROPOSED KNEE WALL PLANS
15-18	STRUCTURAL DETAILS
19	BD-51 DISTRICT 1, BENCHING DETAIL FOR EMBANKMENT WIDENING
20	TC-10 DISTRICT 1, TRAFFIC CONTROL AND PROTECTION FOR SIDE ROADS, INTERSECTIONS & DRIVEWAYS
21	TC-17 DISTRICT 1, TRAFFIC CONTROL DETAILS FOR FREEWAY SHOULDER CLOSURES PARTIAL RAMP CLOSURES
22	TC-18 DISTRICT 1, SIGNING FOR FLAGGING OPERATIONS AT WORK ZONE OPENINGS
23	TC-22 DISTRICT 1, ARTERIAL ROAD INFORMATION SIGN
24-32	CROSS SECTIONS

IDOT HIGHWAY STANDARDS

SHEET	DESCRIPTION
000001-05	STANDARD SYMBOLS, ABBREVIATIONS, AND PATTERNS
001001-01	AREAS OF REINFORCEMENT BARS
001006	DECIMAL OF AN INCH AND OF A FOOT
664001-01	CHAIN LINK FENCE
701601-05	URBAN LANE CLOSURE, MULTILANE, 1W OR 2W WITH NONTRAVERSABLE MEDIAN
701701-05	URBAN LANE CLOSURE, MULTILANE INTERSECTION
701801-03	LANE CLOSURE, MULTILANE, 1W OR 2W, CROSSWALK OR SIDEWALK CLOSURE, for speeds < 45 mph
701901	TRAFFIC CONTROL DEVICES
720001	SIGN PANEL MOUNTING DETAILS
720006-01	SIGN PANEL ERECTION DETAILS
728001	TELESCOPING STEEL SIGN SUPPORT
731001	BASE FOR TELESCOPING STEEL SIGN SUPPORT

BOWMAN, BARRETT & ASSOCIATES INC.
CONSULTING ENGINEERS
Chicago, Illinois
312.228.0100
www.bbandainc.com



Rev. 7-17-08
Rev. 7-15-08

REVISIONS	
NAME	DATE

ILLINOIS DEPARTMENT OF TRANSPORTATION
F.A.I. 94/90 (DAN RYAN EXPRESSWAY)
NORTHBOUND KNEE WALLS (ROOT ST TO PERSHING RD)

SUMMARY OF QUANTITIES

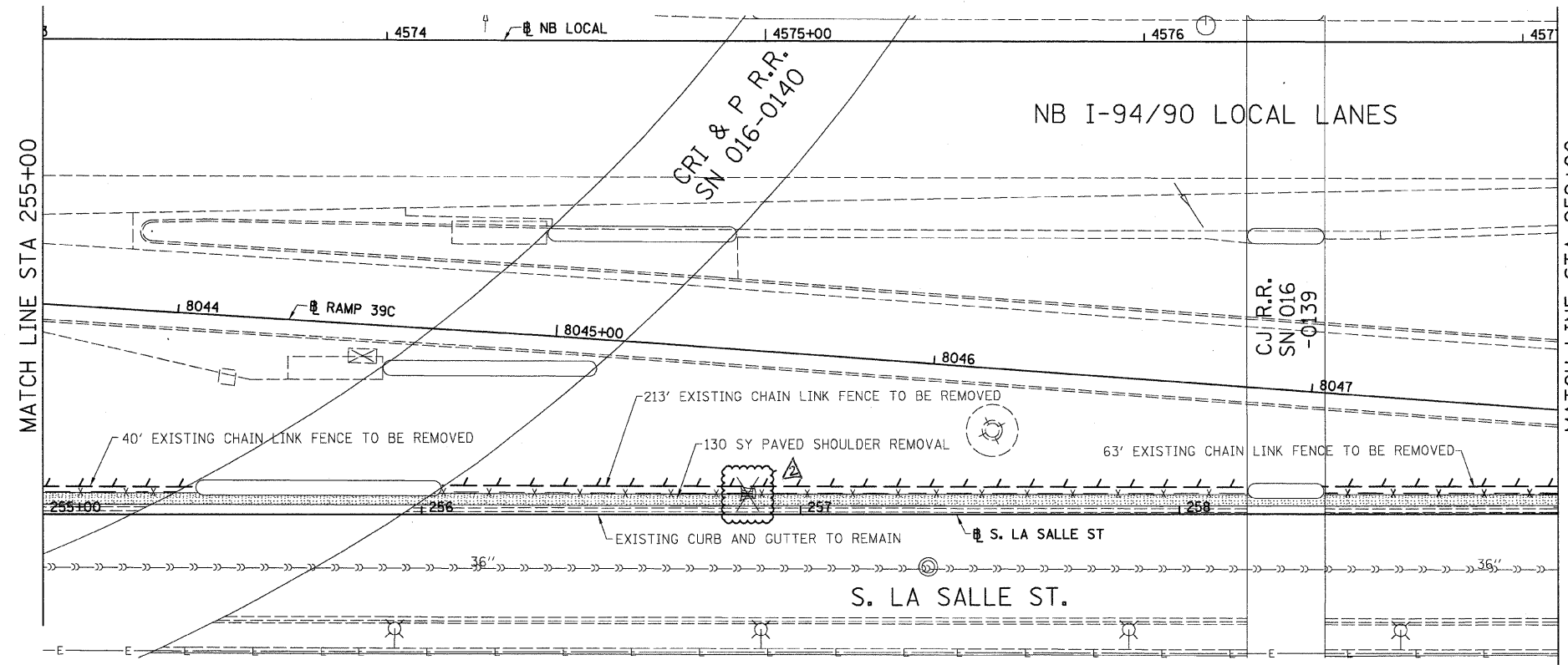
SCALE: NONE
DATE: 04/25/08
DRAWN BY: JDC
CHECKED BY:

S00-1


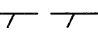
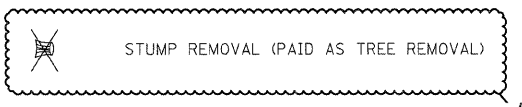
5:56:08 PM
4/24/2008

F.A.I.	SECTION	COUNTY	TOTAL SHEETS	SHEET NO.
94/90		COOK	32	12
STA.		TO STA.		
FED. ROAD DIST. NO.		ILLINOIS FED. AID PROJECT		

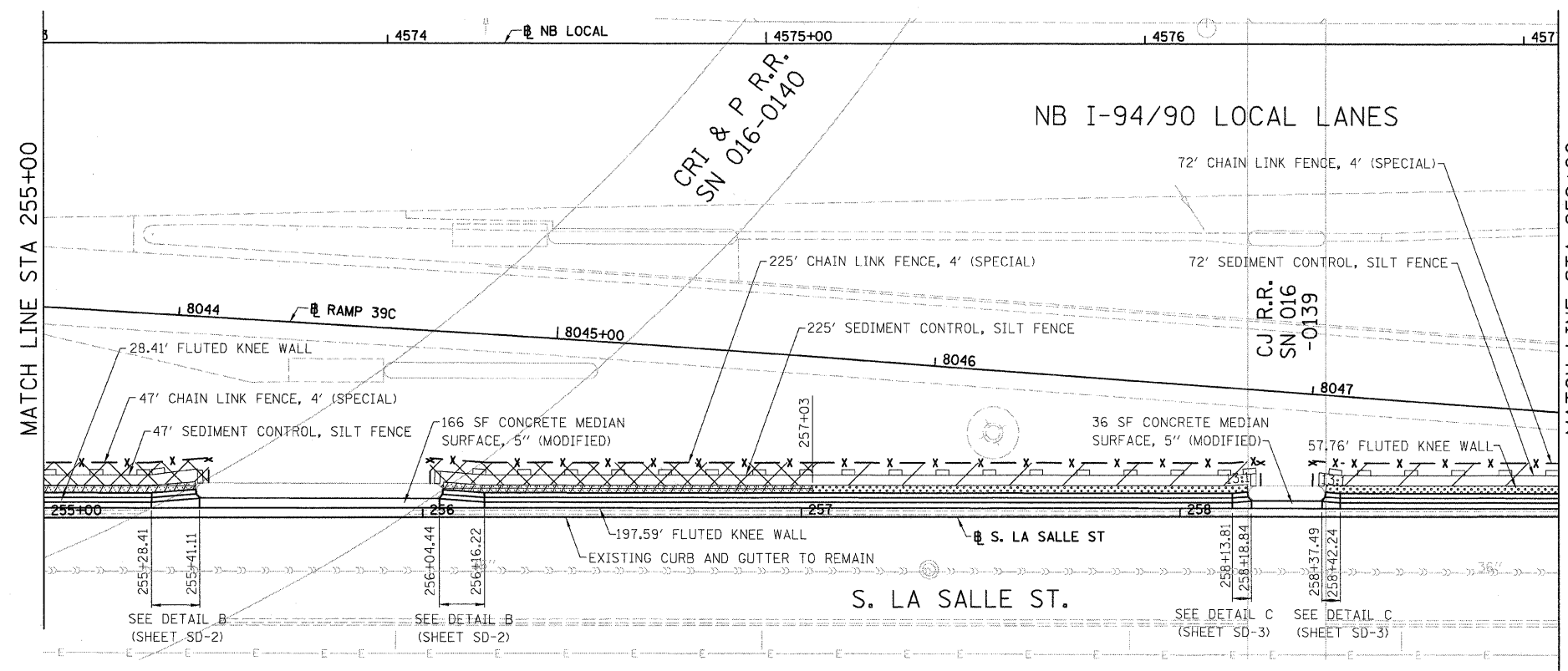
62991



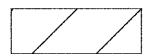
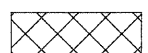


LEGEND:

-  PAVED SHOULDER REMOVAL
-  LINEAR REMOVALS
-  STUMP REMOVAL (PAID AS TREE REMOVAL)

EXISTING CONDITIONS AND REMOVAL
PROPOSED IMPROVEMENTS

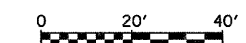


LEGEND:

-  SEEDING, CLASS 2A
EROSION CONTROL BLANKET
-  SEEDING, CLASS 4 (MODIFIED)
SEEDING CLASS 5A (MODIFIED)
EROSION CONTROL BLANKET
-  TOPSOIL FURNISH AND PLACE, 4"
SEEDING, CLASS 2A
EROSION CONTROL BLANKET
-  TOPSOIL FURNISH AND PLACE, 12"
SEEDING CLASS 4 (MODIFIED)
SEEDING, CLASS 5A (MODIFIED)
EROSION CONTROL BLANKET

NOTES:

1. SEE STRUCTURAL DETAIL FOR FLUTED KNEE WALL DETAILS.
2. ALL POINT CALLOUTS ARE TAKEN AT THE EDGE OF THE KNEE WALL BASE.



REVISIONS	
NAME	DATE
REVISED	7-16-08

ILLINOIS DEPARTMENT OF TRANSPORTATION
F.A.I. 94/90 (DAN RYAN EXPRESSWAY)
NORTHBOUND KNEE WALLS (ROOT ST TO PERSHING RD)

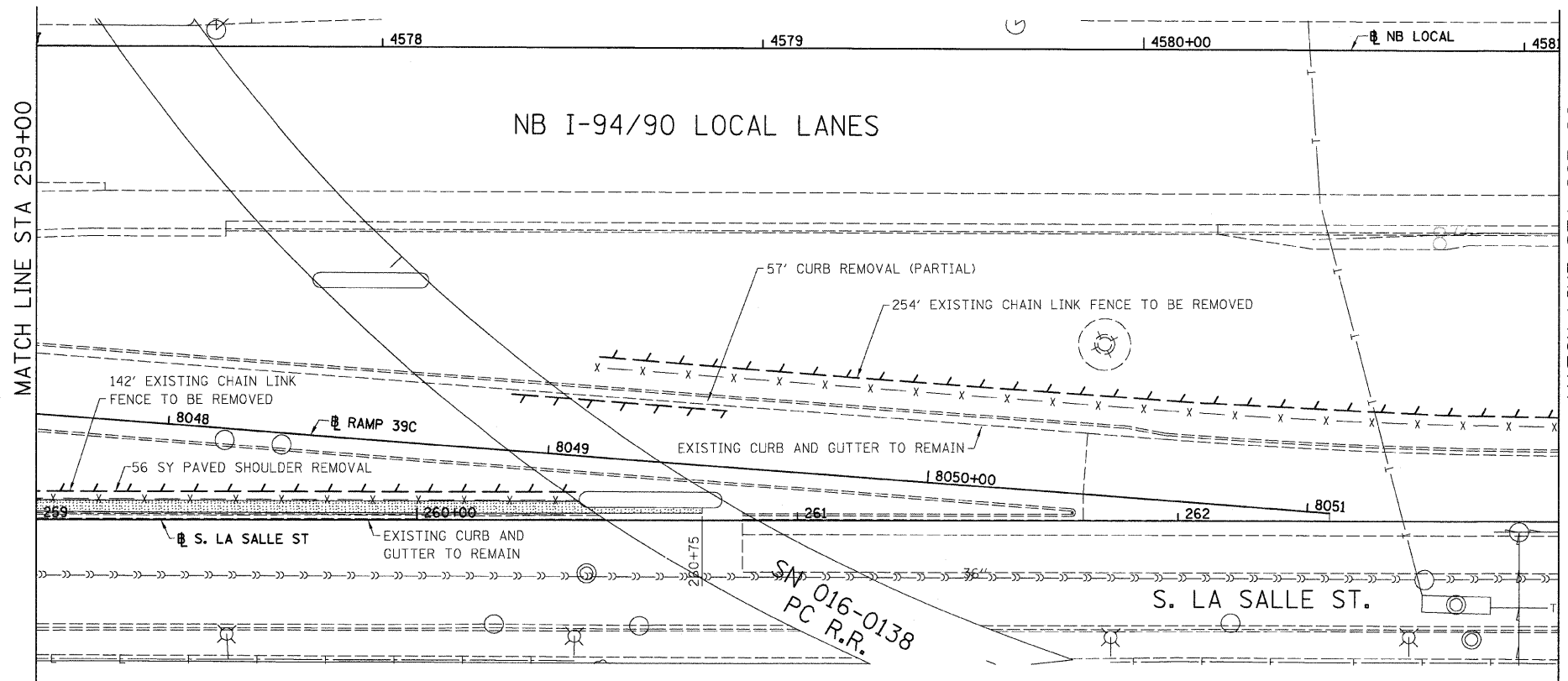
EXISTING AND PROPOSED
KNEE WALL PLANS

SCALE: 1"=20'
DATE: 04/25/08
DRAWN BY: JDC
CHECKED BY: DDM

BOWMAN, BARRETT & ASSOCIATES INC.
CONSULTING ENGINEERS
Chicago, Illinois
312.228.0100
www.bbainc.com

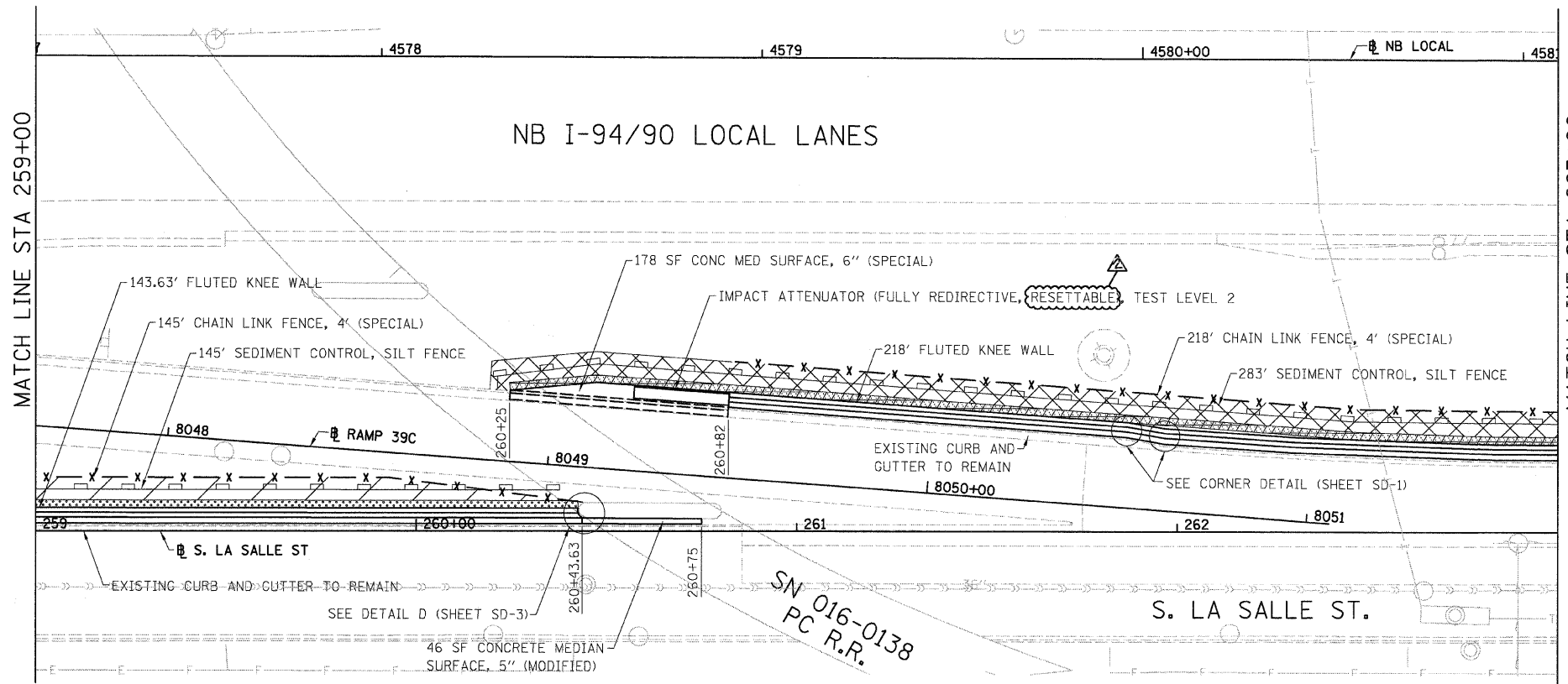
PL-3
7/17/2008 8:43 PM

F.A.I.	SECTION	COUNTY	TOTAL SHEETS	SHEET NO.
94/90		COOK	32	13
STA.	TO STA.			
FED. ROAD DIST. NO.	ILLINOIS	FED. AID PROJECT		
62991				



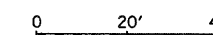
- LEGEND:
- PAVED SHOULDER REMOVAL
 - LINEAR REMOVALS

EXISTING CONDITIONS AND REMOVAL
PROPOSED IMPROVEMENTS



- LEGEND:
- SEEDING, CLASS 2A
EROSION CONTROL BLANKET
 - SEEDING, CLASS 4 (MODIFIED)
SEEDING CLASS 5A (MODIFIED)
EROSION CONTROL BLANKET
 - TOPSOIL FURNISH AND PLACE, 4"
SEEDING, CLASS 2A
EROSION CONTROL BLANKET
 - TOPSOIL FURNISH AND PLACE, 12"
SEEDING CLASS 4 (MODIFIED)
SEEDING, CLASS 5A (MODIFIED)
EROSION CONTROL BLANKET

- NOTES:
- SEE STRUCTURAL DETAIL FOR FLUTED KNEE WALL DETAILS.
 - ALL POINT CALLOUTS ARE TAKEN AT THE EDGE OF THE KNEE WALL BASE.



PL-4

REVISIONS	
NAME	DATE
REVISED	7-16-08

ILLINOIS DEPARTMENT OF TRANSPORTATION
F.A.I. 94/90 (DAN RYAN EXPRESSWAY)
NORTHBOUND KNEE WALLS (ROOT ST TO PERSHING RD)

EXISTING AND PROPOSED
KNEE WALL PLANS

SCALE: 1"=20'
DATE: 04/25/08
DRAWN BY: JDC
CHECKED BY: DDM

BOWMAN, BARRETT & ASSOCIATES INC
CONSULTING ENGINEERS
Chicago, Illinois
312.228.0100
www.bbandainc.com



4/16/24 PM 7/16/2008

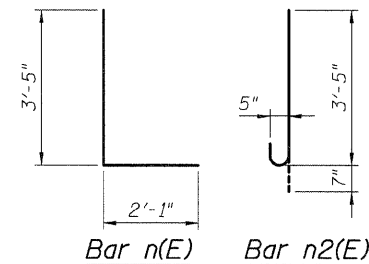
F.A.I.	SECTION	COUNTY	TOTAL SHEETS	SHEET NO.
94/90	*	COOK	32	18
STA.	TO STA.			
FED. ROAD DIST. NO.	ILLINOIS	FED. AID PROJECT		
62991				

DETAIL E REINFORCEMENT SCHEDULE AND BILL OF MATERIAL

Bar	No.	Size	Length	Shape
h(E)	8	#4	20'-9"	—
n(E)	22	#6	5'-6"	L
n2(E)	22	#5	4'-0"	C
k(E)	22	#6	3'-8"	—
t(E)	3	#4	4'-0"	—
w(E)	4	#4	20'-8"	—
Item	Unit	Qty.		
① Concrete Structures	Cu. Yd.	3.3		
② Concrete Superstructure	Cu. Yd.	2.8		
Reinforcement Bars, Epoxy Coated	Pound	570		
Protective Coat	Sq. Yd.	12		

NOTES:

- All stations and offsets measured from S. La Salle St. \perp .
- Back Face is face adjacent to Frontage Rd. and Front Face is face adjacent to Expressway.
- Concrete: $f'c = 3500$ psi
- Provide California Finish on top of foundation between stem and Frontage Road. See Roadway Details.
- At locations where Fluted Knee Wall abuts a rigid structure, a 5" thick Preformed Expansion Joint Filler conforming to the shape of the structure shall be installed between the Fluted Knee Wall and the structure.
- Apply Protective Coat to top and back face of stem and top of Frontage Road side of foundation.
- For Fluted Knee Wall standard details, see Sheet SD-1
- B.F. = Back Face (Frontage Road Side)
F.F. = Front Face (Expressway Side)
E.F. = Each Face
- Shape finished grade as required to match existing conditions.
- P.J.F. included in cost of concrete structures.



SHEET SD-4

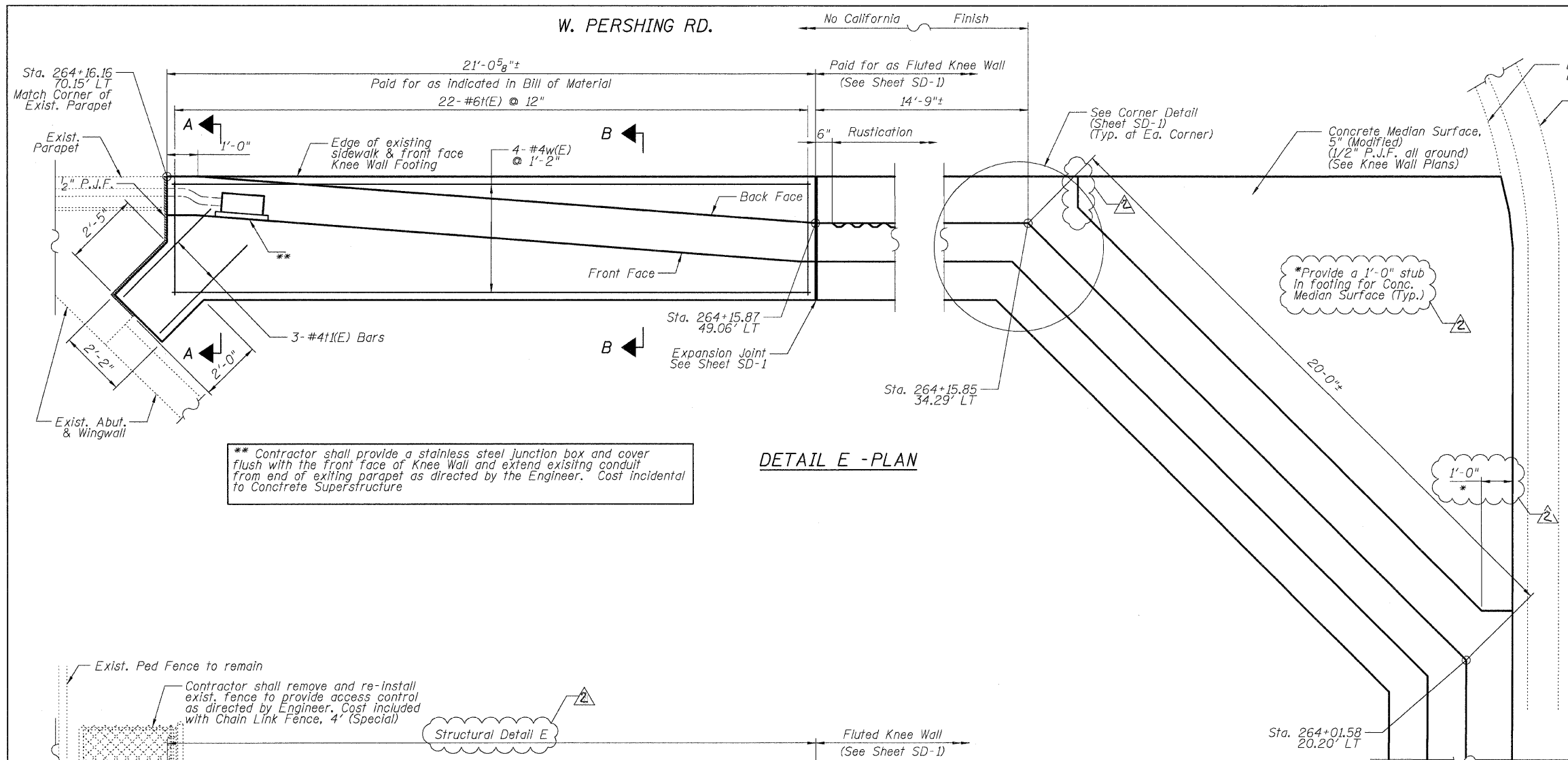
ILLINOIS DEPARTMENT OF TRANSPORTATION
F.A.I. 94/90 (DAN RYAN EXPRESSWAY)
NORTHBOUND KNEE WALLS (ROOT ST TO PERSHING RD)

DETAIL E

SCALE: NTS
DATE: 04/25/08

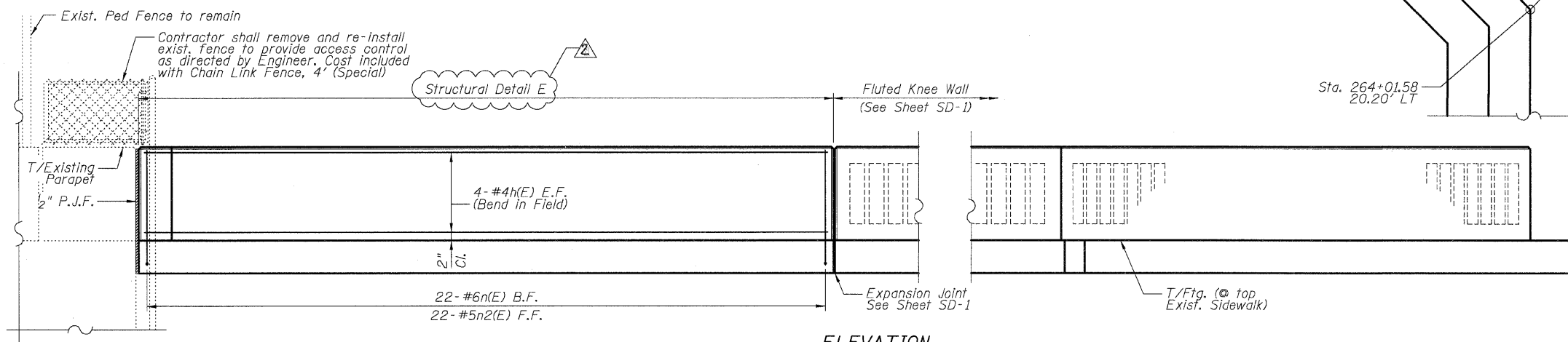
DRAWN BY: TL
CHECKED BY: BLU

REVISIONS	
NAME	DATE
ADDENDUM 1	7-16-08

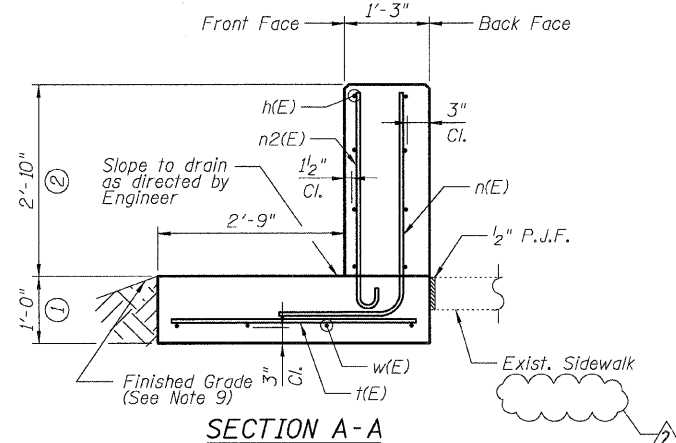


DETAIL E - PLAN

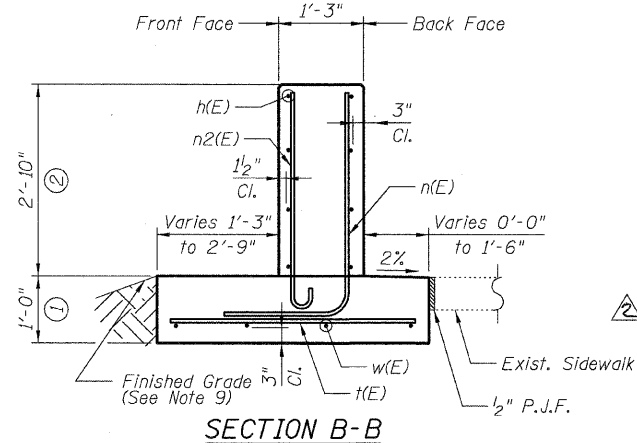
** Contractor shall provide a stainless steel junction box and cover flush with the front face of Knee Wall and extend existing conduit from end of exiting parapet as directed by the Engineer. Cost incidental to Concrete Superstructure



ELEVATION



SECTION A-A



SECTION B-B

BOWMAN, BARRETT & ASSOCIATES INC.
CONSULTING ENGINEERS
Chicago, Illinois
312.228.0100
www.bbainc.com

5:56:36 PM 7/16/2008