

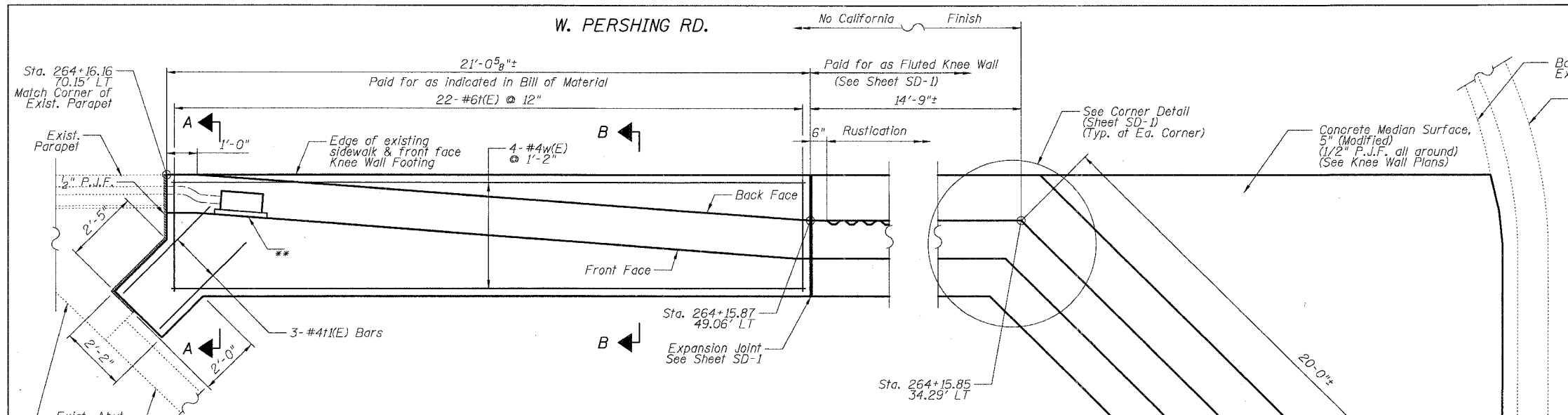
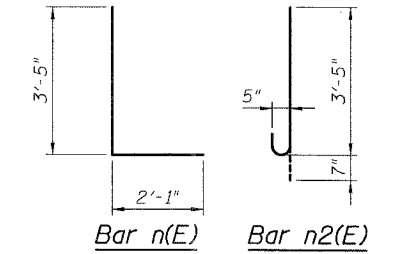
F.A.I.	SECTION	COUNTY	TOTAL SHEETS	SHEET NO.
94/90	*	COOK	32	18
STA.	TO STA.			
FED. ROAD DIST. NO.	ILLINOIS	FED. AID PROJECT	62991	

DETAIL E REINFORCEMENT SCHEDULE AND BILL OF MATERIAL

Bar	No.	Size	Length	Shape
n(E)	8	#4	20'-9"	—
n(E)	22	#6	5'-6"	L
n2(E)	22	#5	4'-0"	—
k(E)	22	#6	3'-8"	—
l(E)	3	#4	4'-0"	—
w(E)	4	#4	20'-8"	—
Item	Unit	Qty.		
① Concrete Structures	Cu. Yd.	3.3		
② Concrete Superstructure	Cu. Yd.	2.8		
Reinforcement Bars, Epoxy Coated	Pound	570		
Protective Coat	Sq. Yd.	12		

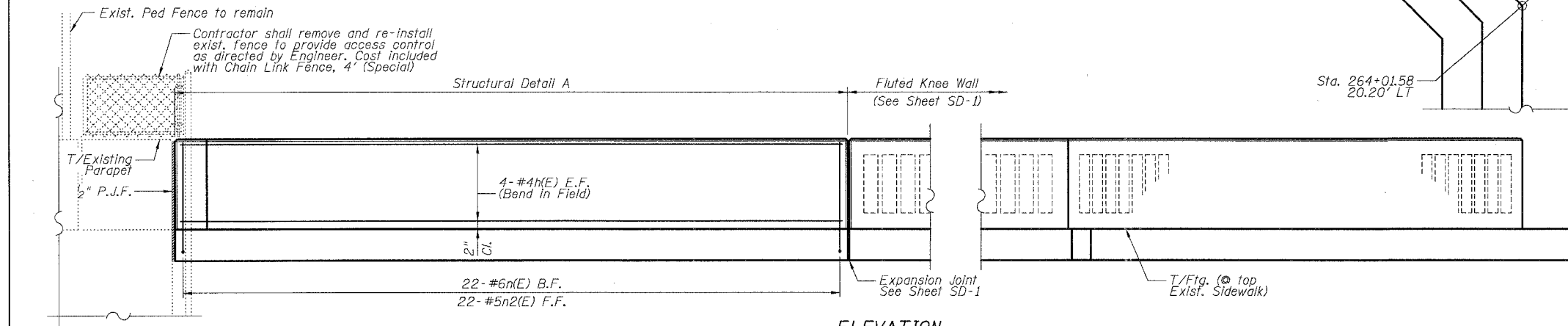
NOTES:

- All stations and offsets measured from S. La Salle St. \square .
- Back Face is face adjacent to Frontage Rd. and Front Face is face adjacent to Expressway.
- Concrete: $f'c = 3500$ psi
- Provide California Finish on top of foundation between stem and Frontage Road. See Roadway Details.
- At locations where Fluted Knee Wall abuts a rigid structure, a 2" thick Formed Expansion Joint Filler conforming to the shape of the structure shall be installed between the Fluted Knee Wall and the structure.
- Apply Protective Coat to top and back face of stem and top of Frontage Road side of foundation.
- For Fluted Knee Wall standard details, see Sheet SD-1
- B.F. = Back Face (Frontage Road Side)
F.F. = Front Face (Expressway Side)
E.F. = Each Face
- Shape finished grade as required to match existing conditions.
- P.J.F. included in cost of concrete structures.

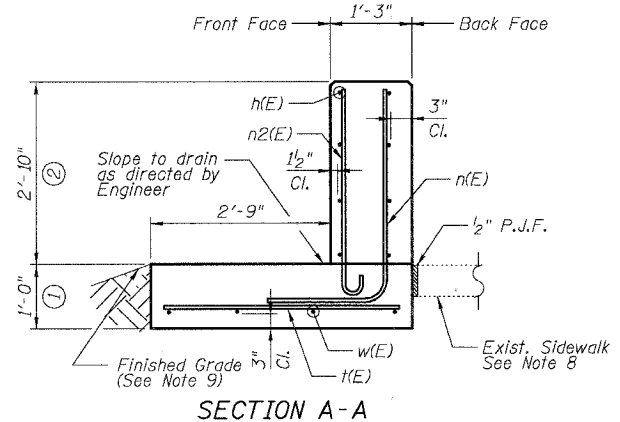


DETAIL E - PLAN

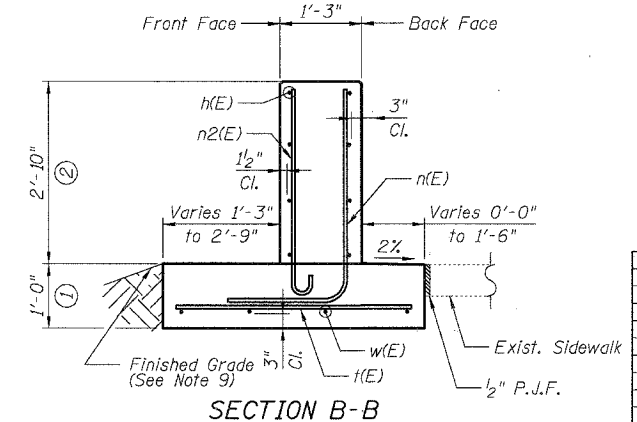
** Contractor shall provide a stainless steel junction box and cover flush with the Front Face of Knee Wall and extend existing conduit from end of exiting parapet as directed by the Engineer. Cost incidental to Concrete Superstructure



ELEVATION



SECTION A-A



SECTION B-B

REVISIONS	
NAME	DATE

SHEET SD-4

ILLINOIS DEPARTMENT OF TRANSPORTATION
F.A.I. 94/90 (DAN RYAN EXPRESSWAY)
 NORTHBOUND KNEE WALLS (ROOT ST TO PERSHING RD)

DETAIL E

SCALE: NTS
 DATE: 04/25/08

DRAWN BY: TL
 CHECKED BY: BLU

BOWMAN, BARRETT & ASSOCIATES INC.
 CONSULTING ENGINEERS
 Chicago, Illinois
 312.228.0100
 www.bbandainc.com

4/24/2008 4:34:07 PM