

F.A.I.	SECTION	COUNTY	TOTAL SHEETS	SHEET NO.
94/90		COOK	25	3
STA.		TO STA.		
FED. ROAD DIST. NO.	ILLINOIS	FED. AID PROJECT		

62996

SUMMARY OF QUANTITIES

URBAN

CODE NO.	ITEM	UNIT	QUANTITY	100% STATE
				JO00
20200100	EARTH EXCAVATION	CU YD	113	113
21101615	TOPSOIL FURNISH AND PLACE, 4"	SQ YD	5	5
21101645	TOPSOIL FURNISH AND PLACE, 12"	SQ YD	120	120
25000210	SEEDING, CLASS 2A	ACRE	0.003	0.003
25000400	NITROGEN FERTILIZER NUTRIENT	POUND	6	6
25000500	PHOSPHORUS FERTILIZER NUTRIENT	POUND	6	6
25000600	POTASSIUM FERTILIZER NUTRIENT	POUND	6	6
25001800	SEEDING, CLASS 4 (MODIFIED)	ACRE	0.06	0.06
25100630	EROSION CONTROL BLANKET	SQ YD	315	315
44002300	CURB REMOVAL (PARTIAL)	FOOT	59	59
44004250	PAVED SHOULDER REMOVAL	SQ YD	87	87
50300225	CONCRETE STRUCTURES	CU YD	5.5	5.5
50300255	CONCRETE SUPERSTRUCTURE	CU YD	5.1	5.1
50300300	PROTECTIVE COAT	SQ YD	23	23
50300510	RUSTICATION FINISH	SQ FT	44	44
50800205	REINFORCEMENT BARS, EPOXY COATED	POUND	1,050	1,050
60618324	CONCRETE MEDIAN SURFACE, 6" (SPECIAL)	SQ FT	187	187
66400550	CHAIN LINK FENCE, 4' (SPECIAL)	FOOT	494	494
67100100	MOBILIZATION	L SUM	1	1
70101800	TRAFFIC CONTROL AND PROTECTION, (SPECIAL)	L SUM	1	1
70106800	CHANGEABLE MESSAGE SIGN	CAL MO	6	6
X0322256	TEMPORARY INFORMATION SIGNING	SQ FT	26	26
X0323973	SEDIMENT CONTROL, SILT FENCE	FOOT	560	560
X0323974	SEDIMENT CONTROL, SILT FENCE MAINTENANCE	FOOT	140	140
X0324640	FLUTED KNEE WALL	FOOT	443	443
X2500322	SEEDING, CLASS 5A, (MODIFIED)	ACRE	0.06	0.06
X6065740	CONCRETE MEDIAN SURFACE, 5" (MODIFIED)	SQ FT	13	13
Z0013798	CONSTRUCTION LAYOUT	L SUM	1	1
X0325891	IMPACT ATTENUATORS (FULLY REDIRECTIVE, ^{RESETTABLE}), TEST LEVEL 2	EACH	1	1
X2010010	TREE REMOVAL (6 TO 15 UNITS DIAMETER)	UNIT	15	15

INDEX OF SHEETS

SHEET	DESCRIPTION
1	COVER SHEET
2	GENERAL NOTES AND PROJECT COMMITMENTS
3	SUMMARY OF QUANTITIES / INDEX / HIGHWAY STANDARDS
4	EXISTING AND PROPOSED TYPICAL SECTIONS
5-9	ALIGNMENT PLANS, SURVEY TIES AND CONTROL POINTS
10-12	EXISTING AND PROPOSED KNEE WALL PLANS
13-15	STRUCTURAL DETAILS
16	BD-51 DISTRICT 1, BENCHING DETAIL FOR EMBANKMENT WIDENING
17	TC-10 DISTRICT 1, TRAFFIC CONTROL AND PROTECTION FOR SIDE ROADS, INTERSECTIONS & DRIVEWAYS
18	TC-17 DISTRICT 1, TRAFFIC CONTROL DETAILS FOR FREEWAY SHOULDER CLOSURES PARTIAL RAMP CLOSURES
19	TC-18 DISTRICT 1, SIGNING FOR FLAGGING OPERATIONS AT WORK ZONE OPENINGS
20	TC-22 DISTRICT 1, ARTERIAL ROAD INFORMATION SIGN
21-25	CROSS SECTIONS

IDOT HIGHWAY STANDARDS

SHEET	DESCRIPTION
000001-05	STANDARD SYMBOLS, ABBREVIATIONS, AND PATTERNS
001001-01	AREAS OF REINFORCEMENT-BARS
001006	DECIMAL OF AN INCH AND OF A FOOT
664001-01	CHAIN LINK FENCE
701601-05	URBAN LANE CLOSURE, MULTILANE, 1W OR 2W WITH NONTRAVERSABLE MEDIAN
701701-05	URBAN LANE CLOSURE, MULTILANE INTERSECTION
701801-03	LANE CLOSURE, MULTILANE, 1W OR 2W, CROSSWALK OR SIDEWALK CLOSURE, for speeds < 45 mph
701901	TRAFFIC CONTROL DEVICES
720001	SIGN PANEL MOUNTING DETAILS
720006-01	SIGN PANEL ERECTION DETAILS
728001	TELESCOPING STEEL SIGN SUPPORT
731001	BASE FOR TELESCOPING STEEL SIGN SUPPORT

BOWMAN, BARRETT & ASSOCIATES INC
CONSULTING ENGINEERS
Chicago, Illinois
312.228.0100
www.bbainc.com



Rev. 7-10-08
Rev. 7-15-08

REVISIONS	
NAME	DATE

ILLINOIS DEPARTMENT OF TRANSPORTATION
F.A.I. 94/90 (DAN RYAN EXPRESSWAY)
SOUTHBOUND KNEE WALLS (43RD ST TO ROOT ST)

SUMMARY OF QUANTITIES

SCALE: NONE
DATE: 04/25/08

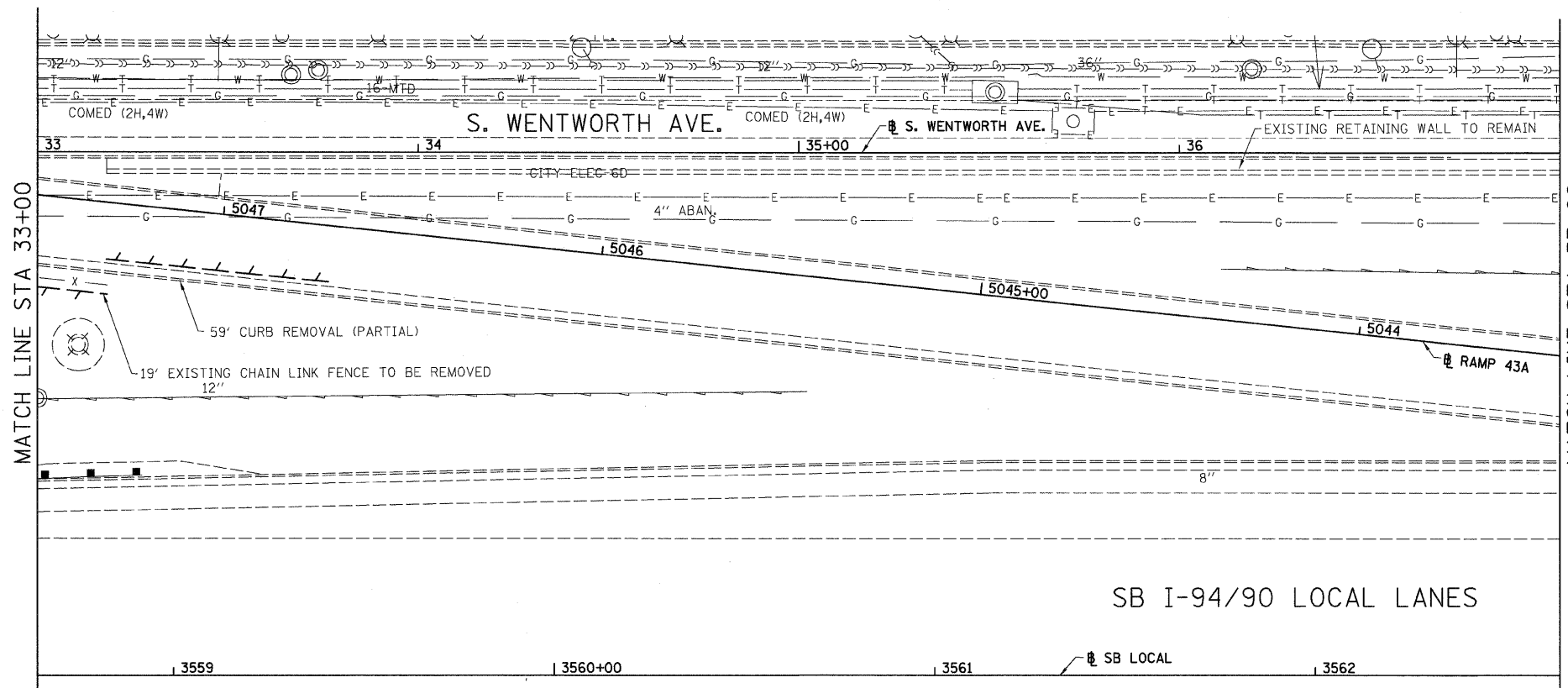
DRAWN BY: JDC
CHECKED BY:

S00-1

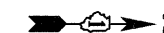
6/24/2008 6:53:48 PM

F.A.I.	SECTION	COUNTY	TOTAL SHEETS	SHEET NO.
94/90		COOK	25	11
STA.		TO STA.		
FED. ROAD DIST. NO.	ILLINOIS	FED. AID PROJECT		

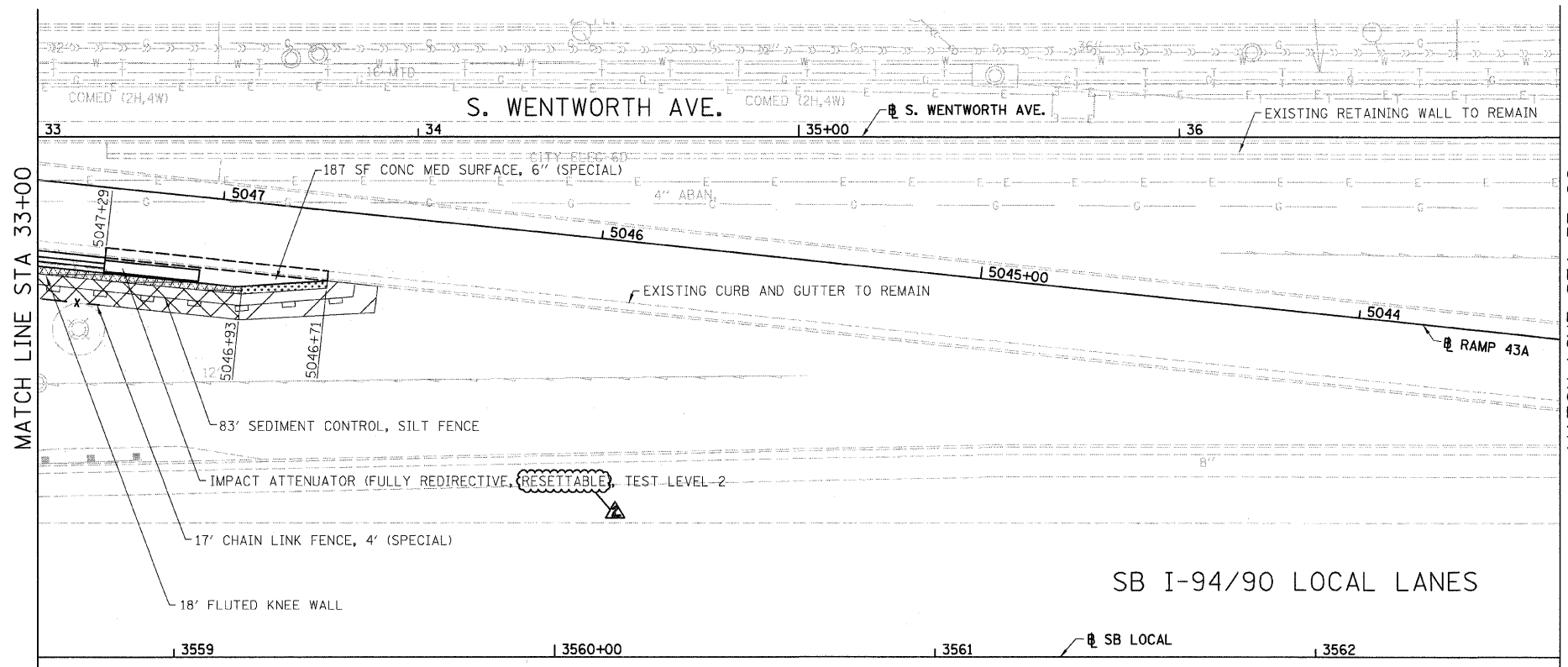
62996



- LEGEND:
- PAVED SHOULDER REMOVAL
 - LINEAR REMOVALS

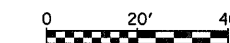


EXISTING CONDITIONS AND REMOVAL
PROPOSED IMPROVEMENTS



- LEGEND:
- SEEDING, CLASS 2A
EROSION CONTROL BLANKET
 - SEEDING, CLASS 4 (MODIFIED)
SEEDING CLASS 5A (MODIFIED)
EROSION CONTROL BLANKET
 - TOPSOIL FURNISH AND PLACE, 4"
SEEDING, CLASS 2A
EROSION CONTROL BLANKET
 - TOPSOIL FURNISH AND PLACE, 12"
SEEDING CLASS 4 (MODIFIED)
SEEDING, CLASS 5A (MODIFIED)
EROSION CONTROL BLANKET

- NOTES:
1. SEE STRUCTURAL DETAIL FOR FLUTED KNEE WALL DETAILS.
 2. ALL POINT CALLOUTS ARE TAKEN AT THE EDGE OF THE KNEE WALL BASE.



REVISIONS	
NAME	DATE
REVISED	7-16-08

ILLINOIS DEPARTMENT OF TRANSPORTATION
F.A.I. 94/90 (DAN RYAN EXPRESSWAY)
SOUTHBOUND KNEE WALLS (43RD ST TO ROOT ST)

EXISTING AND PROPOSED
KNEE WALL PLANS

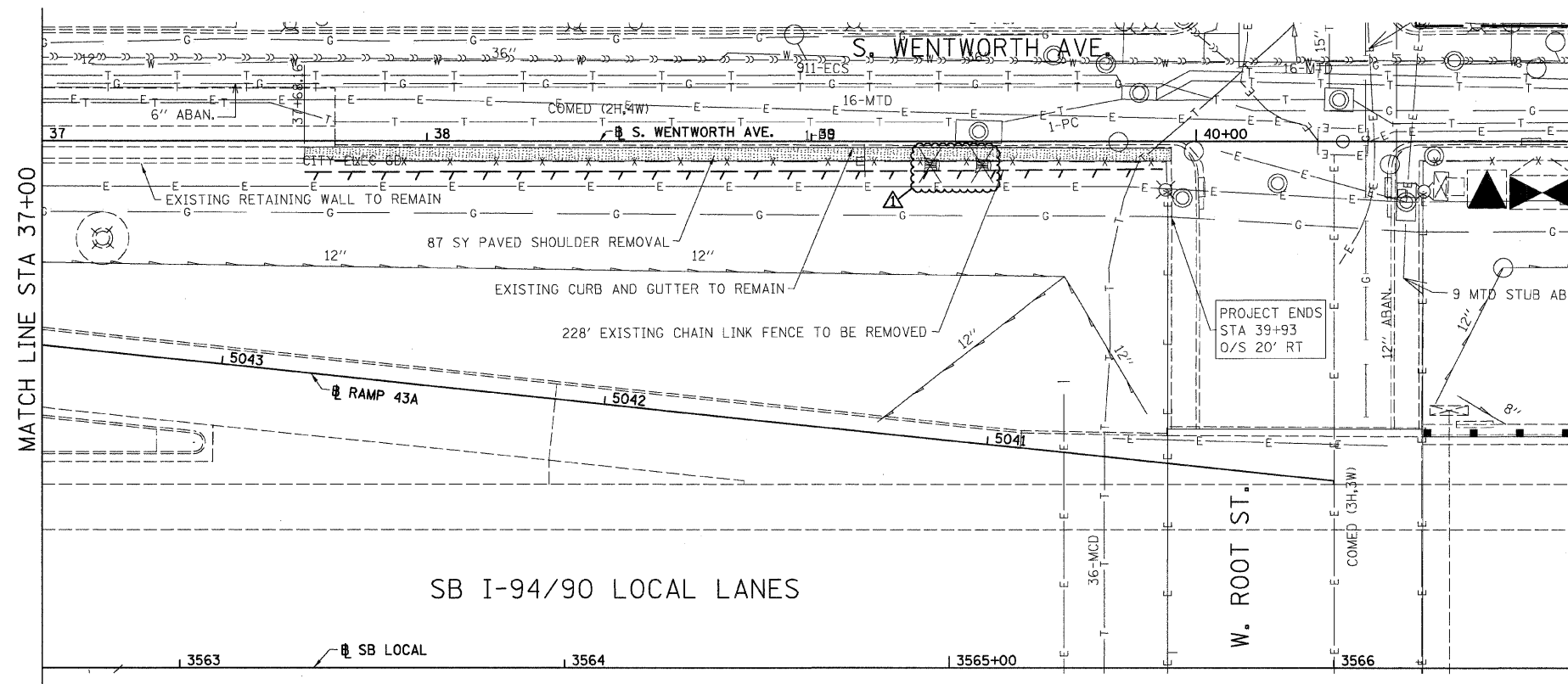
SCALE: 1"=20'
DATE: 04/25/08
DRAWN BY: JDC
CHECKED BY: DDM

BOWMAN, BARRETT & ASSOCIATES INC
CONSULTING ENGINEERS
Chicago, Illinois
312.228.0100
www.bbainc.com

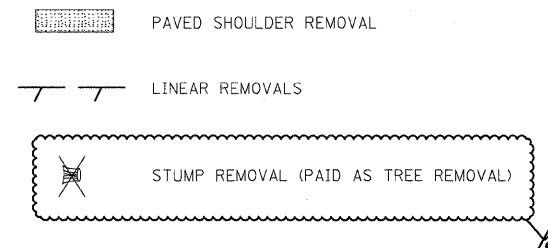


7/16/2008 4:27:32 PM

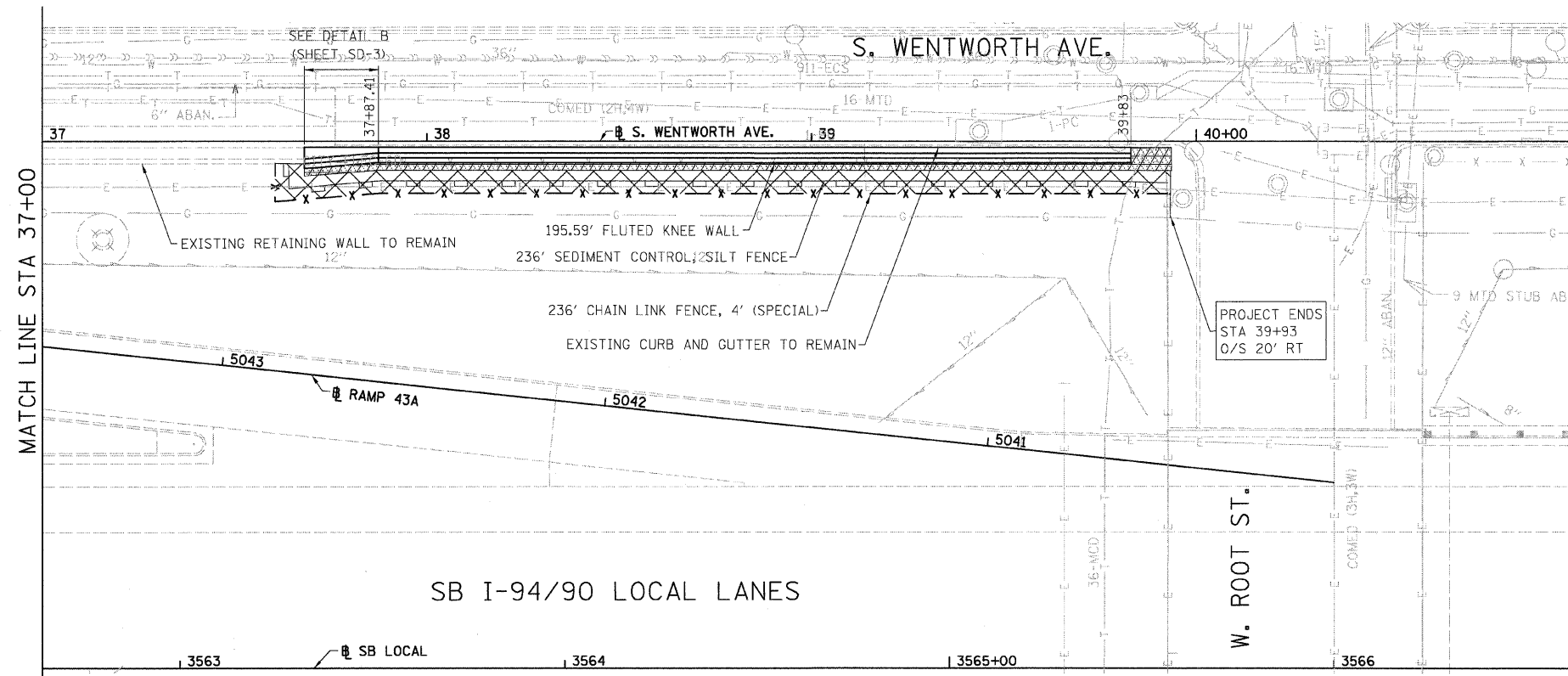
F.A.I.	SECTION	COUNTY	TOTAL SHEETS	SHEET NO.
94/90		COOK	25	12
STA.	TO STA.			
FED. ROAD DIST. NO.	ILLINOIS	FED. AID PROJECT		
62996				



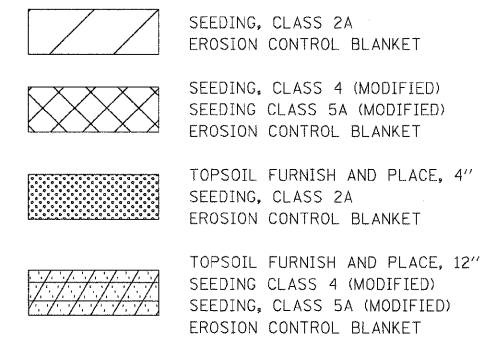
LEGEND:



EXISTING CONDITIONS AND REMOVAL
PROPOSED IMPROVEMENTS

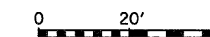


LEGEND:



NOTES:

- SEE STRUCTURAL DETAIL FOR FLUTED KNEE WALL DETAILS.
- ALL POINT CALLOUTS ARE TAKEN AT THE EDGE OF THE KNEE WALL BASE.



REVISIONS	
NAME	DATE
REVISOR	7-16-08

ILLINOIS DEPARTMENT OF TRANSPORTATION
F.A.I. 94/90 (DAN RYAN EXPRESSWAY)
SOUTHBOUND KNEE WALLS (43RD ST TO ROOT ST)

EXISTING AND PROPOSED
KNEE WALL PLANS

SCALE: 1"=20'
DATE: 04/25/08

DRAWN BY: JDC
CHECKED BY: DDM

BOWMAN, BARRETT & ASSOCIATES INC.
 CONSULTING ENGINEERS
 Chicago, Illinois
 312.228.0100
 www.bbainc.com



PROJECT NO. 94/90 (DAN RYAN EXPRESSWAY) SHEET NO. 12 OF 25

3.09.06 PM 7/17/2008

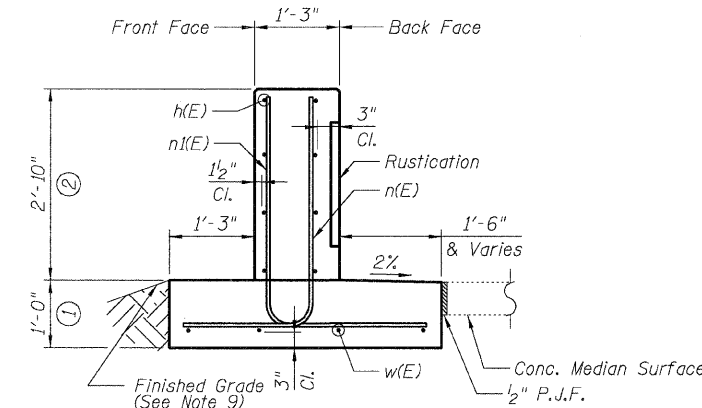
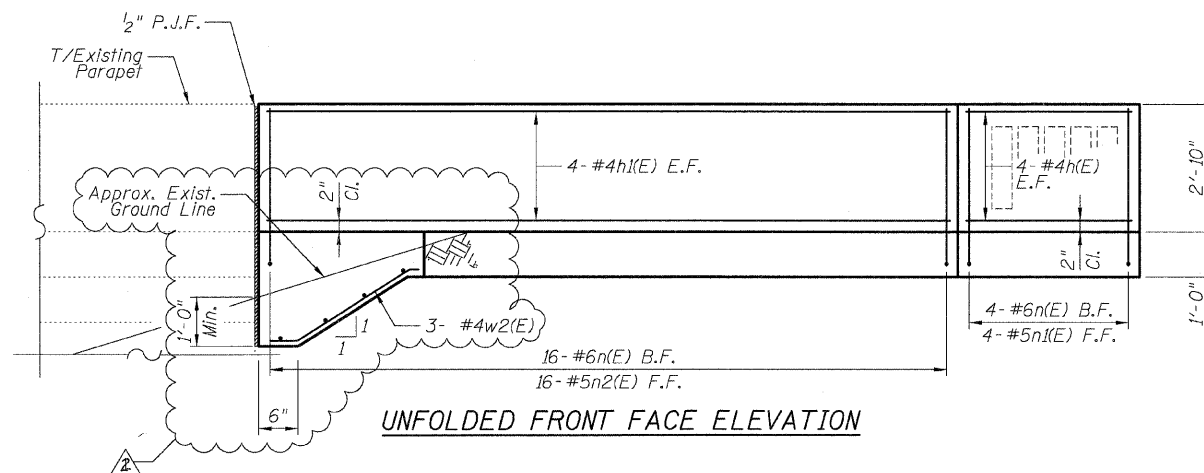
F.A.I.	SECTION	COUNTY	TOTAL SHEETS	SHEET NO.
94/90	*	COOK	25	14
STA.		TO STA.		
FED. ROAD DIST. NO.	ILLINOIS	FED. AID PROJECT		
62996				

DETAIL A REINFORCEMENT SCHEDULE AND BILL OF MATERIAL

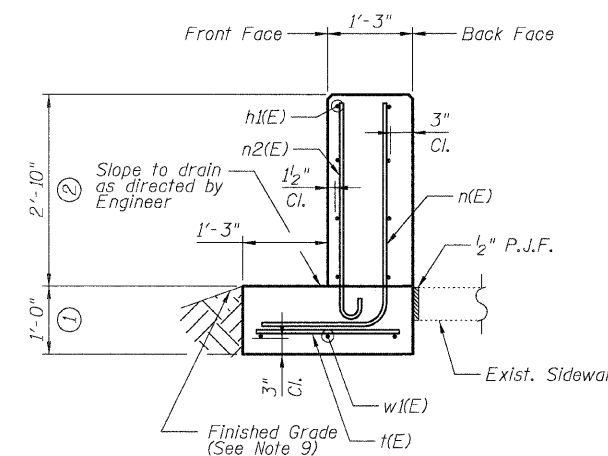
Bar	No.	Size	Length	Shape
h(E)	8	#4	3'-6"	—
h1(E)	8	#4	15'-1"	—
h2(E)	2	#4	4'-0"	—
n(E)	20	#6	5'-6"	L
n1(E)	4	#5	5'-10"	L
n2(E)	16	#5	4'-0"	C
r(E)	15	#6	2'-2"	—
w(E)	4	#4	2'-0"	—
w1(E)	3	#4	13'-2"	—
w2(E)	3	#4	3'-6"	—
Item	Unit	Qty.		
Concrete Structures	Cu. Yd.	2.1		
Concrete Superstructure	Cu. Yd.	2.5		
Reinforcement Bars, Epoxy Coated	Pound	450		
Rustication Finish	Sq. Ft.	8		
Protective Coat	Sq. Yd.	9		

NOTES:

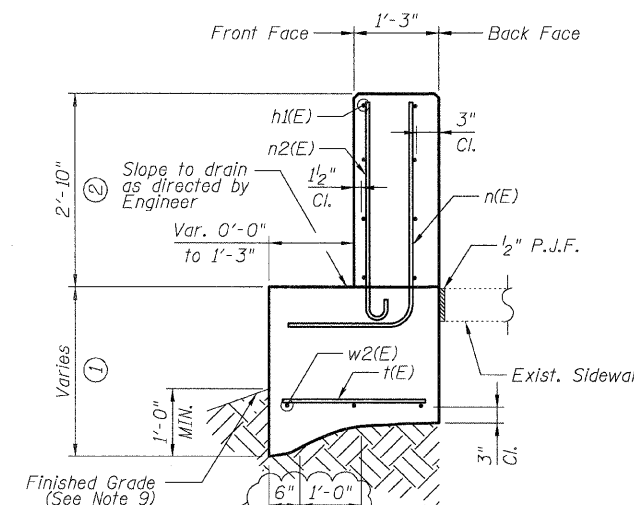
- All stations and offsets measured from S. Wentworth Ave. @.
- Back Face is face adjacent to Frontage Rd. and Front Face is face adjacent to Expressway.
- Concrete: f'c = 3500 psi
- Provide California Finish on top of foundation between stem and Frontage Road. See Roadway Details.
- At locations where Fluted Knee Wall abuts a rigid Structure, a 2" thick Preformed Expansion Joint Filler conforming to the shape of the Structure shall be installed between the Fluted Knee Wall and the Structure.
- Apply Protective Coat to top and back face of stem and top of Frontage Road side of foundation.
- For Fluted Knee Wall standard details, see Sheet SD-1
- B.F. = Back Face (Frontage Road Side)
F.F. = Front Face (Expressway Side)
E.F. = Each Face
- Shape finished grade as required to match existing conditions.
- P.J.F. included in cost of concrete structures.



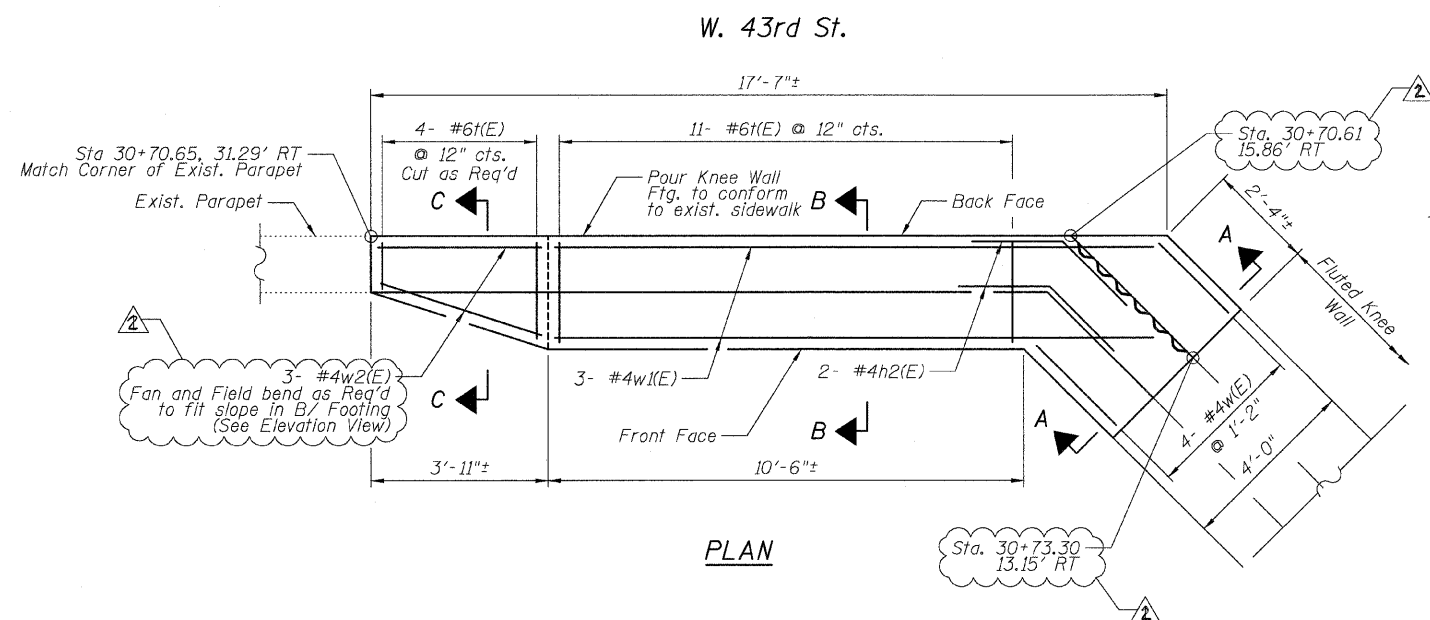
SECTION A-A



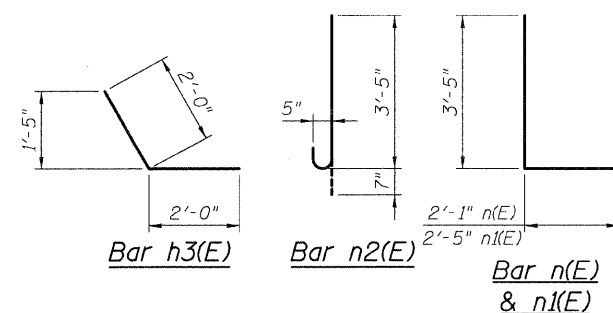
SECTION B-B



SECTION C-C



PLAN



BOWMAN, BARRETT & ASSOCIATES INC.
CONSULTING ENGINEERS
Chicago, Illinois
312.228.0100
www.bbainc.com

REVISIONS	
NAME	DATE
ADDENDUM 1	7-16-08

SHEET SD-2
ILLINOIS DEPARTMENT OF TRANSPORTATION
F.A.I. 94/90 (DAN RYAN EXPRESSWAY)
SOUTHBOUND KNEE WALLS (43RD ST TO ROOT ST)
DETAIL A
SCALE: NTS
DATE: 04/25/08
DRAWN BY: TL
CHECKED BY: BLU

6/16/2008 5:01:32 PM